

SINGER
107W14

LIST OF PARTS



MACHINE No. 107 w 14

INDEX

	Page
Accessories	14
Bobbin Winder	14
Knee Lifter	15
Machine No. 107w14	5
Numerical List of Parts	17

THE SINGER MANUFACTURING COMPANY

INSTRUCTIONS FOR ORDERING

In ordering from this list, use ONLY the PART number in the FIRST column.

The number stamped on a Sewing Machine Part is the number of the Single Part only, except when the part includes Set Screws, Clamping Screws, Studs and Rollers Spun on, Small Wires riveted, or Parts soldered together, etc., which it is necessary to furnish in combination.

Every combination of parts sent out has its specific number which, although not stamped on Parts (except in above case), must be used when ordering the combination.

Each number always indicates the SAME PART in whatever list it appears, or for whatever Machine.

The letters after some of the numbers indicate the style of finish only, as follows:

- A. Hardened, Polished, Nickel Plated and Buffed.
- B. Polished, Nickel Plated and Buffed.
- C. Hardened only.
- D. Polished only.
- E. Soft, not polished.
- F. Hardened and Polished.
- H. Blued.
- J. Nickel Plated only.
- R. Merlized.
- X. Black Oxide.
- XC. Hardened and Black Oxide.
- Y. Blade Nickel only.

These letters MUST BE USED when they appear in the list and AFTER the number, as in the list.

In this series:

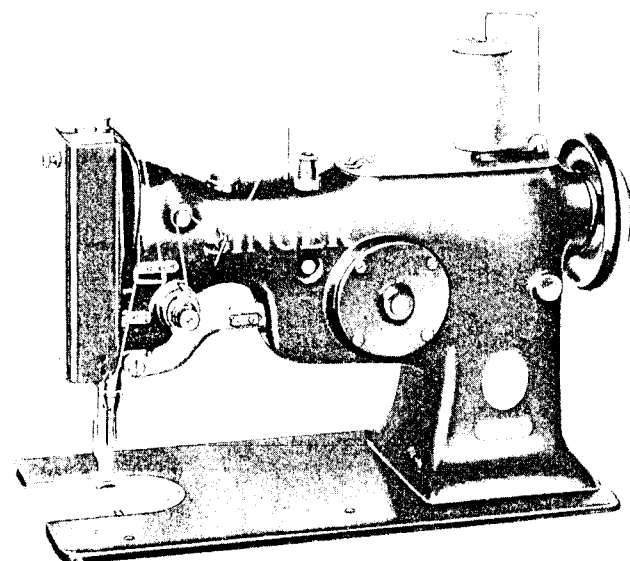
200001 to 201500 and 350001 to 351500 are Screw Numbers.
 201501 to 201800 and 351501 to 351800 are Nut Numbers.
 201801 to 202000 and 351801 to 352000 are Roller Numbers.
 202001 to 350000 are Numbers of Machine Parts.

The figures in the second column refer only to the plate in which the illustration of the part is shown and are NOT TO BE USED in ordering.

Two or more numbers over a cut indicate that the difference between such parts is not visible in an illustration.

Parts marked with an asterisk (*) are furnished when repairs are made at the factory.

LIST OF PARTS COMPLETE FOR



MACHINE No. 107 w14

ZIGZAG LOCK STITCH.
TRANSVERSE ROTARY HOOK.

The needle bar is set in a swinging frame hinged at the top and given lateral motion across the line of feed by an eccentrically driven pitman.

FOR STITCHING GORING IN SHOES MADE OF
STRETCHABLE MATERIAL.

No.	Plate	Name
*235295	-----	Arm with 202135
203087	16843	" Cap
200278H	16843	" " Screw
202248	16843	" " " Washer
203089	16843	" " Spool Holder Base
203090	16843	" " " " " " 203089 with 200079H and 204296
200585H	16843	Arm Cap Spool Holder Base Screw
204296	16843	" " " " " Wire
200079H	16843	" " " " " Hinge Screw
203088	16843	Arm Cap and Spool Holder complete, Nos. 203087, 203090 and two 200585H
204235	16826	Arm Position Pin (2)
200010E	16826	" Screw (2)

PARTS FOR MACHINE No. 107w14

No.	Plate	Name
200004E	16826	Arm Screw
202005	16826	" " Washer (3)
202249	16843	" Shaft with 200357E and 224392
240802	16843	" " Bushing (back) with 202244
202244	16843	" " " " Oil Packing (wick)
200338C	16843	" " " " Set Screw
207080	16843	" " " (front) with 202244
202244	16843	" " " " Oil Packing (wick)
200502B	16843	" " " " " " Thumb Screw
200341C	16843	Arm Shaft Bushing (front) Set Screw
210503	16826	" " Connection Belt
202635	16826	" " " " Pulley with 200327C, 200602E and two 202253
200602E	16826	Arm Shaft Connection Belt Pulley Position Screw
200327C	16826	Arm Shaft Connection Belt Pulley Set Screw
202253	16826	Arm Shaft Connection Belt Pulley Spring Flange
224392	16843	Arm Shaft Oil Packing (wick)
200357E	16843	" " " " Stop Screw
244063	16843	Balance Wheel (disc) (belt groove 2-1/8 in. diam.) with 200328C and 200335C
200328C	16843	Balance Wheel Position Screw
200335C	16843	" " Set Screw
*210504	-----	Bed
210844	16826	" Hinge Connection (2)
200060E	16826	" " " " Screw (4)
210505	16848	" Plate (back)
200577XC	16848	" " Screw (2)
210616	16848	" Slide (front)
210530	16829	Bobbin
210846	16829	" Case Base
210729	16829	" " Cap with 200592C, 201016F and 210845
210915	16829	Bobbin Case Cap complete, Nos. 200964C, 210729, 210736 and 210914
210913	16829	Bobbin Case Latch
210914	16829	" " " 210913 with 210734 and 210735
210735	16829	Bobbin Case Latch Fulcrum Pin
210734	16829	" " " Lever
210736	16829	" " " Spring
200964C	16829	" " " Stop Screw
210764	16827	" " Stop
200076D	16827	" " " Screw
210845	16829	" " Tension Spring

PARTS FOR MACHINE No. 107w14

No.	Plate	Name
201016F	16829	Bobbin Case Tension Spring Regulating Screw
200592C	16829	Bobbin Case Tension Spring Screw
210847	16829	Bobbin Case complete, Nos. 210846 and 210915
226999	16848	Edge Guide
200459B	16848	" " Thumb Screw
210681	16848	Face Plate
202135	16848	" " Position Pin
200462B	16848	" " Thumb Screw
210512	16827	Feed Bar
210513	16827	" " 210512 with 200641C, 201522E and 202623
200641C	16827	Feed Bar Hinge Screw (driving)
201522E	16827	" " " " Nut
202276	16827	" " Slide Block
210514	16827	" " " " Crank with 200035E
210515	16827	" " " " " 210514 with 200253D, 201531E and 202276
200035E	16827	Feed Bar Slide Block Crank Pinch Screw
200253D	16827	" " " " Hinge Screw
201531E	16827	" " " " " " Nut
210516	16849	" Dog
200106E	16849	" " Screw (2)
202297	16826	" Driving Connection with 200054E and 202277
202624	16827	Feed Driving Connection Crank with 200038C
200038C	16827	Feed Driving Connection Crank Pinch Screw
200545C	16826	" " " " Hinge Screw
201518E	16826	" " " " " Nut
202277	16826	" " " " Oil Packing (wick)
200054E	16826	" " " " Pinch Screw
202300	16826	" " Eccentric Regulating Bracket
203098	16826	" " " " " "
		202300 with 202635, two each 201014C and 201525E
201014C	16826	Feed Driving Eccentric Regulating Bracket Hinge Screw
201525E	16826	Feed Driving Eccentric Regulating Bracket Hinge Screw Nut
202301	16826	Feed Driving Eccentric Regulating Bracket Plunger
202595	16826	Feed Driving Eccentric Regulating Bracket Plunger Spring
200607C	16826	Feed Driving Eccentric Regulating Bracket Plunger Spring Stop Screw
201014C	16826	Feed Driving Eccentric Regulating Bracket Stop Screw

No.	Plate	Name
201525E	16826	Feed Driving Eccentric Regulating Bracket Stop Screw Nut
200429C	16826	Feed Driving Eccentric Regulating Screw
200383C	16826	" " " " " "
		Check Screw
202623	16827	Feed Driving Rock Shaft
202625	16827	" " " " Stop Collar with two 200383C (2)
200383C	16827	Feed Driving Rock Shaft Stop Collar Set Screw
202306	16826	Feed Lifting Connection with 200054E and 202277
*210645	-----	Feed Lifting Connection Crank
210589	16827	" " " " 210645 with 200050C and 200378C
200050C	16827	Feed Lifting Connection Crank Pinch Screw
200378C	16827	" " " " Set Screw
202307	16843	" " " Eccentric with 200382C and 200437C
200437C	16843	Feed Lifting Connection Eccentric Position Screw
200382C	16843	Feed Lifting Connection Eccentric Set Screw
200545C	16826	Feed Lifting Connection Hinge Screw
201518E	16826	" " " " " Nut
202277	16826	" " " Oil Packing (wick)
200054E	16826	" " " Pinch Screw
210531	16827	" " Rock Shaft (hollow) and Hook Driving Shaft Bearing
202625	16827	Feed Lifting Rock Shaft Stop Collar with two 200383C
200383C	16827	Feed Lifting Rock Shaft Stop Collar Set Screw
202310	16843	Feed Regulating Spindle with 202311, 202443 and 202619
*202311	-----	Feed Regulating Spindle Head
202443	16843	" " " " Pin
202619	16843	" " " " Position Pin
*210532	16829	Hook (sewing)
210533	16829	" 210532 with 200145C, 203101, 210536, 210541 and three 200596F
210775	16829	Hook and Bobbin Case complete, Nos. 210533 and 210847
210614	16827	Hook Driving Bevel Pinion (steel), 24 teeth, with two 200378C
200378C	16827	Hook Driving Bevel Pinion Set Screw
210535	16827	" " " " Shaft

No.	Plate	Name
202661	16827	Hook Driving Bevel Pinion Shaft Belt Pulley with 202324 and two 200378C
200378C	16827	Hook Driving Bevel Pinion Shaft Belt Pulley Set Screw
202324	16827	Hook Driving Bevel Pinion Shaft Belt Pulley Spring Flange
210536	16829	Hook Gib
200596F	16829	" " Screw
203101	16829	" Oil Wick
200915F	16827	" Position Screw
210537	16827	" Shaft (hollow)
210615	16827	" " Bevel Gear (steel), 24 teeth, with two 200382C
200382C	16827	Hook Shaft Bevel Gear Set Screw
210539	16827	" " Bushing
210621	16827	" " " 210539 with 210537 and 350314F
200335C	16827	Hook Shaft Bushing Set Screw
200363C	16827	" " " " " "
202355	16827	" " " " " Packing (brass)
350314F	16827	Hook Shaft Position Screw
210541	16829	" Washer Needle Guard
200145C	16829	" " " " Screw
237837	16848	Knee Lifter Connection Lever
210876	16848	" " " " 237837 with 202447, 210875 and two 200262H
200262H	16848	Knee Lifter Connection Lever Hinge Screw
202447	16848	" " " " Lifting Rod with 202302
202302	16848	Knee Lifter Connection Lever Lifting Rod Cotter Pin
210875	16848	Knee Lifter Lifting Lever
200262H	16848	" " " " Hinge Screw
202976	16845	Needle Bar with 200141F
210543	16845	" " Connecting Link
202333	16845	" " " " Stud with 202254
202254	16845	" " " " " Oil Packing (wick)
200383C	16845	Needle Bar Connecting Link Stud Set Screw
200374C	16845	" " " " " " " "
210544	16845	" " " " Stud with 202277
210585	16845	" " " " 210544 with 210882
202277	16845	Needle Bar Connecting Stud Oil Packing (wick)
210882	16845	Needle Bar Connecting Stud Swivel with 200387C

No.	Plate	Name
210725	16845	Needle Bar Crank with 200335C, 200374C, 200383C, 200428C and 202333
203172	16845	Needle Bar Crank Friction Washer
200428C	16845	" " " Position Screw
200335C	16845	" " " Set Screw
210883	16845	Needle Bar Crank complete, Nos. 202399, 202400, 210543, 210585, 210725 and 244059
210546	16845	Needle Bar Frame with 200070C
210542	16845	" " " 210546 with 202976
210547	16845	" " " Guide Stud
200334C	16845	" " " " Set Screw
210548	16845	" " " Hinge Stud
200334C	16845	" " " " Set Screw
235208	16844	" " " Pitman
235296	16844	" " " " Fork
200066D	16844	" " " " Screw
207125	16844	" " " " Washer
202277	16844	" " " " Oil Packing (wick)
205975	16844	" " " " Spring
235210	16844	" " " " Bracket
200247F	16844	" " " " Hinge Screw
201528E	16844	Needle Bar Frame Pitman Spring Bracket Hinge Screw Nut
235211	16844	Needle Bar Frame Pitman Spring Collar
201471B	16844	" " " " Regulating Thumb Screw
201673D	16844	Needle Bar Frame Pitman Spring Regulating Thumb Screw Check Nut
235224	16844	Needle Bar Frame Pitman Stud (eccentric)
200070C	16845	" " " " Set Screw
235297	16844	Needle Bar Frame Pitman complete, Nos. 200247F, 201528E, 202277, 207125, 210712, 224353, 235208, 235210, 235296, two each 200066D, 200919C and 201522E
200387C	16845	Needle Bar Set Screw
200141F	16845	" Set Screw
235298	16844	Vibrator Cam with 200378C and 200383C
200378C	16844	Needle Vibrator Cam Set Screw
200383C	16844	" " " " "
210718	16844	" " " Shaft
210551	16844	" " " " Bearing and Cover
200566D	16844	Needle Vibrator Cam Shaft Bearing and Cover Screw (4)
210559	16844	Needle Vibrator Cam Shaft Collar with two 200378C

No.	Plate	Name
200378C	16844	Needle Vibrator Cam Shaft Collar Set Screw
210712	16844	Needle Vibrator Crank with 200378C and 200917C
224353	16844	Needle Vibrator Crank Link
200919C	16844	" " " " Hinge Screw
201522E	16844	" " " " " Nut
210723	16844	" " " " Oil Tube
200917C	16844	" " " Position Screw
200378C	16844	" " " Set Screw
210711	16844	" " " Shaft
210770	16844	" " Regulating Lever with 200378C and 200917C
242052	16844	Needle Vibrator Regulating Lever Position Bracket (indexed) with 200378C, 200917C two each 200326C and 201531E
200917C	16844	Needle Vibrator Regulating Lever Position Bracket Position Screw
200378C	16844	Needle Vibrator Regulating Lever Position Bracket Set Screw
200326C	16844	Needle Vibrator Regulating Lever Position Bracket Stop Screw
201531E	16844	Needle Vibrator Regulating Lever Position Bracket Stop Screw Nut
200917C	16844	Needle Vibrator Regulating Lever Position Screw
200378C	16844	Needle Vibrator Regulating Lever Set Screw
210772	16844	" " " " Slide
201556D	16844	" " " " " Thumb Nut
266034	16843	Needle Vibrator Worm with two 200382C
266035	16844	" " " " Gear with two 200382C
235299	16844	" " " " Friction Washer
200382C	16844	" " " " Set Screw
200382C	16843	" " " " Set Screw
244033	16846	Presser Bar (hollow)
202335	16846	" " 244033 with 200074F
207072	16846	" " Bushing
200352C	16846	" " " Set Screw
202554	16846	" " Lifter
200653C	16846	" " " Hinge Screw
210789	16846	" " Lifting Releasing Lever Bracket
200260D	16846	" " " " "
		Guide Screw
206608	16846	Presser Bar Lifting Releasing Lever Bracket Spring (spiral)
202337	16846	Presser Bar Position Guide

No.	Plate	Name
202338	16846	Presser Bar Position Guide Lever with 200086F
200086F	16846	Presser Bar Position Guide Lever Pinch Screw
200352C	16846	Presser Bar Position Guide Set Screw
202378	16846	" " Spring (heavy)
202346	16846	" " Stop Rod
200492B	16846	" " Thumb Screw (pressure regulating)
200475B	16846	Presser Bar Thumb Screw Thumb Set Screw
202355	16846	" " " " " " " "
		Packing (brass)
230795	16849	Presser Foot Hinge Pin
203027	16849	" " Plate
200074F	16846	" " Screw
210620	16849	" " Shank
210562	16849	Presser Foot (hinged) complete, Nos. 203027 210620 and 230795
244059	16845	Take-up Lever
202399	16845	" " Driving Stud with 202277
202277	16845	" " " " Oil Packing (wick)
202400	16845	Take-up Lever Hinge Stud with 202423
202423	16845	" " " " Oil Packing (wick)
200383C	16845	Take-up Lever Hinge Stud Set Screw
202401	16846	" " Oiling Felt
200132E	16846	" " " " Screw
244048	16847	Tension Disc (back)
244049	16847	" " (front)
202404	16846	" Release Plunger
244061	16847	" " Washer
202407	16847	" Spring
263106	16847	" " Washer
200625F	16847	" Stud with 204925
200061C	16847	" " Set Screw
204925	16847	" " Washer
201572B	16847	" † Thumb Nut
244062	16847	Tension complete, Nos. 200625F, 201572B, 202407, 202410, 244048, 244049, 244061 and 263106
202410	16847	Thread Controller Spring
202411	16847	" " " Stop
200132E	16847	" " " " Screw
224387	16845	" Guide
210954	16847	" " (lower)
210955	16847	" " (upper)
210595	16847	" " (on side of arm)

No.	Plate	Name
202412	16843	Thread Guide (on top of arm)
200582H	16847	" " Screw (3)
200172H	16845	" " "
210960	16847	" Retainer Disc
210961	16847	" " Plunger
210962	16847	" " Spring
210963	16847	" " Socket
200389C	16847	" " Set Screw
235300	16849	Throat Plate, 53 needle hole, for needle sizes 12 and 13, for 1/4 in. strip
200577XC	16849	Throat Plate Screw (2)

**Genuine Singer Needles should be used
in Singer Machines.
These Needles and their Containers
are marked with the
Company's Trade Mark "SIMANCO." 1**

**Needles in Containers marked
"For Singer Machines"
are not Singer made needles. 2**

ACCESSORIES

No.	Plate	Name
210530	16829	Bobbin (5)
*225482	-----	" Case Screw Driver Blade
*225483	-----	" " " " Handle
225497	13067	Bobbin Case Screw Driver complete, Nos. 225482 and 225483
135 x 7	16845	Needles, six, size 12
228212	15998	Drip Pan with four 1 in. nails
41400	13067	Machine Rest Pin (wood)
120342	13067	Oiler (copper plated) with 120343
120343	13067	" Spout, 3-1/2 in. long
225498	13067	Screw Driver complete (7-1/4 in. long)
225554	13067	Wrench (steel)

BOBBIN WINDER

(SWINGING AUTOMATIC, RIGHT HAND)

259428	16615	Brake (leather)
259429	16615	" Clamp
200113F	16615	" " Screw
225453	16615	Frame with 202277 and 225438
225454	16615	" Hinge Pin
202277	16615	" Oil Packing (wick)
225438	16615	" " Well Cap
225455	16615	" Spring
225456	16615	" " Plunger
225368	16615	Pulley with 200380C
200380C	16615	" Set Screw
225381	16615	Spindle
225444	16615	Stop Latch
200056E	16615	" " Screw
225458	16615	" " Thumb Lever
225459	16615	" " " " Hinge Stud
225459	16615	" " " " Joint Stud
202478	16615	" " Trip Lever
200299H	16615	" " " " Hinge Screw
225461	16615	Tension Bracket with 201499B
200082D	16615	" " Screw

No.	Plate	Name
228026	16615	Tension Bracket Screw Washer
2102	16615	" Disc
13710	16615	" Spring
201499B	16615	" Stud
201572B	16615	" " Thumb Nut
225462	16615	Bobbin Winder Tension Bracket complete, Nos. 13710, 201572B, 225461 and two 2102
259430	16615	Bobbin Winder and Tension Bracket Base
259431	16615	Universal Bobbin Winder complete, Nos. 200056E, 200082D, 200113F, 200299H, 202478, 225368, 225381, 225444, 225453 to 225456, 225458, 225462, 228026, 259428 to 259430, two each 225459 and wood screws 3/4 in. No. 12, R.H.B.

KNEE LIFTER

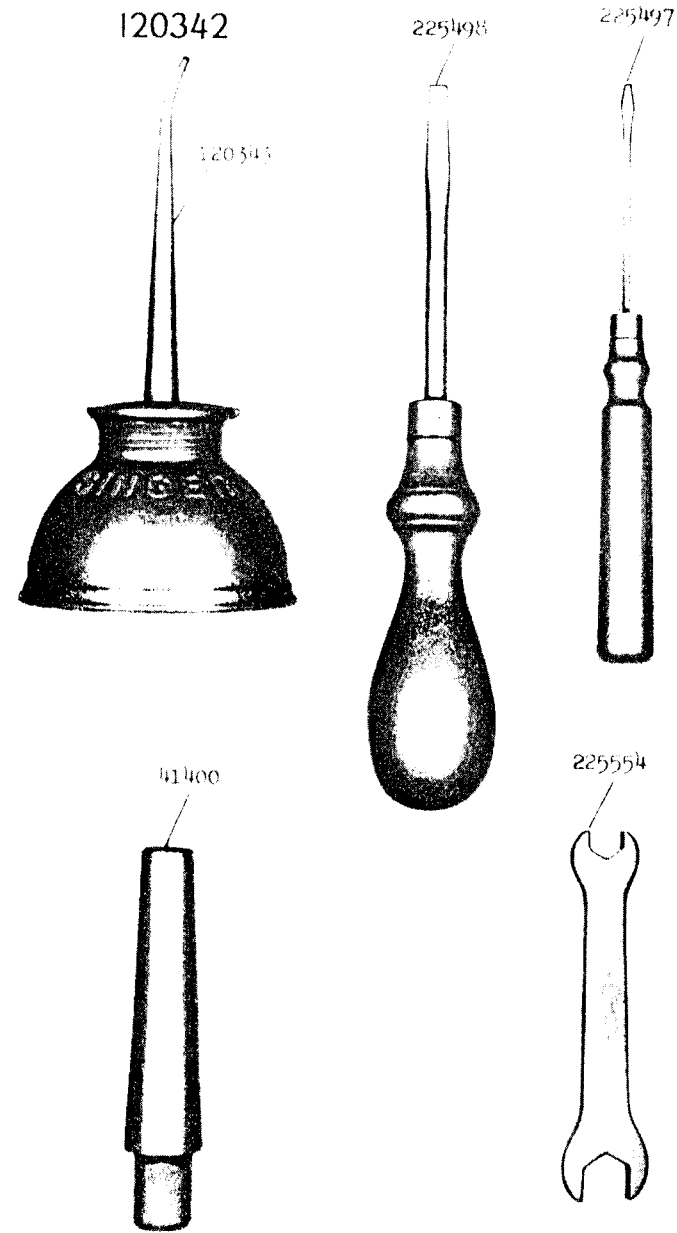
228359	16643	Rock Lever with two 350231C
228360	16643	" " Bracket with 200347C and three wood screws 7/8 in., No. 12
228361	16643	Rock Lever Bracket 228360 with 228359, 228363, 228367 and 228386
228362	16643	Rock Lever Extension with 200529C
350231C	16643	" " " " Set Screw
228363	16643	" " Hinge Pin
228364	16643	" " Knee Plate with 350231C
228369	16643	" " " " Arm
350231C	16643	" " " " Set Screw
350231C	16643	" " " " Set Screw
228365	16643	" " Rod
200529C	16643	" " " Set Screw
228386	16643	" " Spring
228367	16643	" " Stop Stud
200347C	16643	" " " " Set Screw
228368	16643	Knee Lifter complete, Nos. 228361, 228362, 228364, 228365 and 228369

(Other Knee Lifter parts are listed with parts of machine head.)

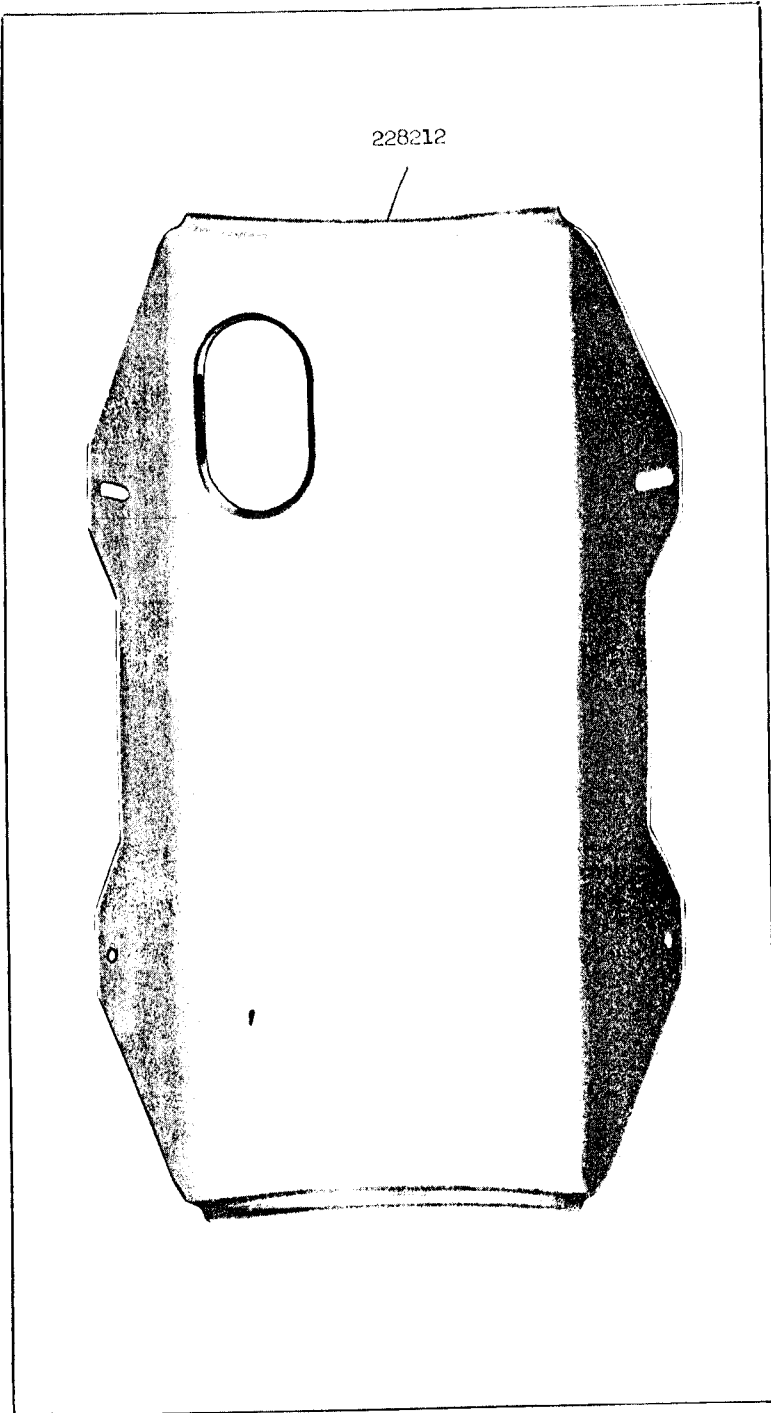
13067 - 1/2

Genuine Singer Needles should be used
in Singer Machines.
These Needles and their Containers
are marked with the
Company's Trade Mark "SIMANCO." 1

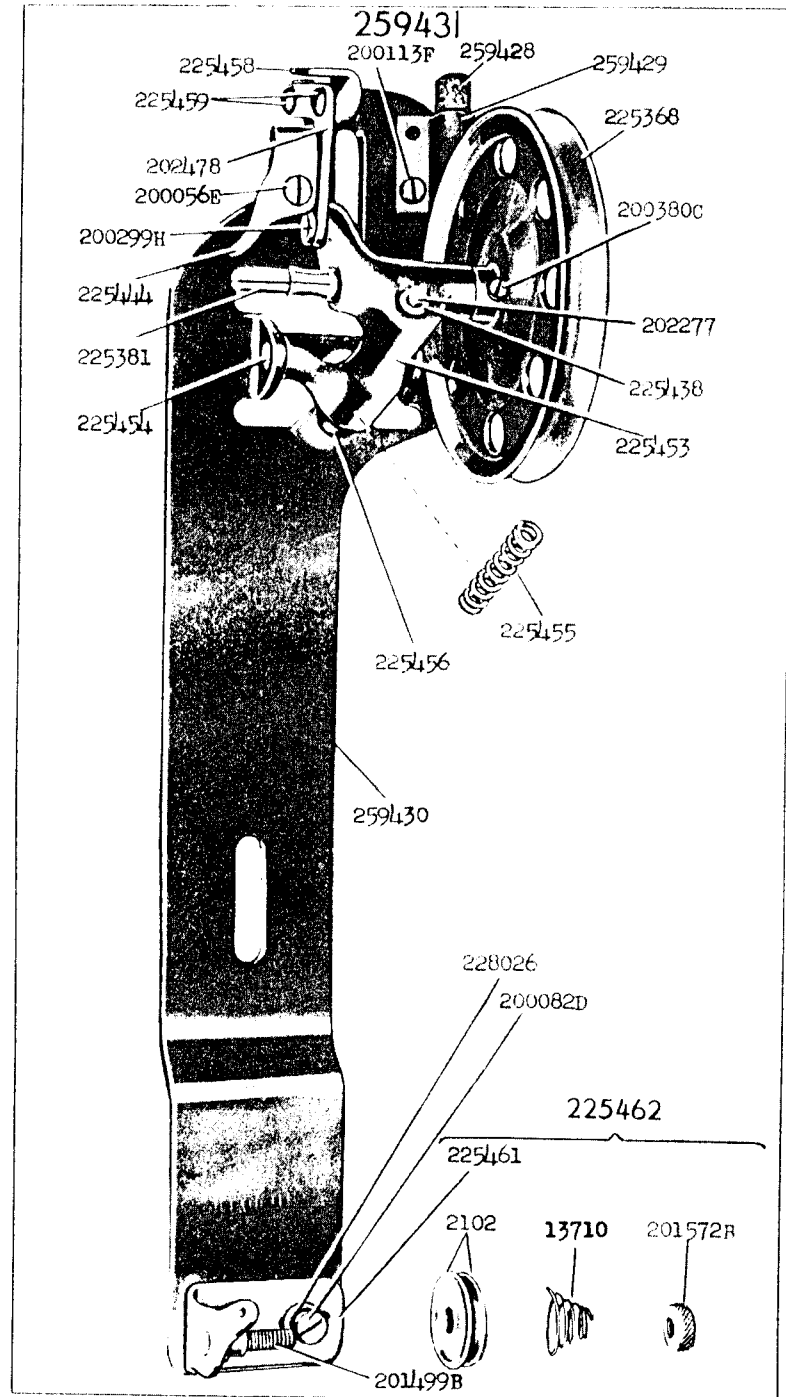
Needles in Containers marked
"For Singer Machines"
are not Singer made needles. 2



15998 - 3/8

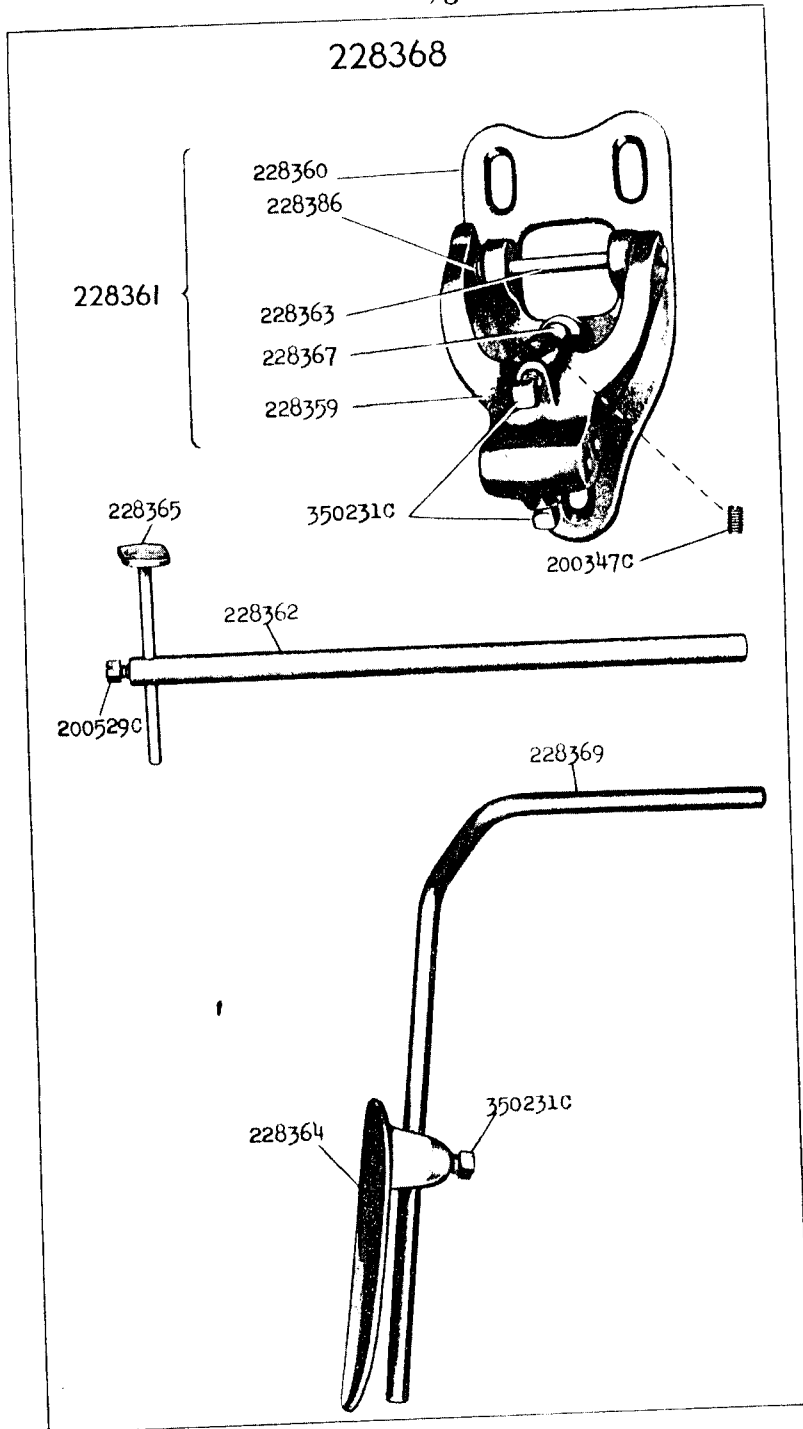


16615 - 1/2



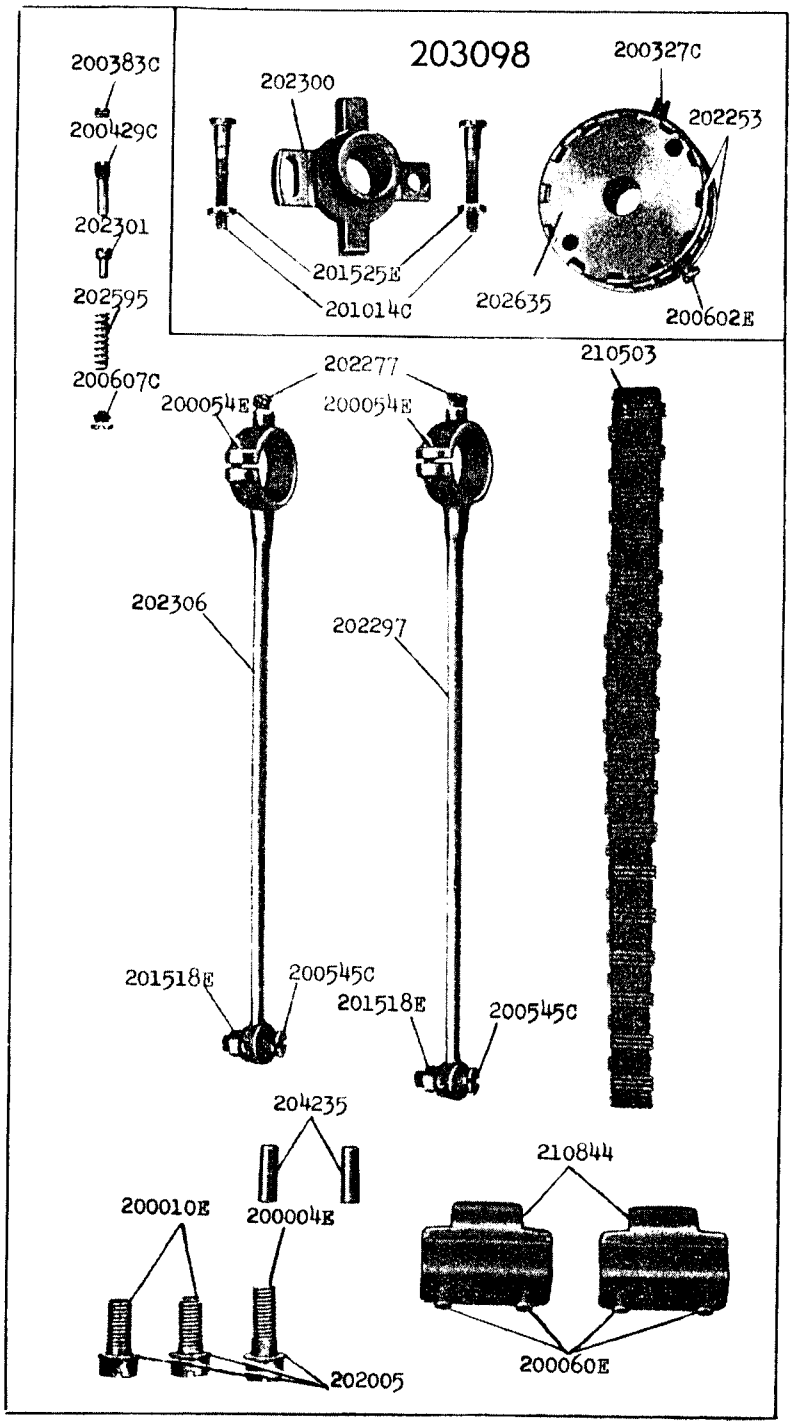
16643 - 3/8

228368

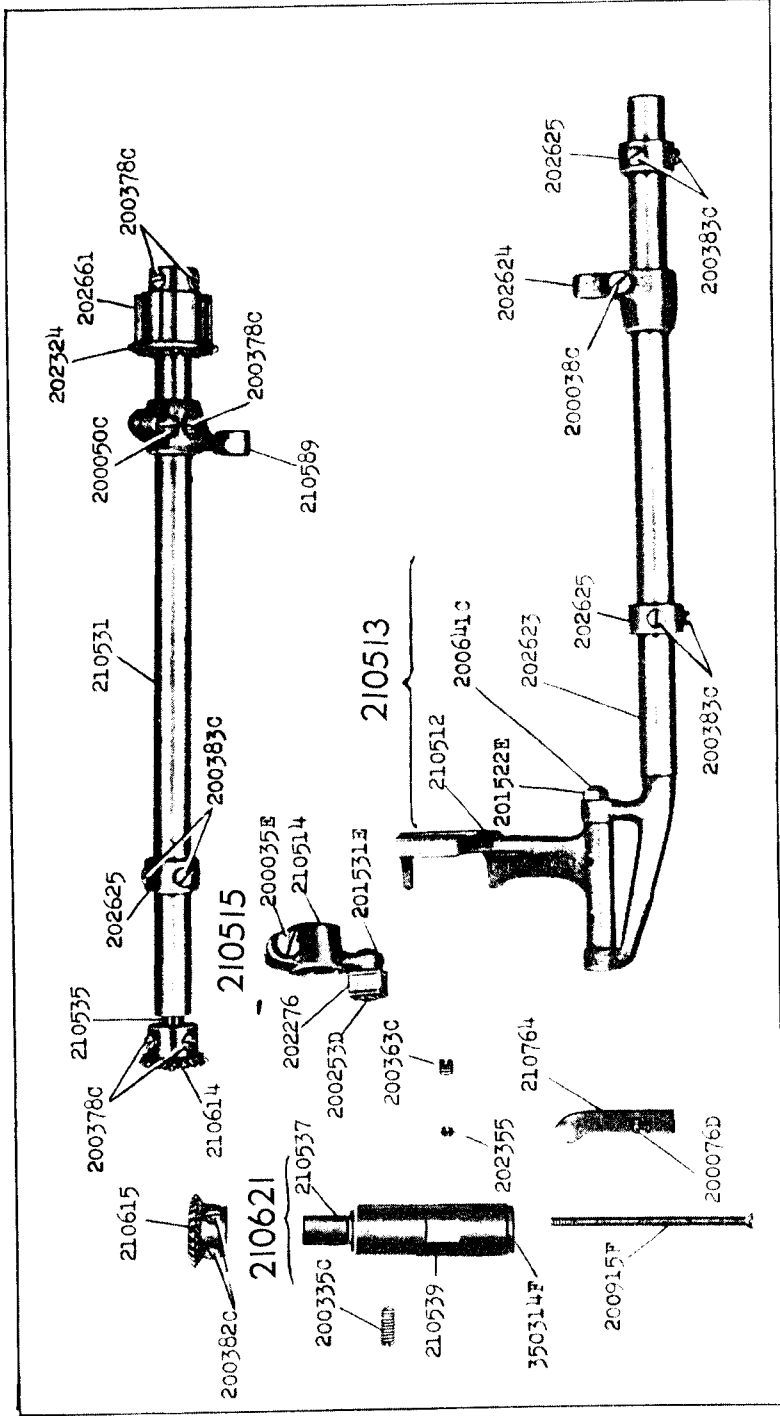


16826 - 3/8

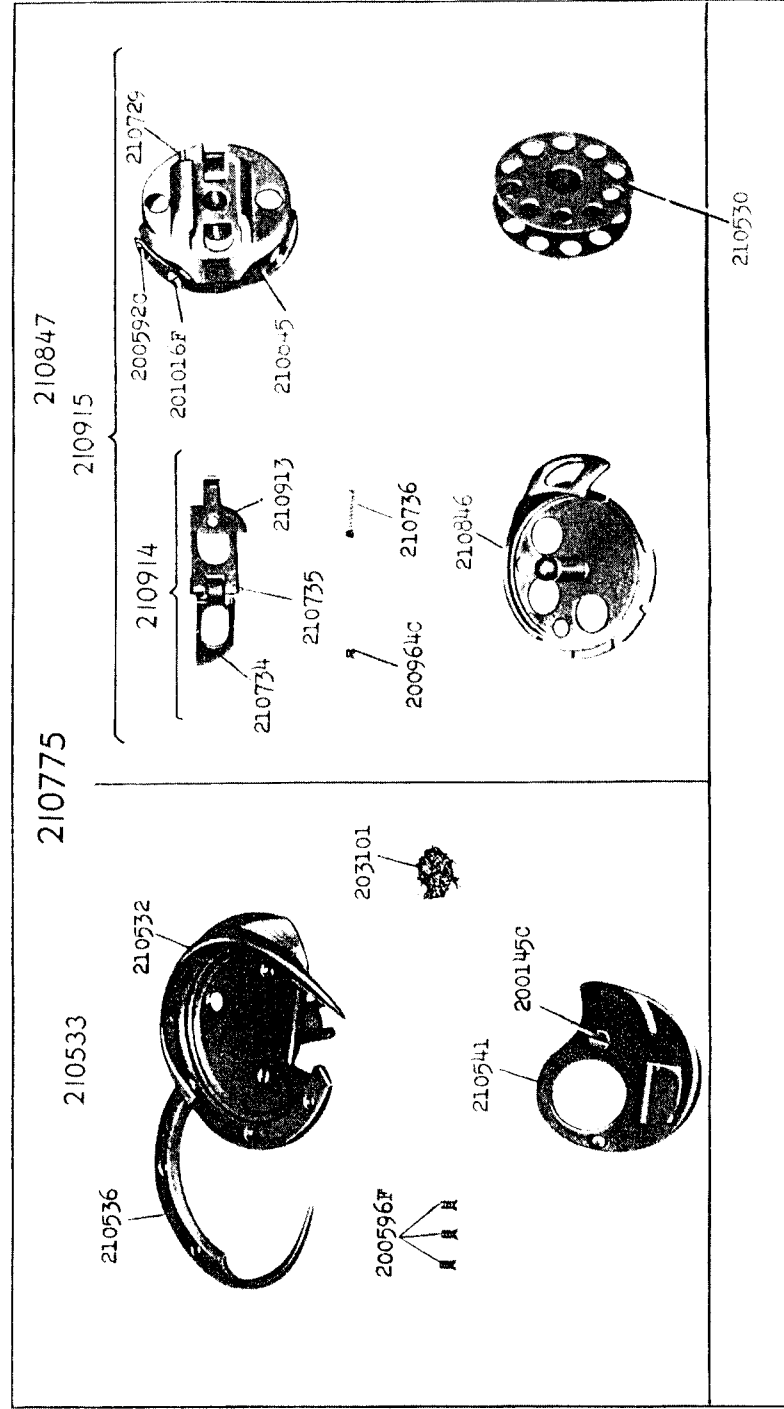
203098



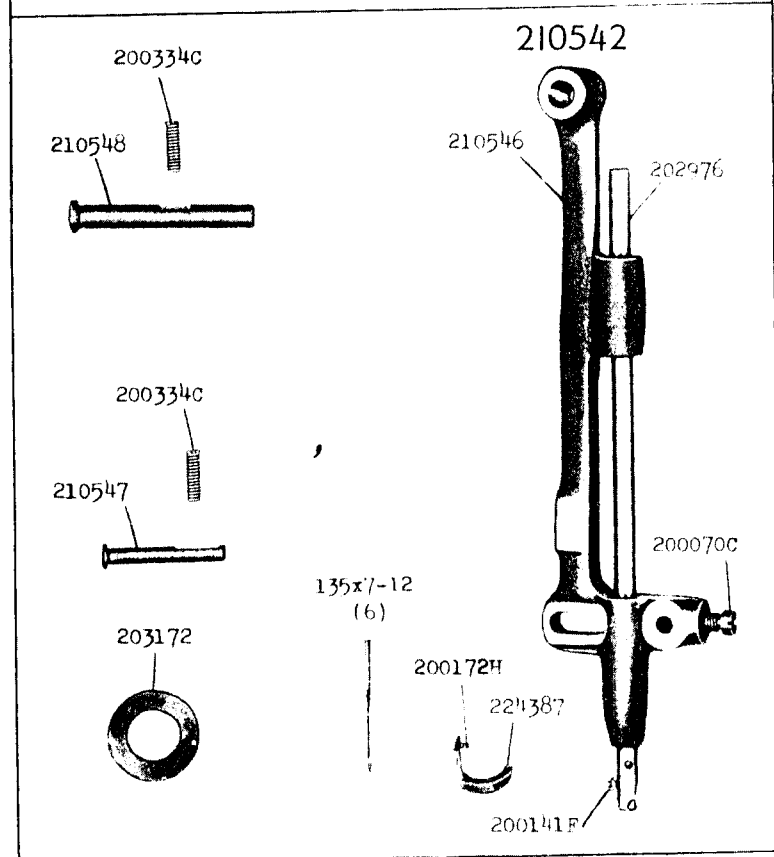
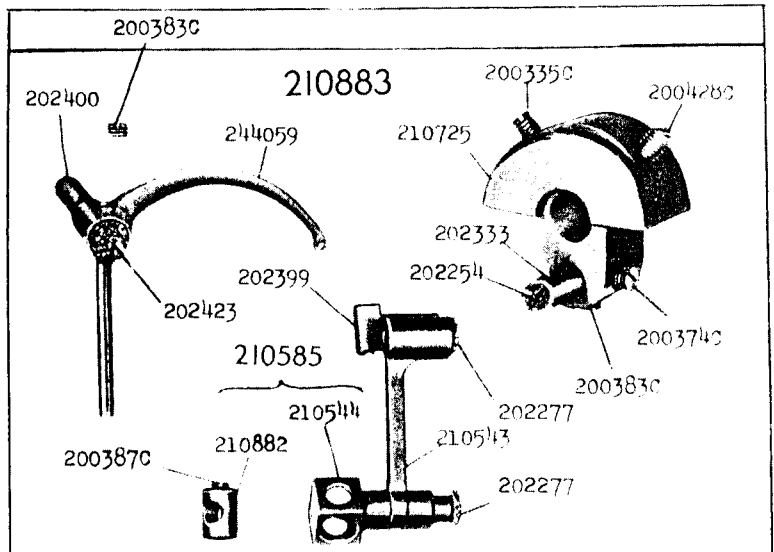
16827 - 3/8



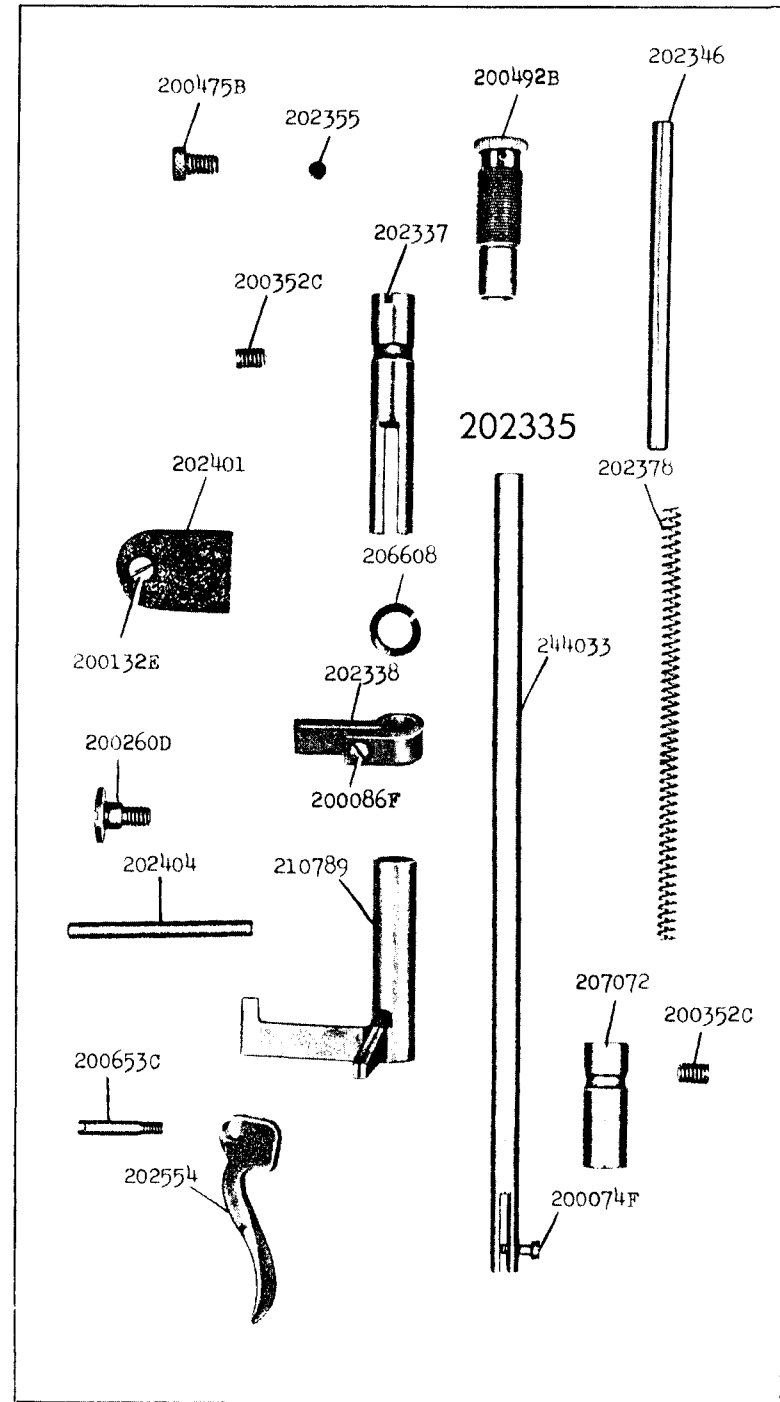
16829 - 3/4



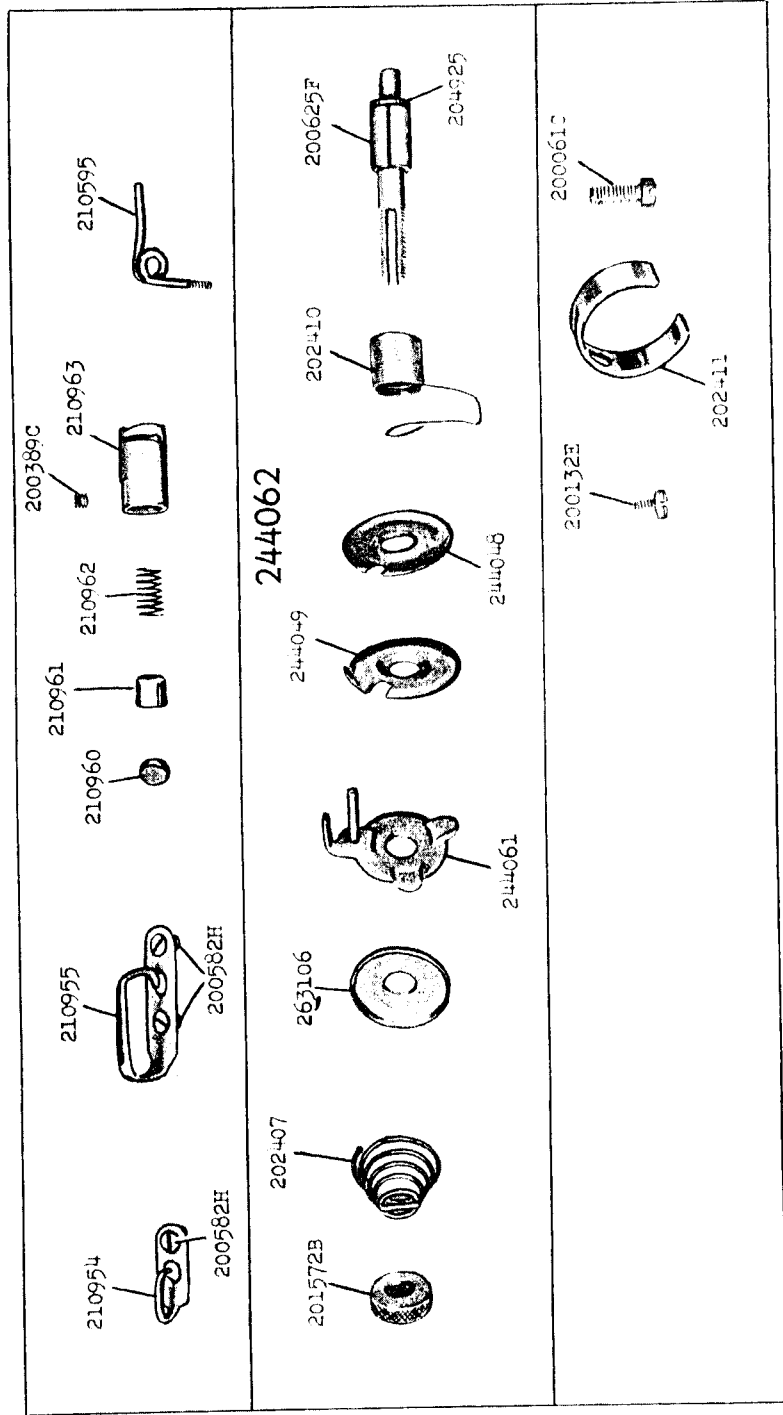
16845 - 1/2



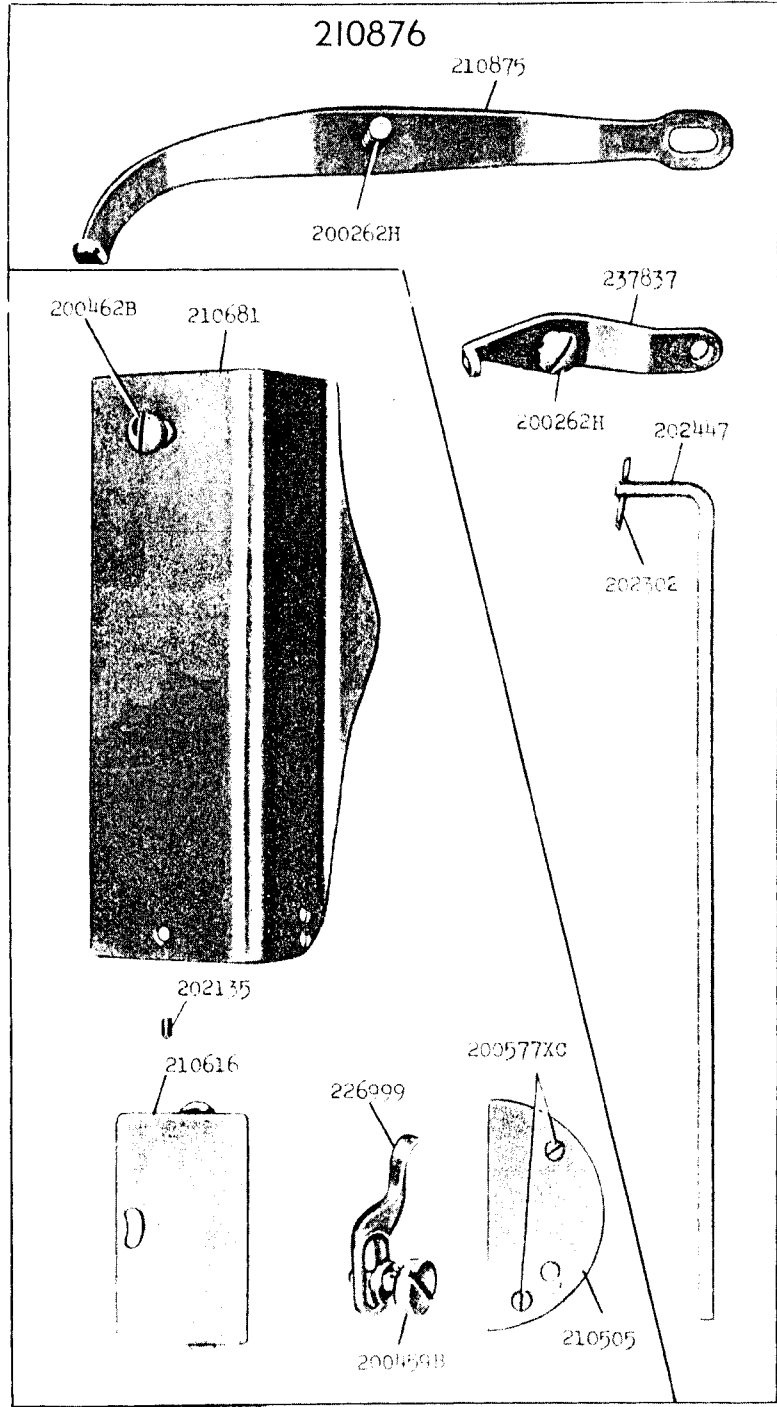
16846 - 1/2



16847 - 2/3



16848 - 1/2



16849

