

SINGER
110W151

LIST OF PARTS



MACHINE No. 110w151

INDEX

	Page
Accessories	14
Bobbin Winder	14
Feed Regulating Gears	15
Foot Lifter	15
Machine No. 110w151	5
Numerical List of Parts	17
Work Plate Platform	16

THE SINGER MANUFACTURING COMPANY

INSTRUCTIONS FOR ORDERING

In ordering from this list, use ONLY the PART number in the FIRST column.

The number stamped on a Sewing Machine Part is the number of the Single Part only, except when the part includes Set Screws, Clamping Screws, Studs and Rollers Spun on, Small Wires riveted, or Parts soldered together, etc., which it is necessary to furnish in combination.

Every combination of parts sent out has its specific number which, although not stamped on Parts (except in above case), must be used when ordering the combination.

Each number always indicates the SAME PART in whatever list it appears, or for whatever Machine.

The letters after some of the numbers indicate the style of finish only, as follows:

- A. Hardened, Polished, Nickel Plated and Buffed.
- B. Polished, Nickel Plated and Buffed.
- C. Hardened only.
- D. Polished only.
- E. Soft, not polished.
- F. Hardened and Polished.
- H. Blued.
- J. Nickel Plated only.
- R. Merlized.
- X. Black Oxide.
- XC. Hardened and Black Oxide.
- Y. Blade Nickel only.

These letters MUST BE USED when they appear in the list and AFTER the number, as in the list.

In this series:

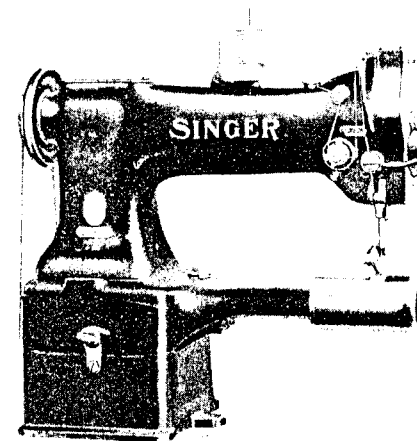
200001 to 201500 and 350001 to 351500 are Screw Numbers.
201501 to 201800 and 351501 to 351800 are Nut Numbers.
201801 to 202000 and 351801 to 352000 are Roller Numbers.
202001 to 350000 are Numbers of Machine Parts.

The figures in the second column refer only to the plate in which the illustration of the part is shown and are NOT TO BE USED in ordering.

Two or more numbers over a cut indicate that the difference between such parts is not visible in an illustration.

Parts marked with an asterisk (*) are furnished when repairs are made at the factory.

LIST OF PARTS COMPLETE FOR



MACHINE No. 110w151

LEFT HAND CYLINDER MACHINE. VERTICAL HOOK.
ROLLER PRESSER. CONTINUOUS WHEEL FEED.

For Close Edge Stitching on Fine Shoes.

No.	Plate	Name
*239001	-----	Arm with 202135
202247	16751	" Cap
200278H	16751	" " Screw
202248	16751	" " " Washer
204235	16758	" Position Pin (2)
200010E	16758	" Screw (2)
200004E	16758	" "
202005	16758	" " Washer (3)
237702	16751	" Shaft with 224392 and 350431E
237748	16751	" " Bushing (back) with 202260
202260	16751	" " " " Oil Packing (wick)
200071E	16751	" " " " Screw (3)
239062	16751	" " " (front) with 202244
202244	16751	" " " " Oil Packing (wick)
200502B	16751	" " " " " Thumb
		Screw
200338C	16751	Arm Shaft Bushing (front) Set Screw

No.	Plate	Name
224392	16751	Arm Shaft Oil Packing (wick)
350431E	16751	" " " " Stop Screw
202632	16758	" Side Plate
200462B	16758	" " " Thumb Screw
237784	16751	Balance Wheel (disc) (belt groove 2-3/8 in.diam.) with 200328C and 200335C
350419H	16751	Balance Wheel Adjusting Screw
200328C	16751	" " Position Screw
200335C	16751	" " Set Screw
*239101	-----	Bed (cylinder)
239003	16759	" " End Cover
213312	16759	" Base (4 in.high)
213313	16759	" " (6 in.high)
Note: Bed Base 213313 furnished only when ordered.		
203184	16759	Bed Clamp
200262H	16759	" " Hinge Screw
202622	16759	" " Packing Washer
200728B	16759	" " Thumb Screw
203185	16759	" " Washer
202618	16759	" Hinge
200030H	16759	" " Screw (6)
239102	16759	" Slide (back)
239004	16759	" " " Clamp Plate (back)
239005	16759	" " " " (front)
200582H	16759	" " " " " Screw (4)
203470	16753	Bobbin
*235099	-----	" Case
203648	16753	" " Latch
*202056	-----	" " " Pin
203473	16753	" " " Plunger
203474	16753	" " " Spring
239006	16753	" " Lever
*203476	-----	" " " Eccentric
204243	16753	" " " " Position Pin
203577	16753	" " " Fulcrum with 203579
200110D	16753	" " " " Screw
203578	16753	" " " Slide
203579	16753	" " " Stud
241674	16753	" " Oiling Felt
241675	16753	" " " Retainer
350405C	16753	" " " " Screw
203214	16753	" " Tension Spring
200984C	16753	" " " " Regulating Screw
200594C	16753	" " " " Screw
203216	16753	" " Washer (cloth)
235100	16753	Bobbin Case complete, Nos. 200594C, 200984C, 202056, 203214, 203216, 203473, 203474, 203648, 235099, 241674, 241675 and two 350405C
239007	16753	Cylinder End Cover Rest

No.	Plate	Name
200110D	16753	Cylinder End Cover Rest Screw
239070	16758	Face Plate with 201650H and 350432XC
202135	16758	" " Position Pin
200473B	16758	" " Thumb Screw
239009	16752	Feed Driving Gear Shaft
239028	16752	" " " " Bushing (back)
239010	16752	" " " " " (front)
200347C	16752	" " " " " Set Screw
(back)		
200325C	16752	Feed Driving Gear Shaft Bushing Set Screw (front)
221743	16752	Feed Driving Gear Shaft Collar with two 200380C
200380C	16752	Feed Driving Gear Shaft Collar Set Screw
239020	16752	" " " " Driving Gear, 25 teeth, with 200382C and 201220C, for 12-1/2 to 23 stitches per inch
239013	16752	Feed Driving Gear Shaft Driving Gear Guard
200030H	16752	Feed Driving Gear Shaft Driving Gear Guard Screw
201220C	16752	Feed Driving Gear Shaft Driving Gear Position Screw
200382C	16752	Feed Driving Gear Shaft Driving Gear Set Screw
239015	16752	Feed Driving Gear Shaft Pinion, 19 teeth, with 200382C and 201220C
201220C	16752	Feed Driving Gear Shaft Pinion Position Screw
200382C	16752	Feed Driving Gear Shaft Pinion Set Screw
237724	16752	" " Worm Gear with 200378C and 201220C
201220C	16752	Feed Driving Worm Gear Position Screw
200378C	16752	" " " " Set Screw
239016	16752	" " " " Shaft
239017	16752	" " " " Bushing
200346C	16754	" " " " " Set Screw
239027	16752	Feed Regulating Counter Shaft
239028	16752	" " " " Bushing
200363C	16752	" " " " " Set Screw
239021	16752	Feed Regulating Counter Shaft Gear, 26 teeth with 200382C and 201220C
201220C	16752	Feed Regulating Counter Shaft Gear Position Screw
200382C	16752	Feed Regulating Counter Shaft Gear Set Screw
239023	16752	Feed Regulating Gear, 28 teeth, with 200382C and 201220C

No.	Plate	Name
201220C	16752	Feed Regulating Gear Position Screw
200382C	16752	" " " " Set Screw
239103	16752	" Wheel
239030	16752	" " Bracket
200432C	16752	" " " Adjusting Screw (2)
200388C	16752	" " " " " Check Screw (2)
239104	16753	Feed Wheel Bracket Position Plate
200156E	16753	" " " " " " Screw
239032	16752	" " Gear
200083E	16752	" " Screw (2)
239040	16758	Foot Lifter Lifting Lever
200262H	16758	" " " " Hinge Screw
239063	16758	" " " " Spring
200835D	16758	" " " " " Screw
*203482	16753	Hook (sewing)
237726	16753	" 203482 with 201253F, 201376F and 221148
239076	16753	Hook and Bobbin Case complete, Nos. 235100 and 237726
203596	16753	Hook Bevel Gear Socket, 18 teeth
239033	16753	" " " " Bushing
200446C	16753	" " " " " Position Screw
200556H	16753	Hook Bevel Gear Socket Screw
239034	16752	" " Pinion with two 350171C
350171C	16752	" " " " Set Screw
239035	16752	" Driving Shaft
235857	16752	" " " Bevel Gear with 200374C and 200396C
239036	16754	Hook Driving Shaft Bevel Gear Housing with three 200346C
237730	16754	Hook Driving Shaft Bevel Gear Housing Cap (bottom)
237731	16754	Hook Driving Shaft Bevel Gear Housing Cap (bottom) Gasket
237732	16754	Hook Driving Shaft Bevel Gear Housing Cap (side)
237733	16754	Hook Driving Shaft Bevel Gear Housing Cap (side) Gasket
200053C	16754	Hook Driving Shaft Bevel Gear Housing Cap Screw (4)
201082E	16754	Hook Driving Shaft Bevel Gear Housing Screw (long)
225532	16754	Hook Driving Shaft Bevel Gear Housing Screw (long) Washer
201308E	16754	Hook Driving Shaft Bevel Gear Housing Screw (short)
200396C	16752	Hook Driving Shaft Bevel Gear Position Screw

No.	Plate	Name
200374C	16752	Hook Driving Shaft Bevel Gear Set Screw
239037	16752	" " " Bushing (back)
200346C	16754	" " " " " " Set Screw
239038	16752	Hook Driving Shaft Bushing (front)
200363C	16752	" " " " " " Set Screw
221743	16752	Hook Driving Shaft Collar with two 200380C
200380C	16752	Hook Driving Shaft Collar Set Screw
221148	16753	" Gib
201376F	16753	" " Hinge Screw
201253F	16753	" " Screw
239105	16753	" Saddle with 200446C
350175E	16753	" " Screw (2)
225837	16753	" " " Washer (2)
213018	16753	" Washer with 203476 and three 204243
237937	16755	Needle Bar with 200141F
239041	16755	" " Connecting Link
239042	16755	" " " " Oil Guard
200161D	16755	" " " " " " Screw
202333	16755	" " " " " Stud with 202254
202254	16755	Needle Bar Connecting Link Stud Oil Packing (wick)
200374C	16755	Needle Bar Connecting Link Stud Set Screw
200383C	16755	Needle Bar Connecting Link Stud Set Screw
*206891	-----	Needle Bar Connecting Stud
202329	16755	" " " " " 206891 with 200086C and 202330
202330	16755	Needle Bar Connecting Stud Oil Packing (wick)
200086C	16755	Needle Bar Connecting Stud Pinch Screw
202692	16755	" " Crank with 200335C, 200374C, 200383C, 200429C and 202333
239043	16755	Needle Bar Crank 202692 with 202329, 202399, 202400, 239041 and 239049
203172	16755	Needle Bar Crank Friction Washer
200429C	16755	" " " " Position Screw
200335C	16755	" " " " Set Screw
239044	16755	" " Rock Frame
239045	16755	" " " " " 239044 with 237937
*38127	-----	" " " " " Driving Eccentric
*237749	-----	" " " " " " Body
350107C	16751	" " " " " " " Position Screw
443C	16751	Needle Bar Rock Frame Driving Eccentric Body Set Screw

No.	Plate	Name
239061	16757	Tension Disc (front)
210950	16756	" Release Driving Lever with 200394C and 202676
202676	16756	Tension Release Driving Lever Pin
239050	16757	" " " " " Slide Bar
239051	16757	Tension Release Driving Lever Pin Slide Bar 239050 with 200167E and 239055
202678	16757	Tension Release Driving Lever Pin Slide Bar Spring
200394C	16756	Tension Release Driving Lever Set Screw
239052	16757	" " Washer
202407	16757	" Spring
263106	16757	" " Washer
200625F	16757	" Stud with 204925
200061C	16757	" " Set Screw
204925	16757	" " Washer
201572B	16757	" Thumb Nut
239053	16757	Tension complete, Nos. 200625F, 201572B, 202407, 239052, 239054, 239061, 244048 and 263106
239054	16757	Thread Controller Spring
239055	16757	" " " Stop
200167E	16757	" " " Screw
210955	16757	" Guide (upper)
200582H	16757	" " Screw (2)
241755	16758	" Lubricator Oil Pad (felt)
237779	16758	" " " Holder
240439	16758	" " " Retainer
239071	16758	" " " Reservoir (left hand)
241759	16758	" " " Wick
350432XC	16758	" " Screw
201650H	16758	" " Nut
214838	16758	" " Washer
239072	16758	Thread Lubricator (left hand) complete, Nos. 214838, 237779, 239071, 240439, 241755 and 241759
223710	16757	Thread Retainer Bracket with 200397H
200582H	16757	" " " Screw (2)
210960	16757	" " Disc
210961	16757	" " Plunger
210962	16757	" " Spring
210993	16757	" " Sleeve
239056	16757	" " Socket
200397H	16757	" " " Set Screw
223844	16757	" " Spring
210957	16757	" " Stud
210958	16757	" " Collar
200397H	16757	" " " Set Screw

No.	Plate	Name
223711	16757	Thread Retainer (lower) complete, Nos. 210957, 210958, 210993, 223710 and 223844
239106	16759	Throat Plate, 56 elongated needle hole, for needle sizes 12 and 13
200577XC	16759	Throat Plate Screw (2)
237744	16754	Vertical Shaft
237745	16754	" " Bevel Gear (lower)
205508	16754	" " " " " Position Pin
235857	16754	Vertical Shaft Bevel Gear (upper) with 200374C and 200396C
200396C	16754	Vertical Shaft Bevel Gear (upper) Position Screw
200374C	16754	Vertical Shaft Bevel Gear (upper) Set Screw
237734	16754	Vertical Shaft Bushing (lower)
200346C	16754	" " " " Set Screw
237746	16754	" " " (upper)
200362C	16754	" " " " Set Screw
237747	16751	" " Driving Gear with 200374C and 200396C
200396C	16751	Vertical Shaft Driving Gear Position Screw
200374C	16751	Vertical Shaft Driving Gear Set Screw
237754	16754	" " Oil Leader (lower) (brass)
237755	16754	" " " " (upper) (brass)

Genuine Singer Needles should be used in Singer Machines. These Needles and their Containers are marked with the Company's Trade Mark "SIMANCO." 1

Needles in Containers marked "For Singer Machines" are not Singer made needles. 2

ACCESSORIES

No.	Plate	Name
203470	16753	Bobbin (5)
*225482	-----	" Case Screw Driver Blade
*225483	-----	" " " " Handle
225497	16760	Bobbin Case Screw Driver complete, Nos. 225482 and 225483
16 x 4	16755	Needles, six, size 9
4822	16760	Roller Presser Hinge Screw Nut Wrench
227104	16762	Drip Pan (cast iron square) with one wood screw 1-1/2 in., No. 14, R.H.B.
51078	16760	Machine Bolt (4)
6055	16760	" " Washer (4)
41401	16760	" Rest Pin (wood)
120342	16760	Oiler (copper plated) with 120343
120343	16760	" Spout (3-1/2 in. long)
225498	16760	Screw Driver (7-1/4 in. long)

BOBBIN WINDER

(SWINGING AUTOMATIC, LEFT HAND)

227149	16761	Base
227209	16761	Frame with 200125F
227152	16761	" Hinge Pin
227153	16761	" Spring
200125F	16761	" Stop Screw
227154	16761	Pulley (large) with 200380C
200380C	16761	" Set Screw
227156	16761	Spindle
227157	16761	Stop Latch
227159	16761	" " Hinge Pin
227160	16761	" " Spring
227048	16761	Bobbin Winder complete (large pulley) Nos. 227149, 227152 to 227154, 227156 227157, 227159, 227160, 227209 and two round head wood screws 3/4 in., No. 12
202480	16761	Spool Holder Base with 200355H and 202484
202481	16761	Spool Holder Base Spool Pin
202482	16761	" " Tension Disc (lower or upper)
200011D	16761	" " " " Screw
200355H	16761	" " " " " Set Screw

No.	Plate	Name
202483	16761	Spool Holder Tension Disc Spring (brass)
202484	16761	" " " " Thread Guide
202485	16761	Bobbin Winder Spool Holder complete, Nos. 200011D, 202480, 202481, 202482, two 202482 and one wood screw 1 in., No. 13H
227514	16761	Bobbin Winder and Spool Holder complete, Nos. 202485 and 227048

FOOT LIFTER

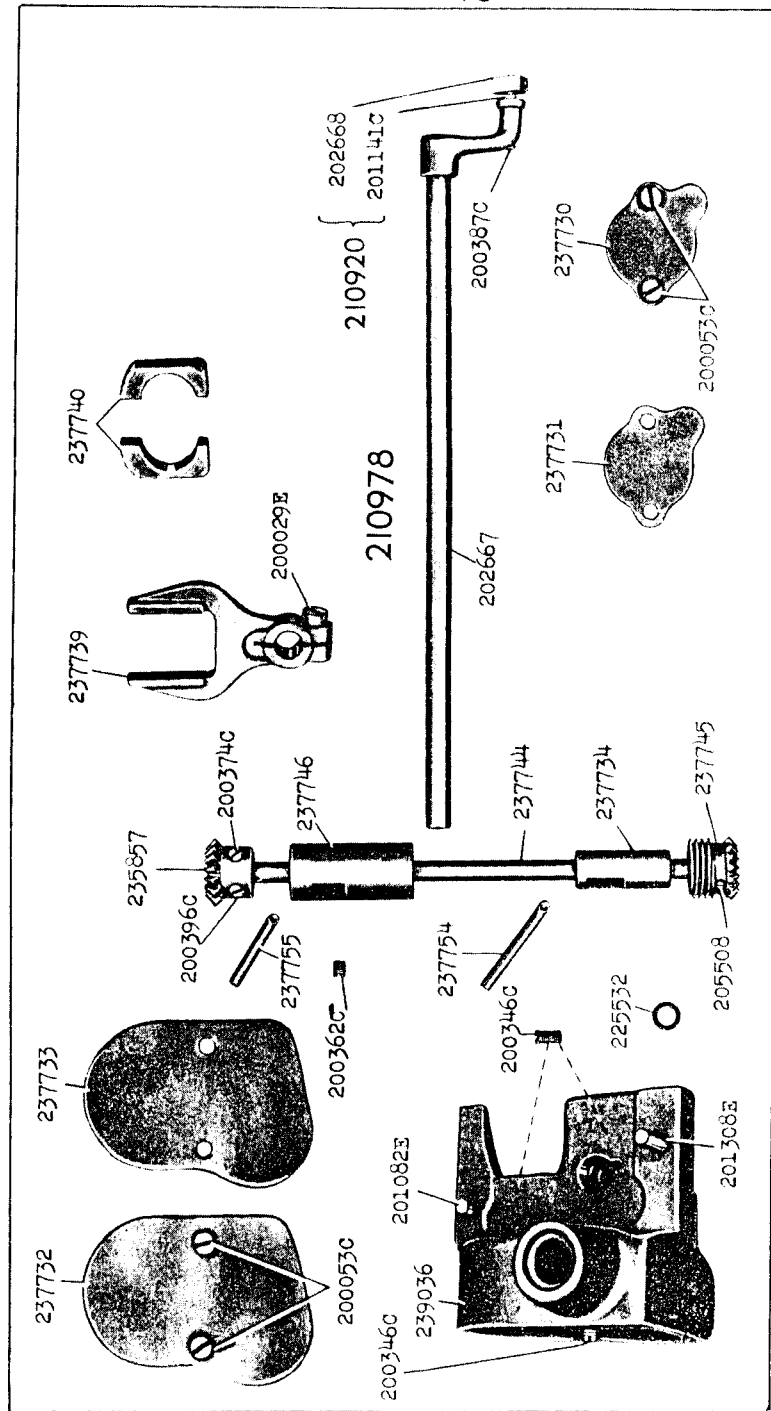
227952	16762	Foot Lifter Lever with 227954
227678	16762	" " " Chain, 48 in. long with 202784
227954	16762	Foot Lifter Lever Chain Hook (lower)
202784	16762	" " " " " (upper)
225016	16762	" " " Hinge Pin
227953	16762	" " " Stand with two wood screws 1 in., No. 12
227955	16762	Foot Lifter Lever complete, Nos. 225016, 227678, 227952 and 227953

(Other Foot Lifter parts are listed with parts of machine head.)

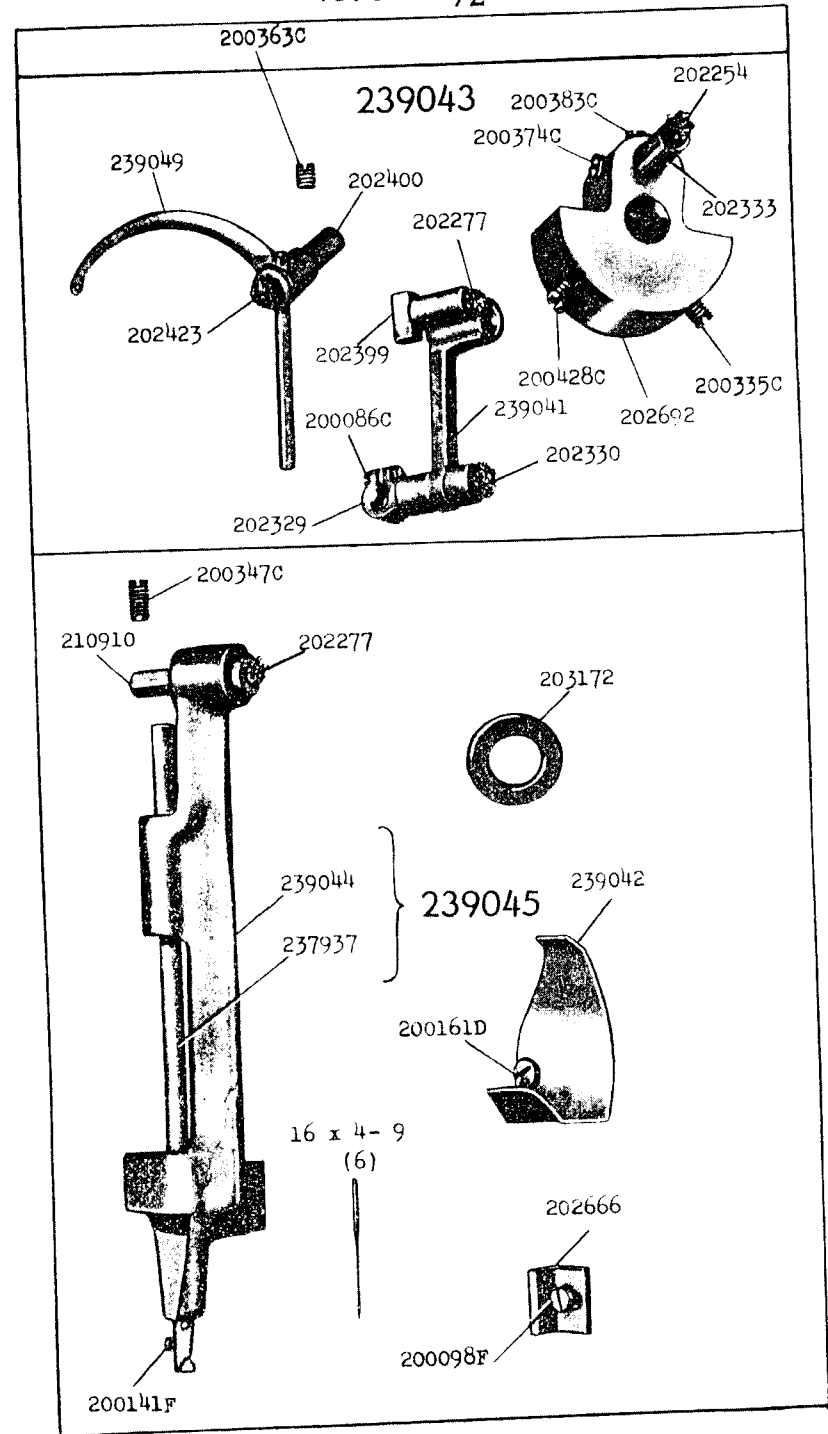
FEED REGULATING GEARS

239018	16752	Feed Regulating Gear, 23 teeth, with 200382C and 201220C
239019	16752	Feed Regulating Gear, 24 teeth, with 200382C and 201220C
239020	16752	Feed Regulating Gear, 25 teeth, with 200382C and 201220C
239021	16752	Feed Regulating Gear, 26 teeth, with 200382C and 201220C
239022	16752	Feed Regulating Gear, 27 teeth, with 200382C and 201220C
239023	16752	Feed Regulating Gear, 28 teeth, with 200382C and 201220C
239024	16752	Feed Regulating Gear, 29 teeth, with 200382C and 201220C
239025	16752	Feed Regulating Gear, 30 teeth, with 200382C and 201220C

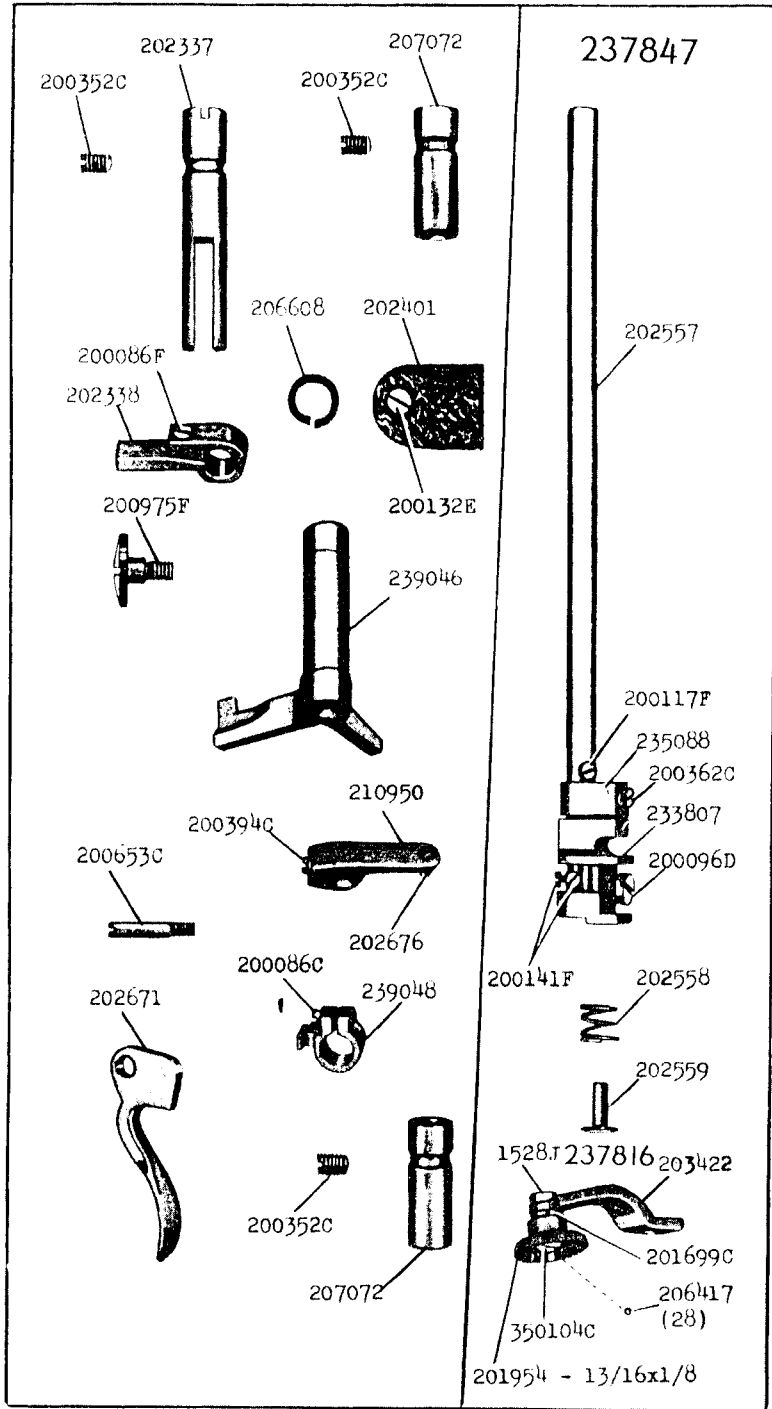
16754 - 1/3



16755 - 1/2

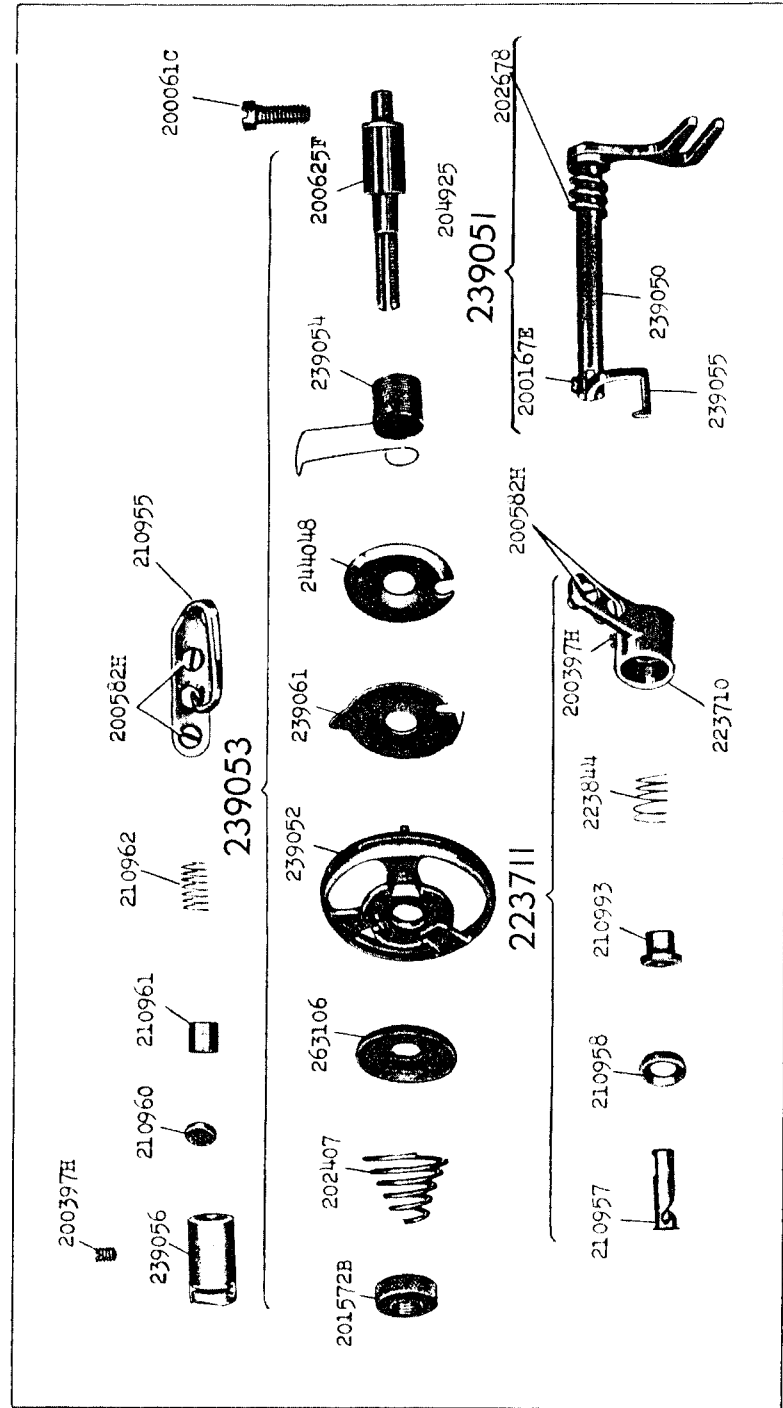


16756 - 1/2

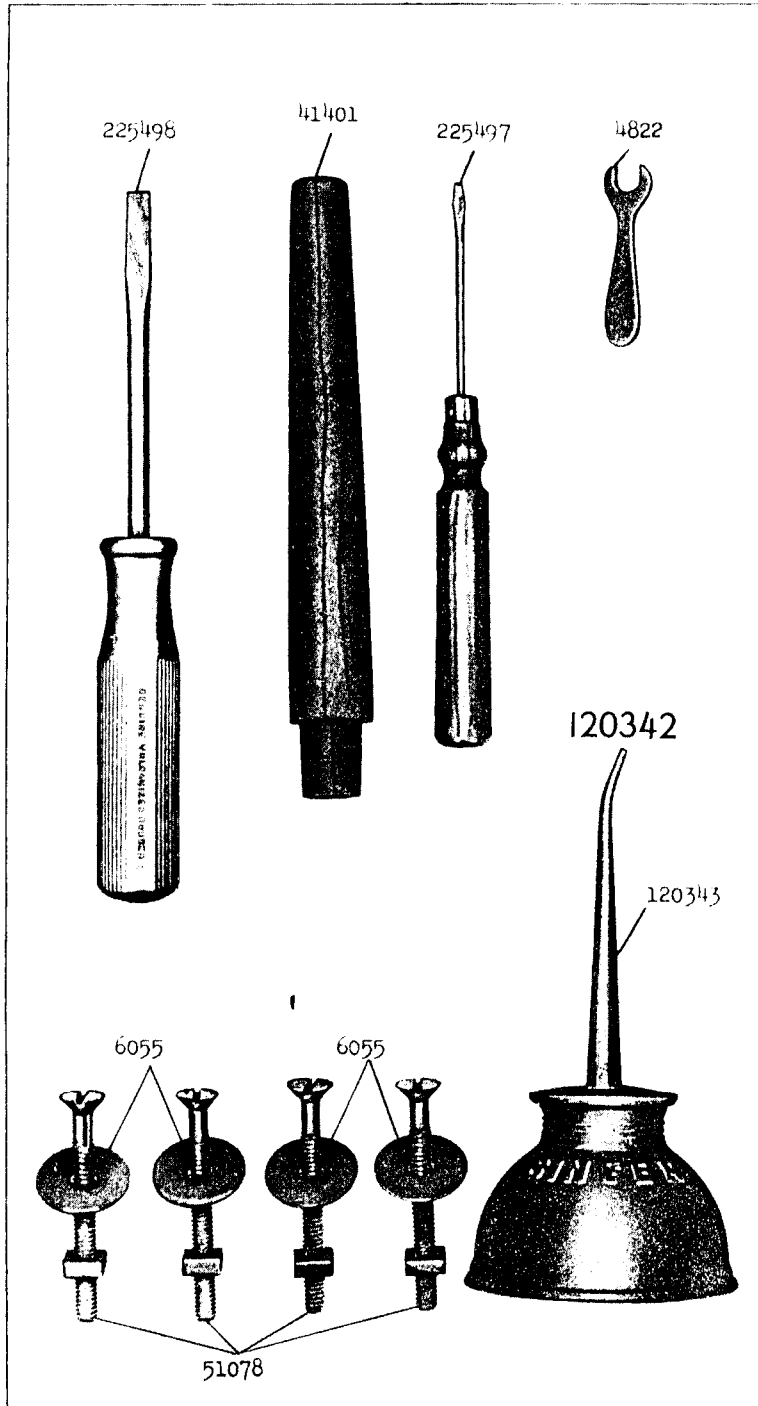


237847

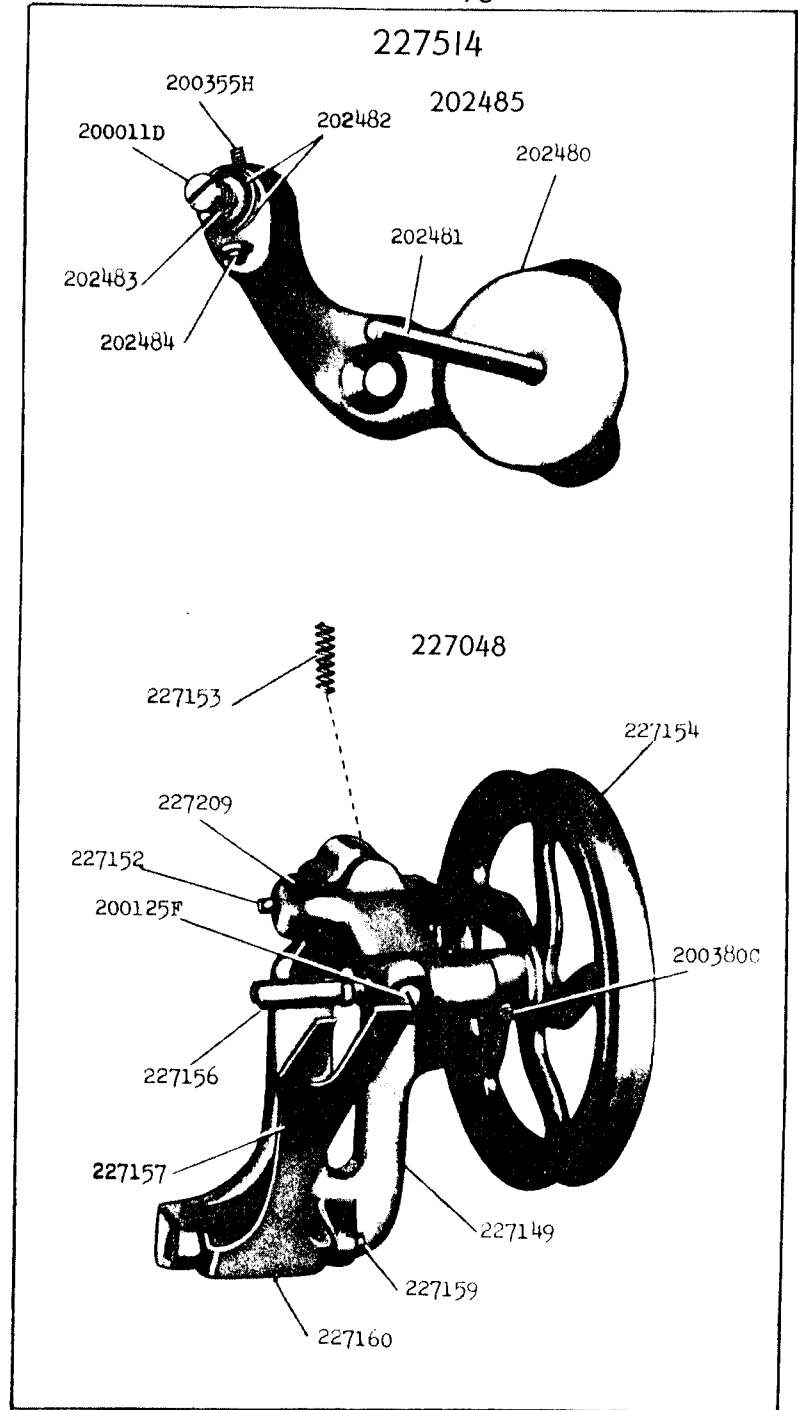
16757 - 2/3



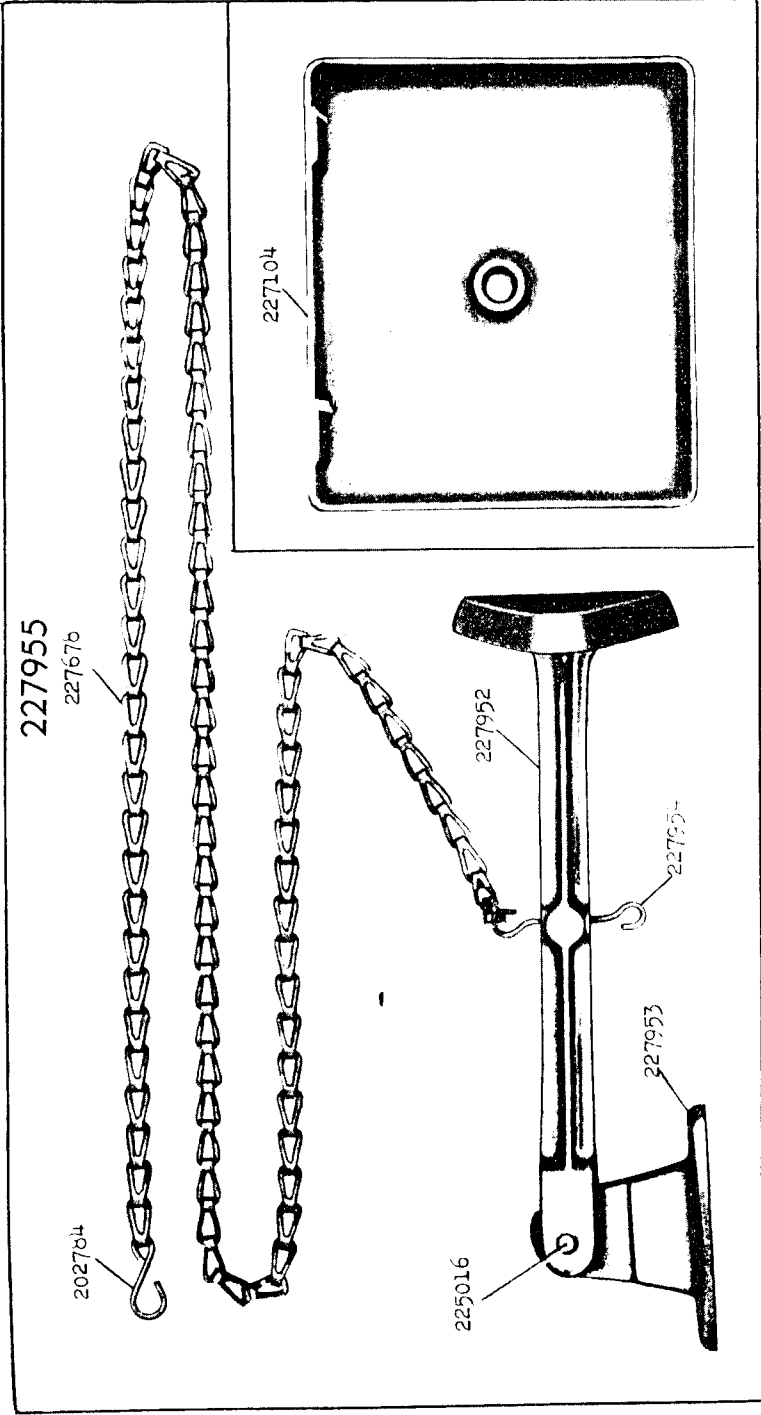
16760 - 1/2



16761 - 2/3



16762 - 3/8



17028 - 3/8

