

SINGER
111W106

Form 2676w

(940)

Printed in U. S. A.

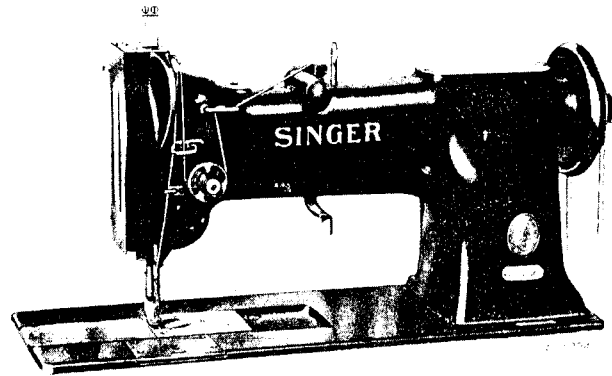
SINGER

III w 106

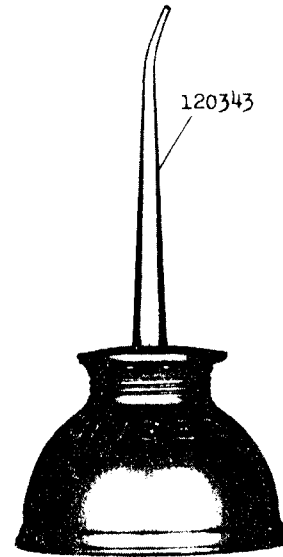


THE SINGER MANUFACTURING COMPANY

13067 - 1/2



120342



225498



225497



41400

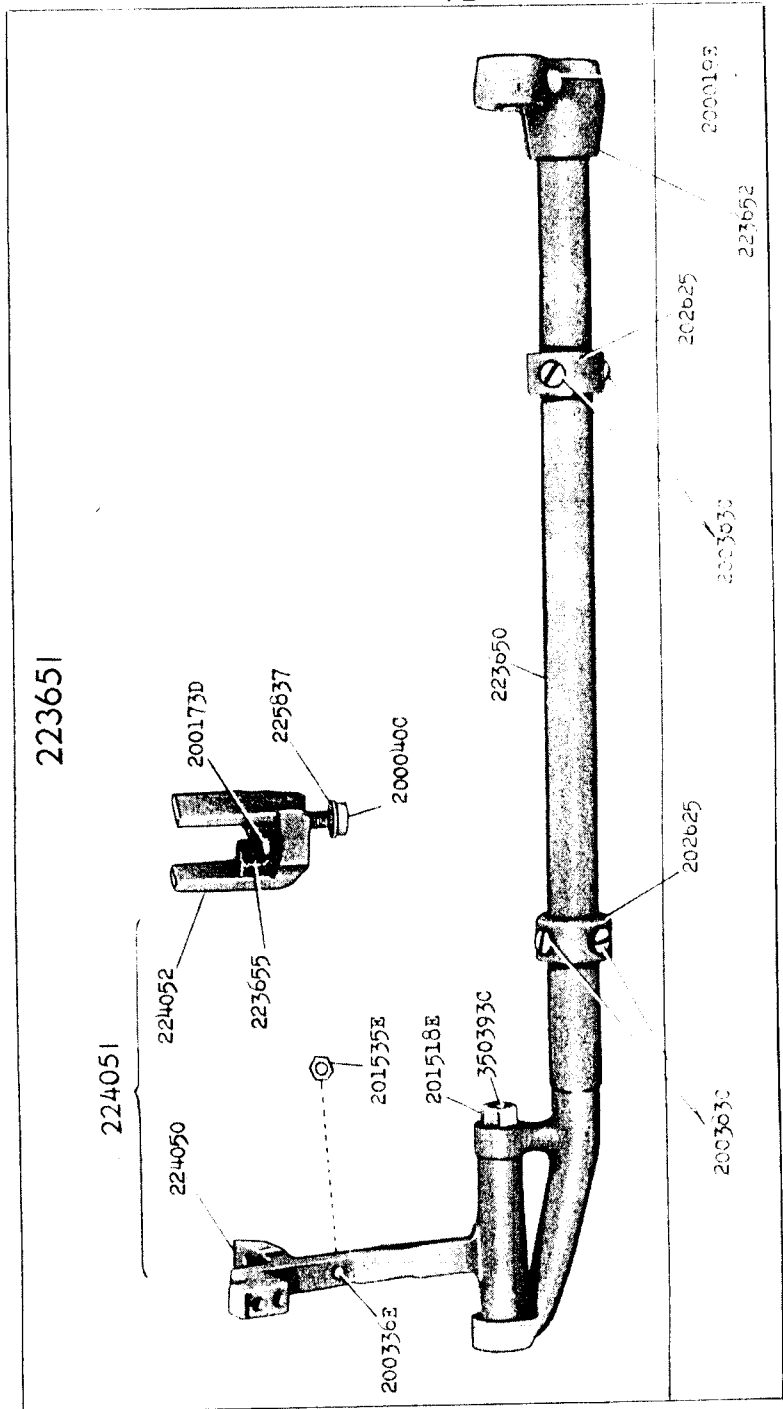


225554



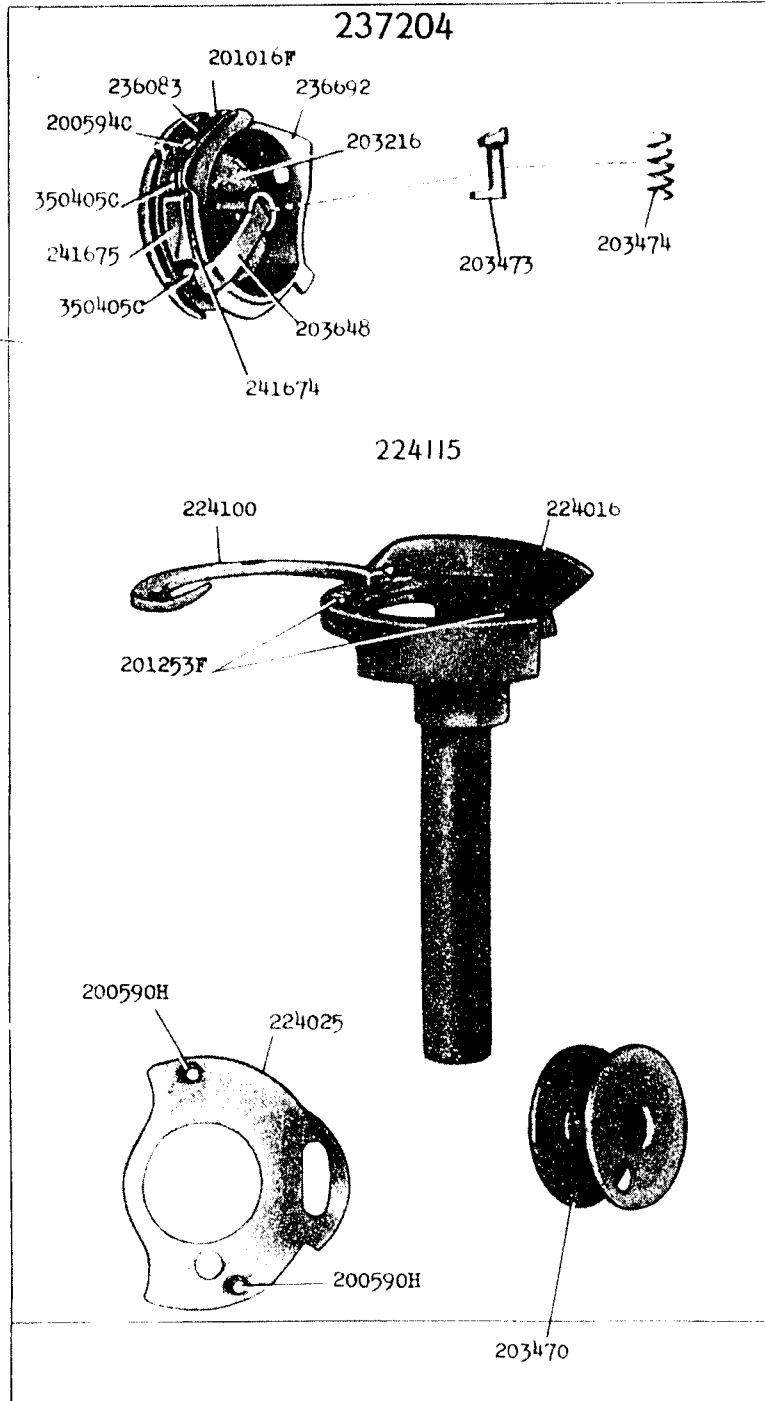
Copyright, U. S. A., 1934, 1939 and 1940
by The Singer Manufacturing Co.
All Rights Reserved for all Countries

16245 - 1/2



16247

237204



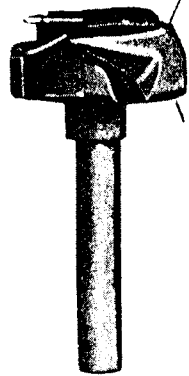
16248 - 2/3

237193

224004



200118D



237204

223623



224021



202277

224005

203101

200382C

200364C



201349C

201542C

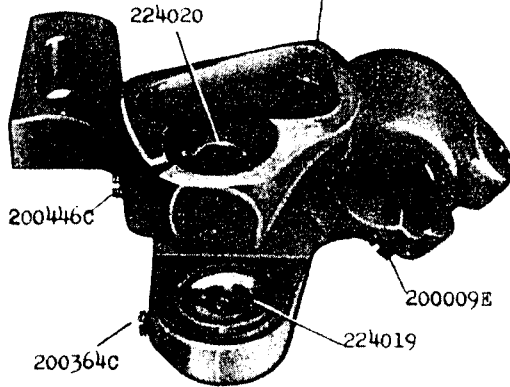
224022



223622

224023

223849



224020

200446C

200009E

200364C

224019

225585

200006E



16609 - 1/2

200029E

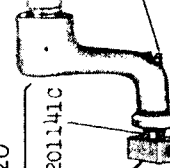


223692

223690

223691

210920

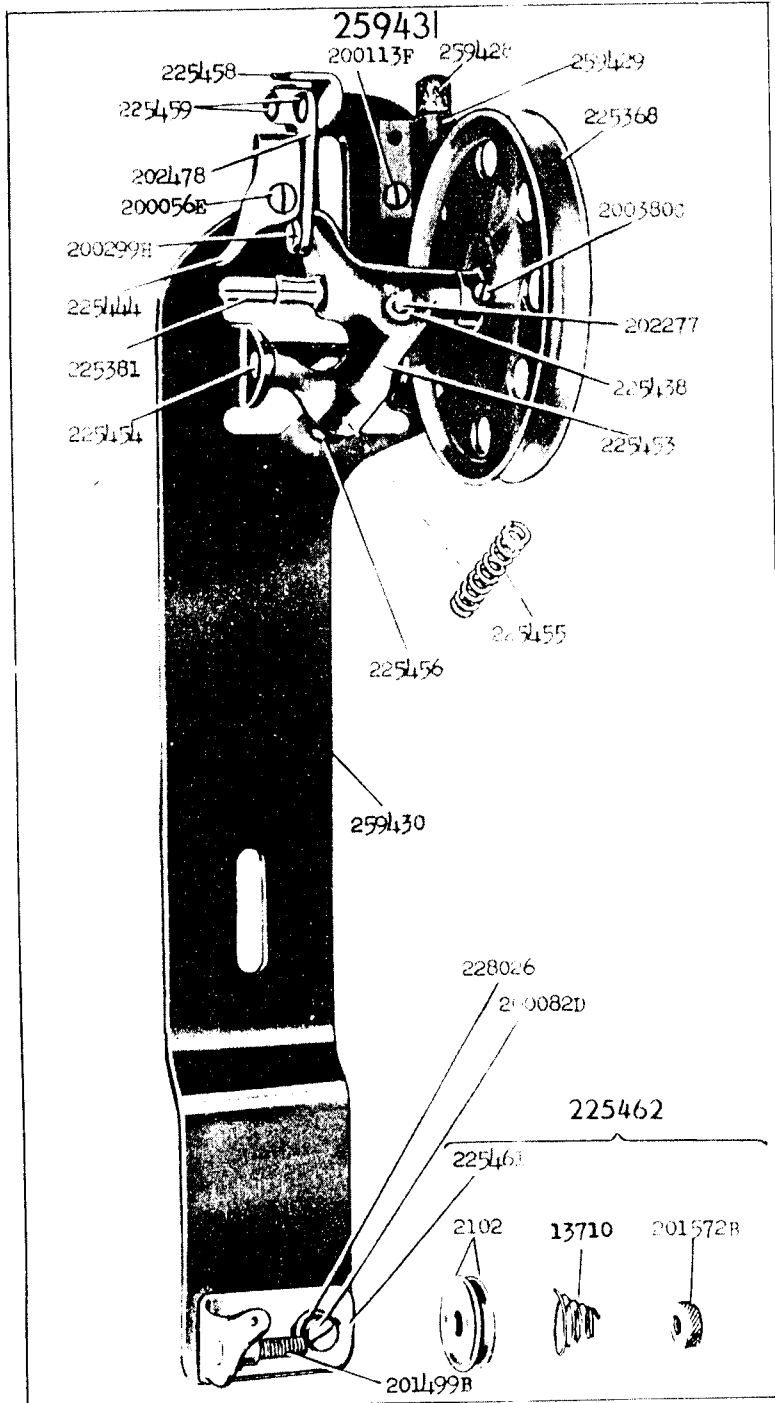


201141C

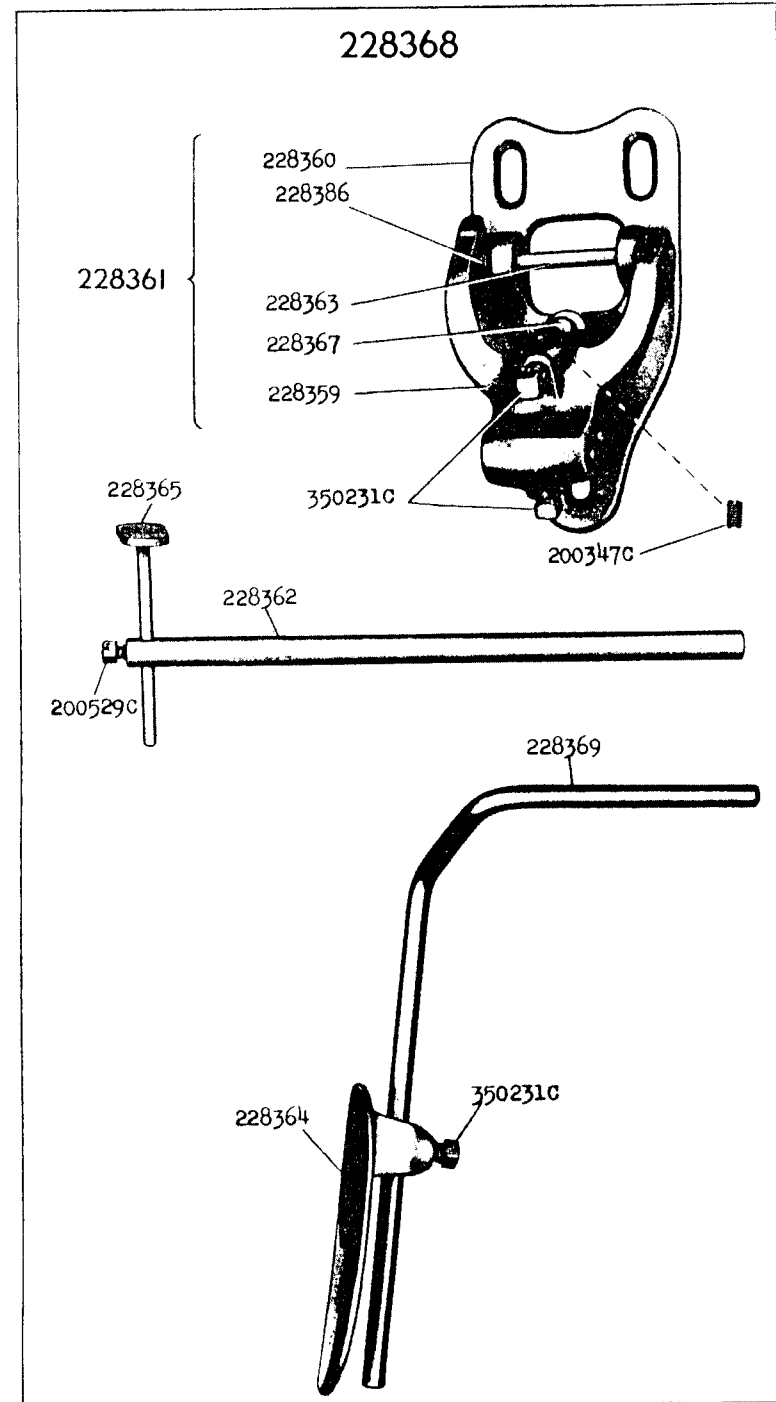
202668

200387C

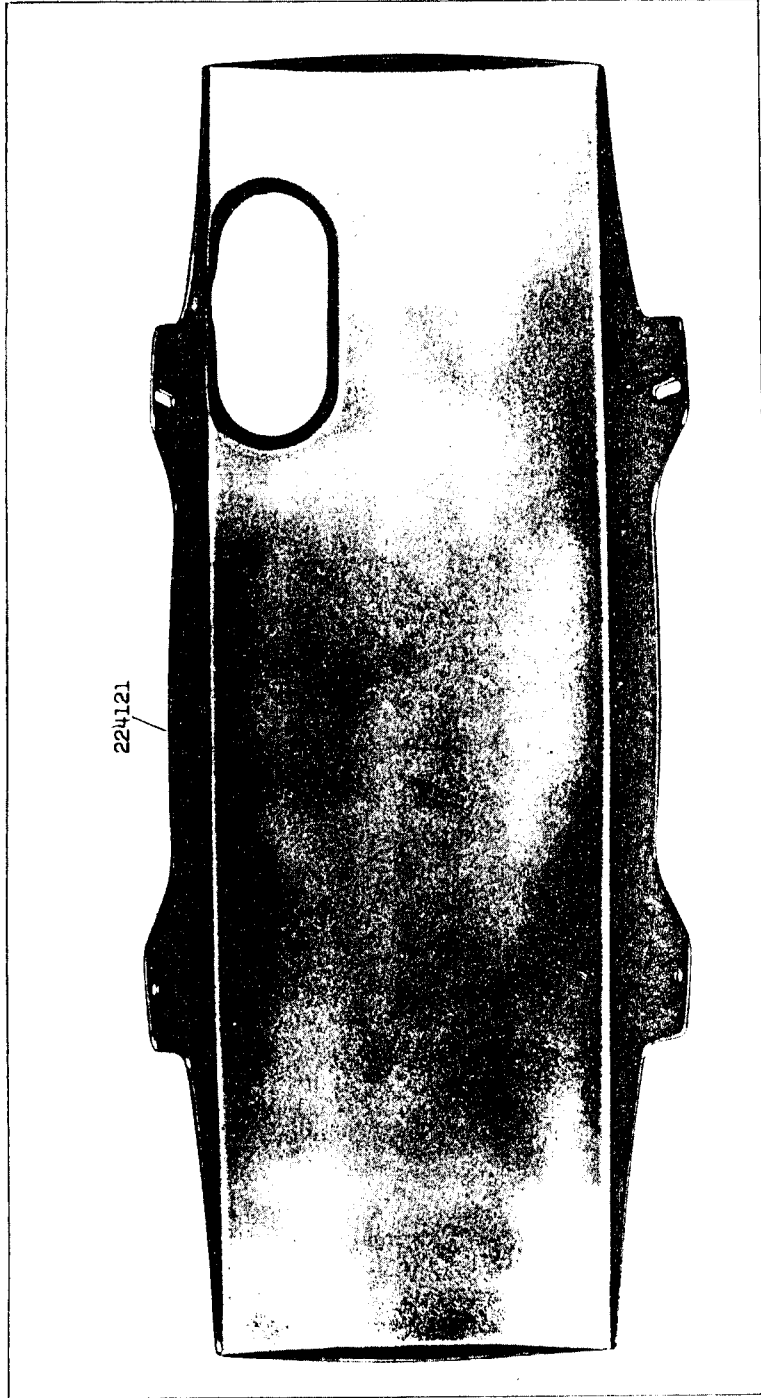
16615 - 1/2



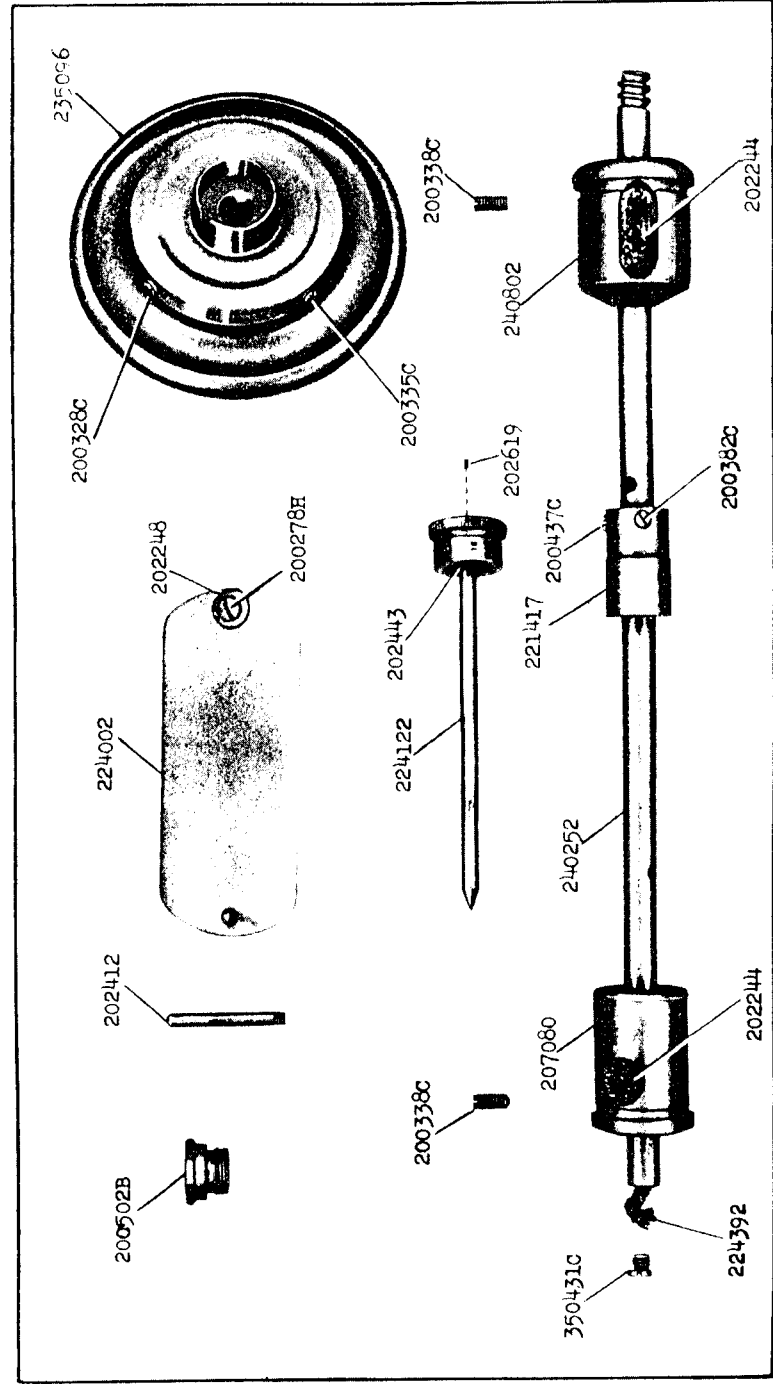
16643 - 3/8



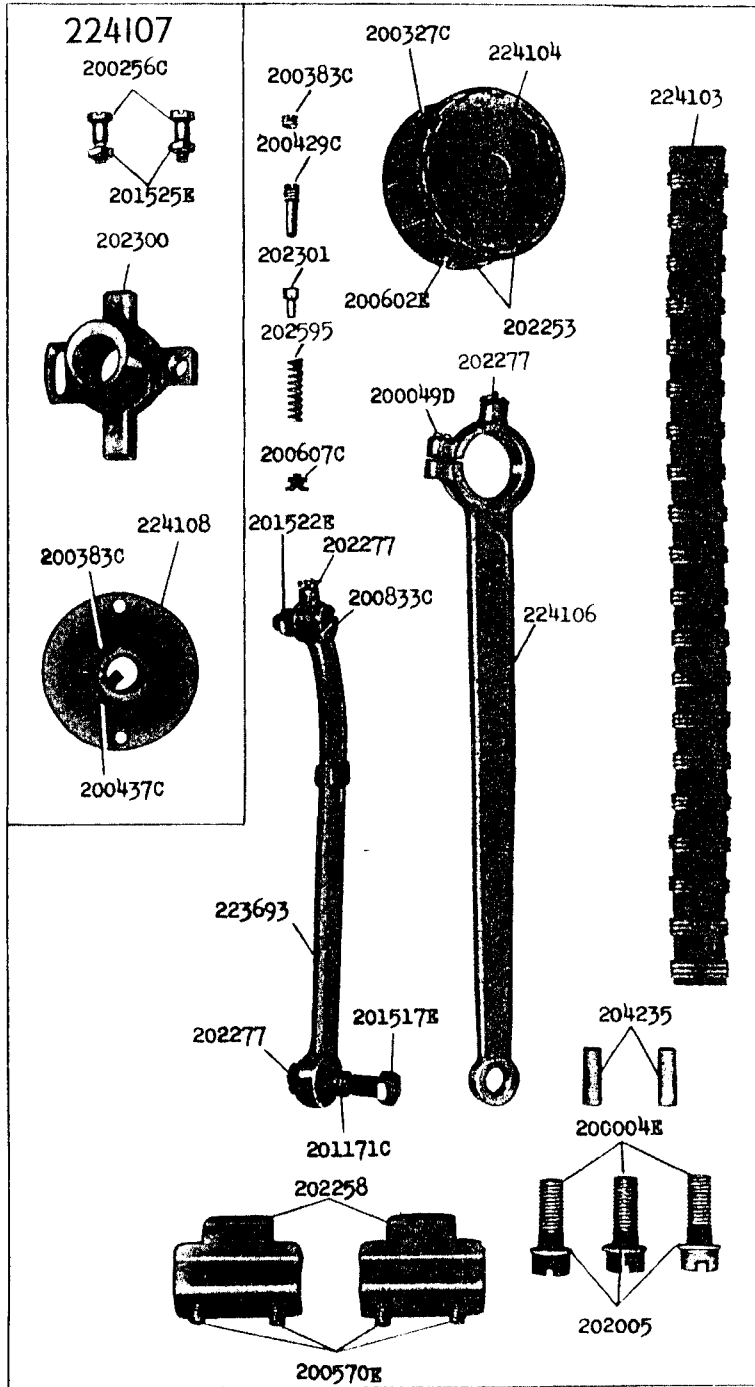
16644 - 1/3



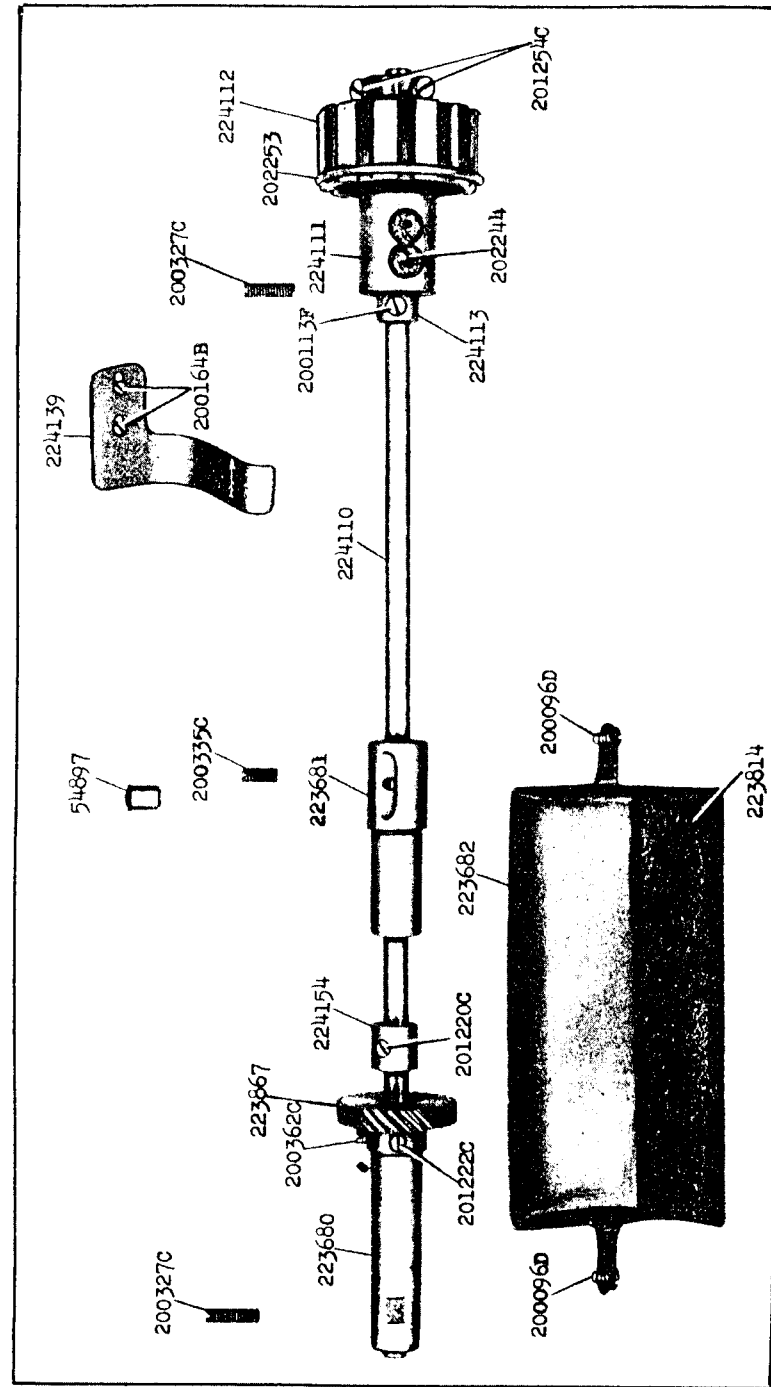
16645 - 3/8



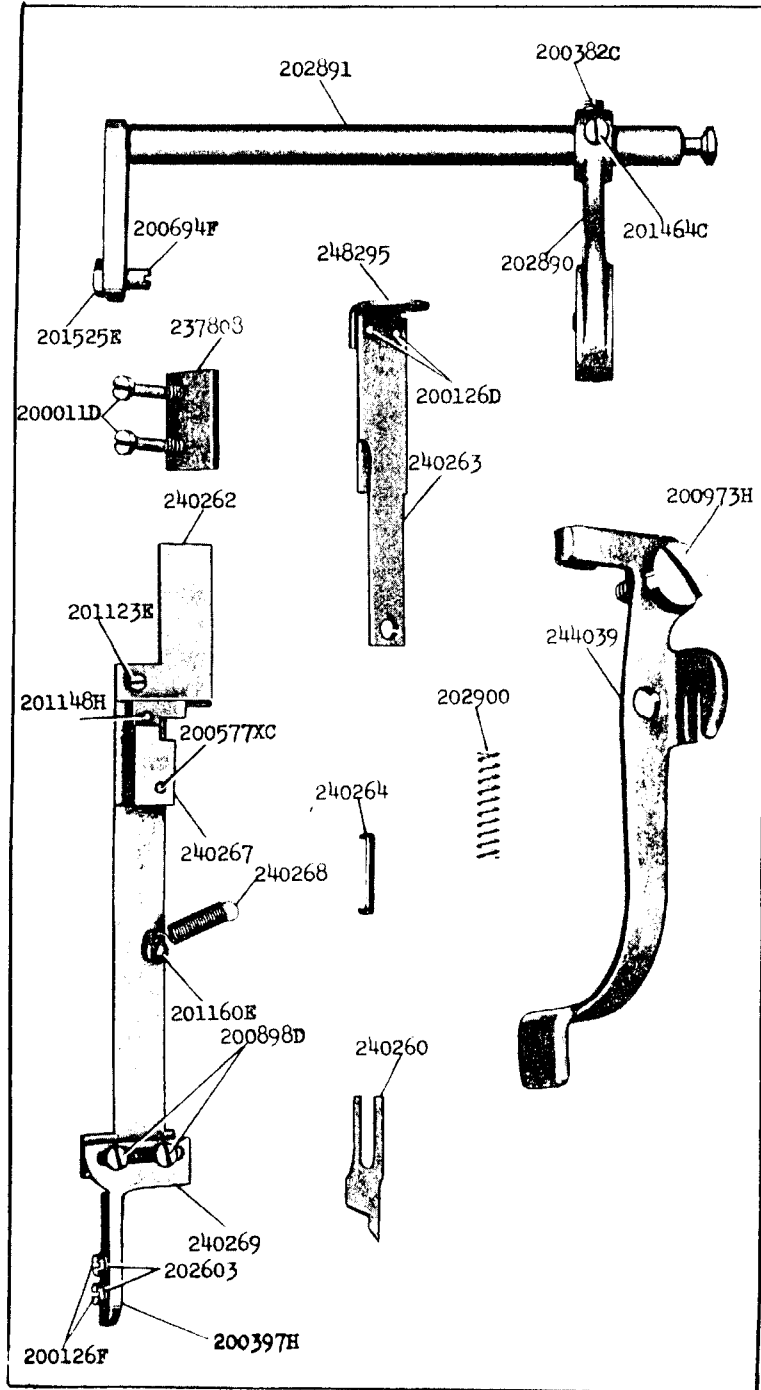
16646 - 3/8



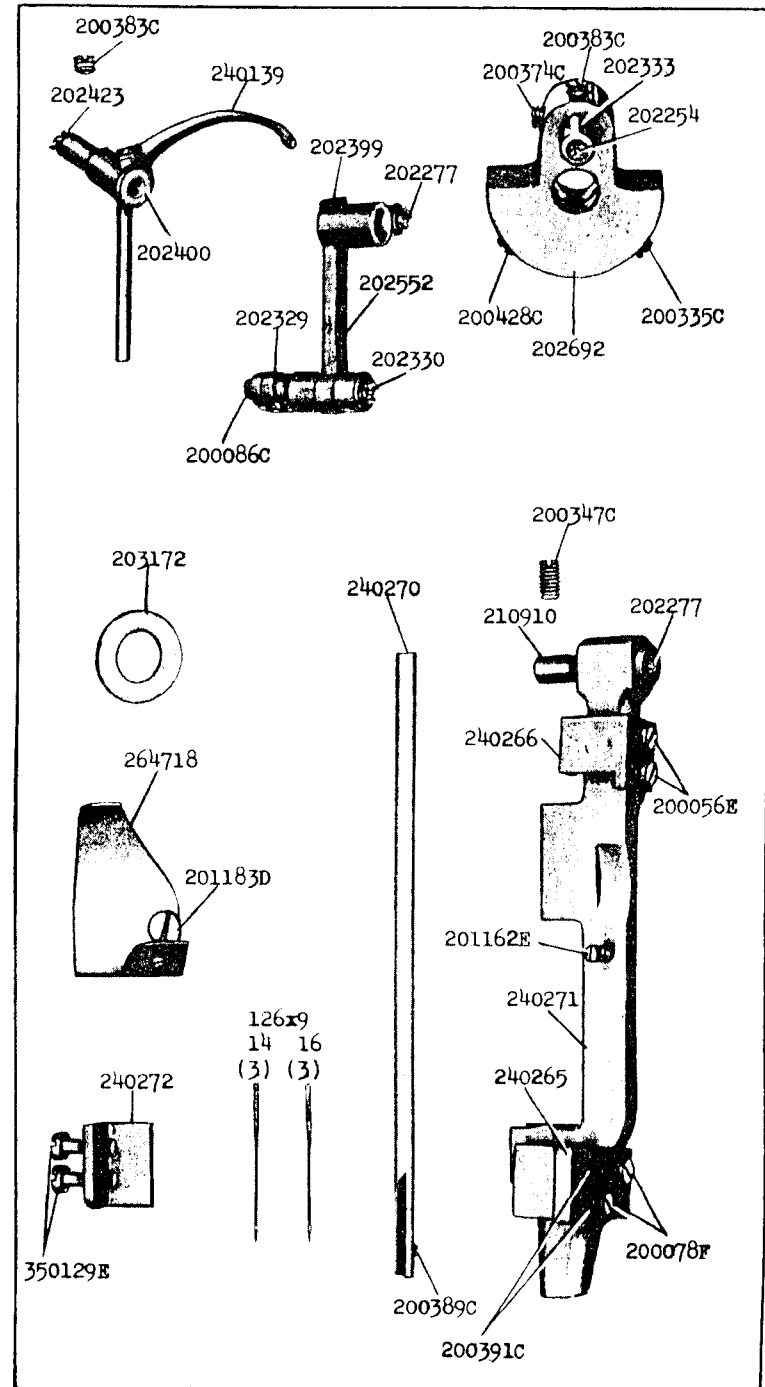
16647 - 3/8

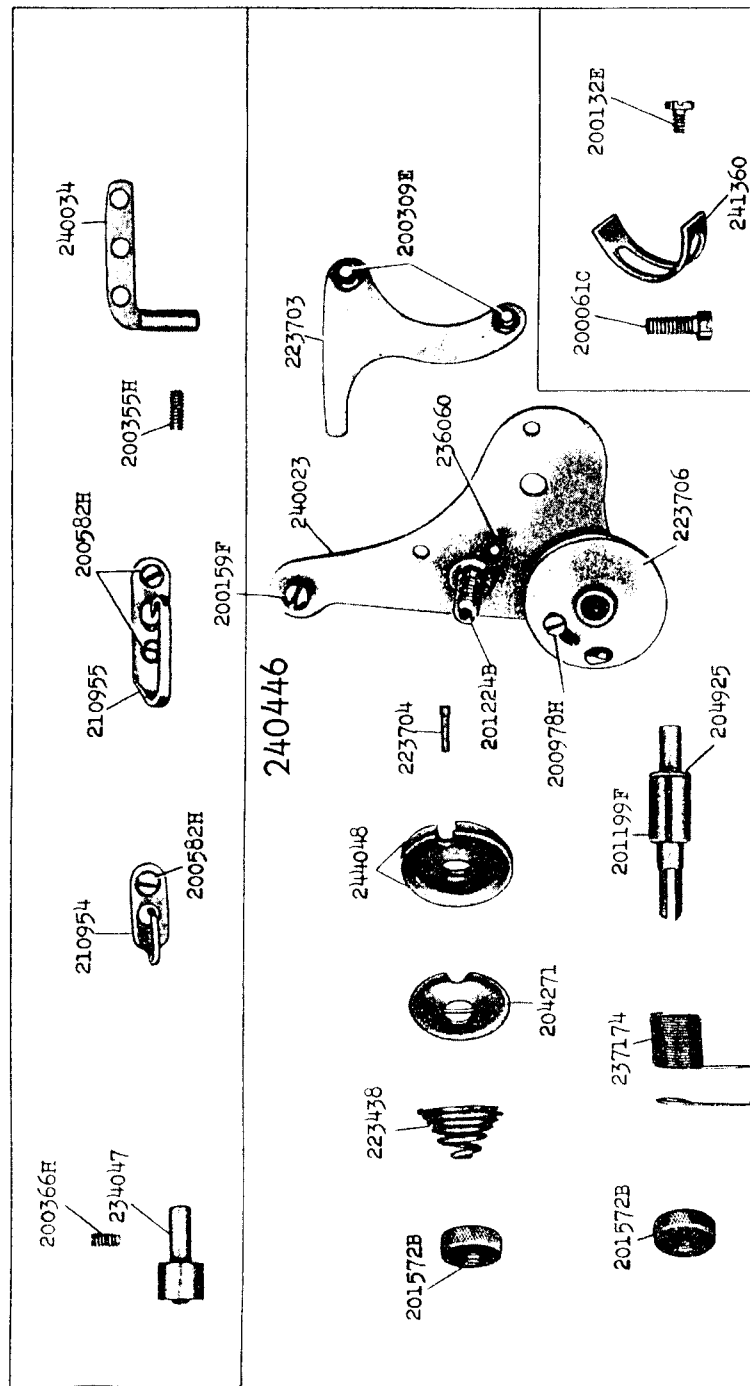
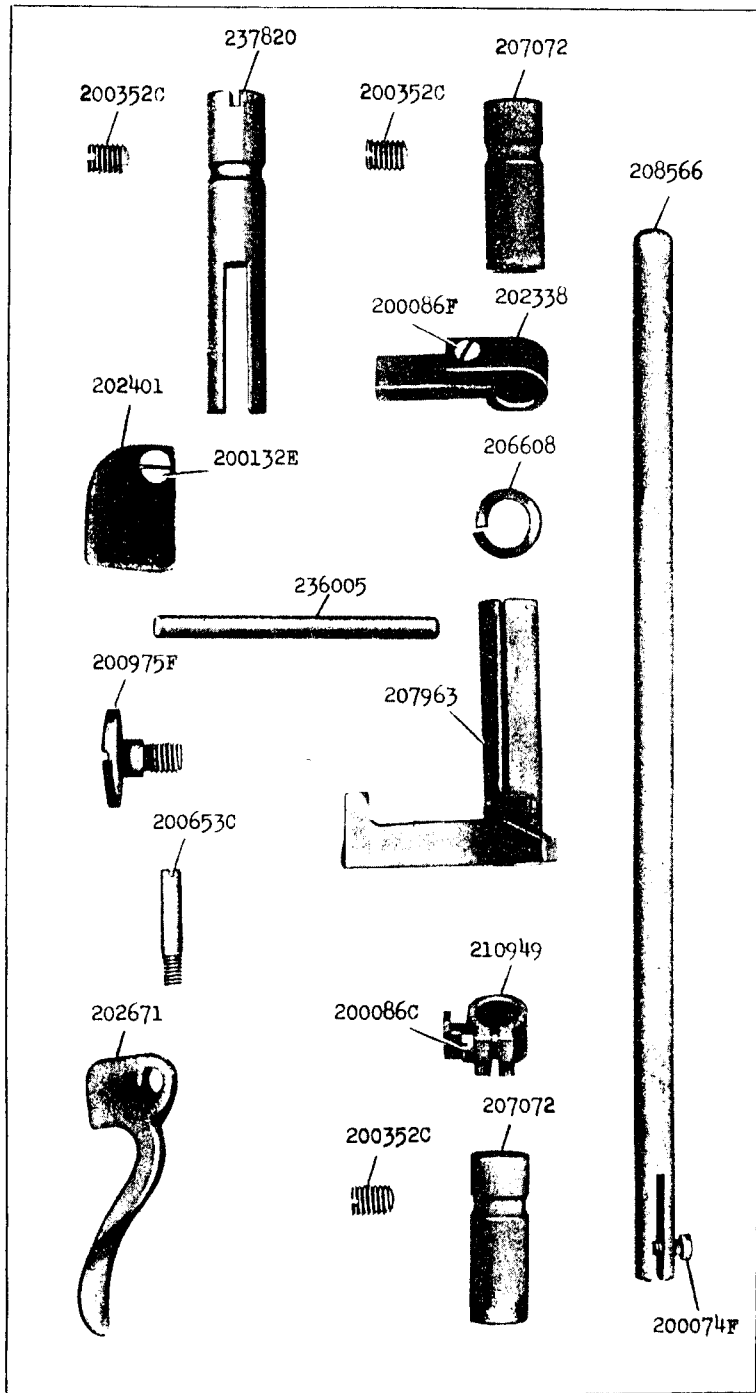


16648 - 1/2

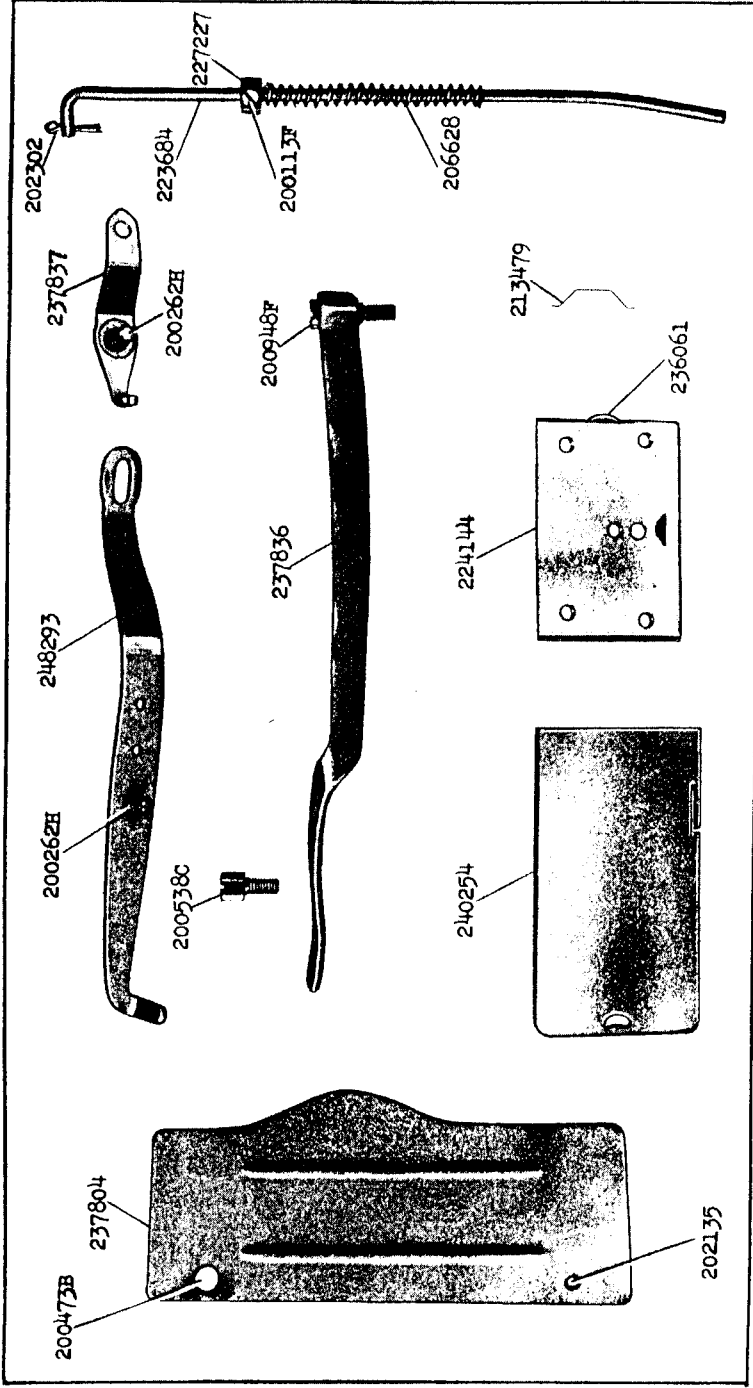


16649 - 1/2

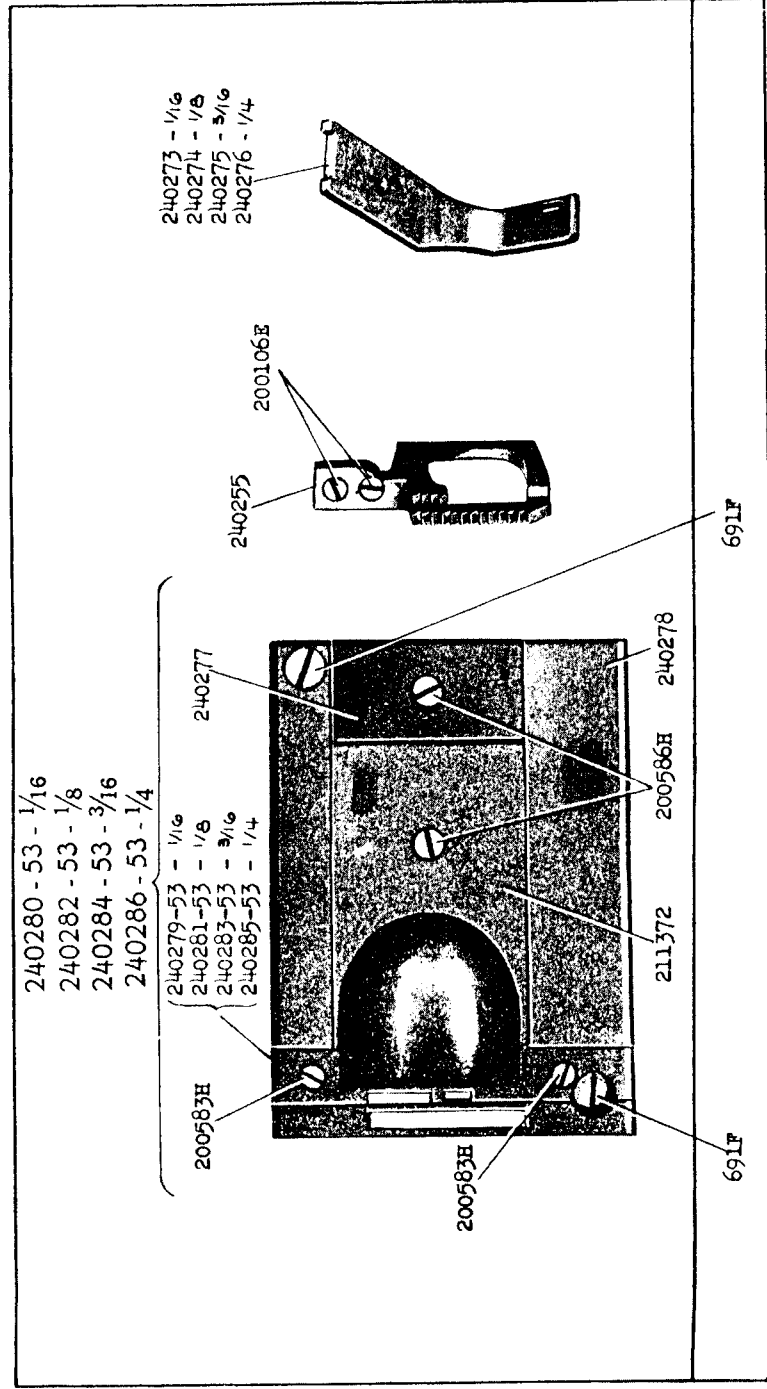




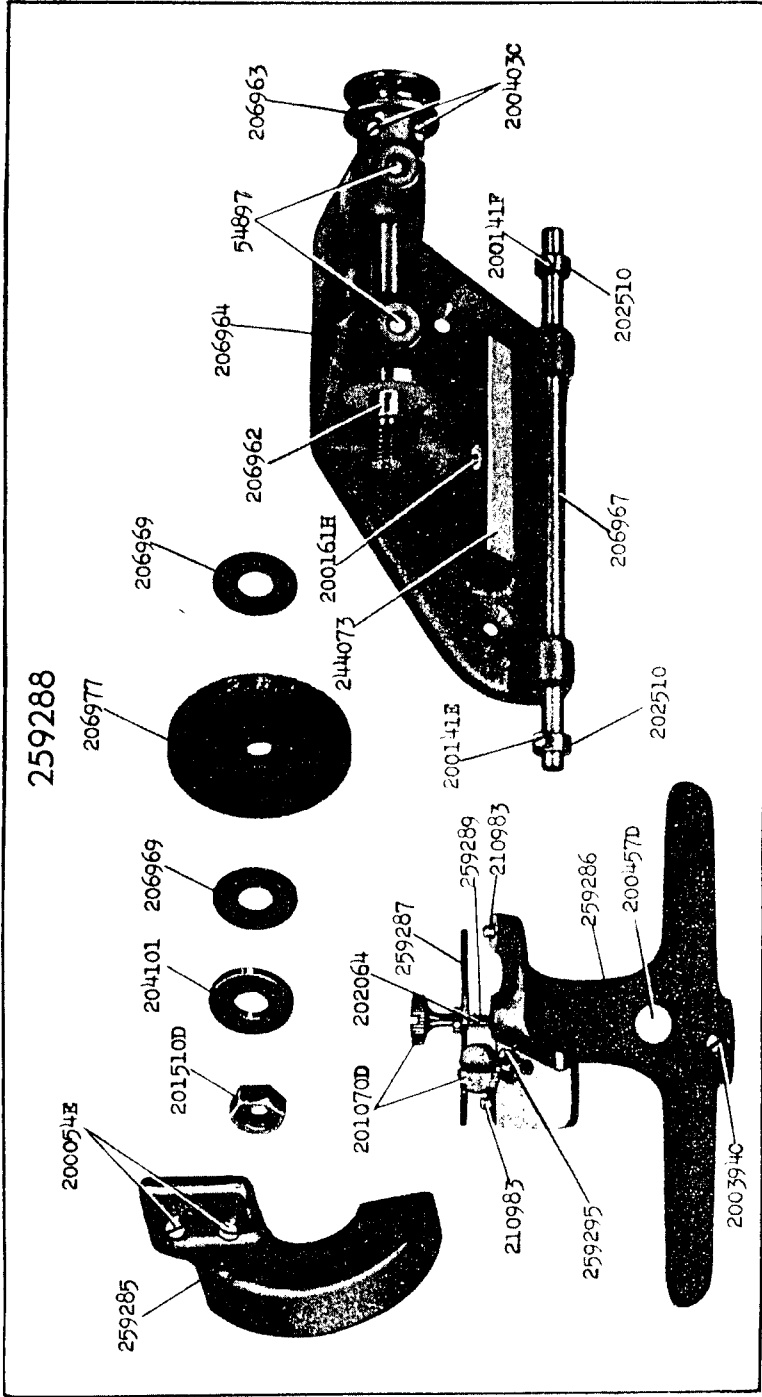
16652 - 3/8



16653 - 3/4



16660 - 1/2



Z 676 w 1 A 2