

Singer 17-33

Form 19184  
(538)  
Printed in U. S. A.

# LIST OF PARTS



MACHINE No. 17-33

---

THE SINGER MANUFACTURING COMPANY

## INSTRUCTIONS FOR OILING

To ensure easy running and prevent unnecessary wear of the parts which are in movable contact, the machine requires oiling and when in continuous use, it should be oiled at least twice each day with Singer Manufacturing Sewing Machine Oil (Cloth and Leather).

Copyright, U. S. A., 1937 and 1938  
by The Singer Manufacturing Co.  
All Rights Reserved for all Countries

## INDEX

|                              | Page |
|------------------------------|------|
| Accessories.....             | 9    |
| Bobbin Winder.....           | 9    |
| Cloth Plate.....             | 10   |
| Machine Base.....            | 10   |
| Machine No. 17-33.....       | 5    |
| Numerical List of Parts..... | 11   |
| Work Guiding Sleeve.....     | 10   |

## INSTRUCTIONS FOR ORDERING

In ordering from this list, use ONLY the part NUMBER in the FIRST column.

The number stamped on a Sewing Machine Part is in every case the number of the single part only.

Every combination of parts sent out as such has its specific number, which, although not stamped on the parts, must be used when ordering the combination.

Each number always indicates the SAME PART in whatever list it appears, or for whatever machine.

The letters after some of the numbers indicate the style of finish only, as follows:

- A-Hardened, Polished, Nickel Plated and Buffed
- B-Polished, Nickel Plated and Buffed
- C-Hardened Only
- D-Polished Only
- E-Soft, Not Polished
- F-Hardened and Polished
- F.J-Hardened, Polished and Nickel Plated
- G-Bright Rumbled and Nickel Plated
- H-Blued
- J-Nickel Plated Only
- K-Hardened and Nickel Plated
- L-Brass Plated
- M-Oxidized
- N-Japanned, Dull
- P-Japanned, Bright
- R-Merlized
- S-Cadmium Plating
- T-Copper Plated
- T.A-Hardened, Polished, Copper and Nickel Plated and Buffed
- T.B-Copper and Nickel Plated and Polished
- T.J-Copper and Nickel Plated Only
- T.K-Hardened, Copper and Nickel Plated
- T.L-Copper and Brass Plated
- T.M-Copper Plated and Oxidized
- U-Zinc Plated
- V-Silver Plated
- W-Polished and Nickel Plated
- X-Black Oxide, for Iron and Steel
- X.C-Hardened and Black Oxide, for Iron or Steel
- Y-Black Nickel Plated Only
- Z-Chromium Plated
- Z.A-Hardened, Polished, Nickel Plated, Buffed and Chromium Plated
- Z.B-Polished, Nickel Plated, Buffed and Chromium Plated
- Z.C-Hardened and Chromium Plated
- Z.J-Nickel and Chromium Plated

These letters MUST BE USED when they appear in the list; and AFTER the number as in the list.

In this series:

- 1 to 1500, 50001 to 51500 and 140001 to 142000 are Screw Numbers
- 1501 to 1800 and 51501 to 51800 are Nut Numbers
- 1801 to 2000 and 51801 to 52000 are Roller Numbers
- 2001 to 50000 and 52001 to 140000 and 142001 to 190000 are Sewing Machine Parts, 190001 and upward are numbers of Electrical Parts.

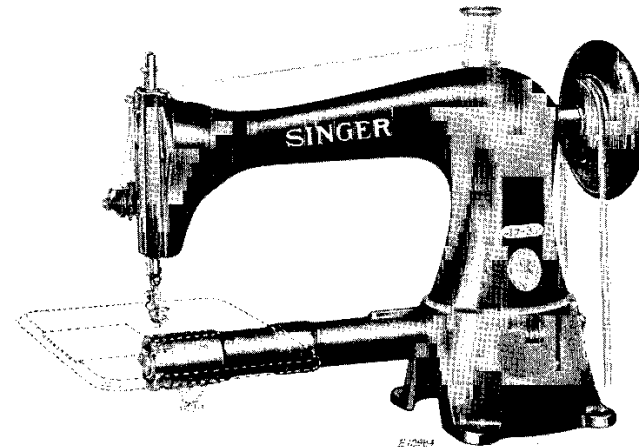
The figures in the second column refer only to the plates, illustrating the parts, and are NOT TO BE USED in ordering.

Parts marked with an asterisk (\*) are furnished only when repairs are made at factory.

# Counter Copy

## LIST OF PARTS COMPLETE

FOR



## MACHINE No. 17-33

For Darning Table Linen, Towels, Knit Underwear, etc.  
No feeding mechanism. Presser bar rises automatically after each stitch is made. A counterbalanced arm shaft reduces vibration to a minimum when driven by power. Speed 1400 R. P. M.

| No.    | Plate      | Name  |
|--------|------------|---|
| *65132 | -----      | Arm with 4448, 15404, 16717 and two 15405.....  |
| 4389   | 20924      | Arm Dowel Pin.....                              |
| 4448   | 20923      | " Oil Tube for oiling intermediate bearing..... |
|        | 123E 20924 | Arm Screw.....                                  |
| 65106  | 20923      | " Shaft.....                                    |
| 65133  | -----      | " " 65106 with 65107 and 65139....              |
| 3005   | 20923      | " " Bushing (back).....                         |
| 448C   | 20923      | " " " Set Screw.....                            |
| *16717 | 20923      | " " " (front).....                              |
| 65107  | 20923      | " " Counterbalance with 1362C....               |
| 1362C  | 20923      | " " " Position Screw.....                       |
| 144D   | 20923      | " " Screw.....                                  |
| 4288   | 20923      | " Side Cover.....                               |

## PARTS FOR MACHINE No. 17-33

| No.    | Plate | Name  |
|--------|-------|---|
| 51224D | 20923 | Arm Side Cover Thumb Screw.....   |
| 52239  | 20923 | " Spool Pin and Thread Eyelet.....  |
| 8879   | 20923 | " " " Washer (cloth).....   |
| 16267  | 20923 | Balance Wheel (disc) power, 2 3/4 in.<br>pulley, with two 448C.....                   |
| 16278  | 20923 | Balance Wheel (disc) stand, 3 in. pulley,<br>for clamp stop motion.....               |
| 448C   | 20923 | Balance Wheel Set Screw.....  |
| 256J   | 20923 | Clamp Stop Motion Clamp Screw.....  |
| 248A   | 20923 | " " " " Stop Screw.....   |
| 2020   | 20923 | " " " " Washer.....   |
| *3023  | ----- | " " " " Flanged Bushing.....  |
| 4933   | 20923 | " " " " " 3023<br>with two 462C.....  |
| 2022   | ----- | Clamp Stop Motion Flanged Bushing Pin..   |
| 462C   | 20923 | " " " " " Set<br>Screw.....   |
| 3022   | ----- | Clamp Stop Motion complete, Nos. 248A,<br>256J, 2020 and 4933.....                    |
| 4292   | 20923 | Crank Connecting Rod with two 145E.....   |
| 145E   | 20923 | " " " " Cap Screw.....  |
| 375C   | 20923 | " " " " Hinge Screw.....  |
| 1518J  | 20923 | " " " " " Nut...  |
| *65108 | ----- | Cylinder, 1 7/8 in. diam.....   |
| 16723  | 20925 | Face Plate.....   |
| 16881  | ----- | " " 16723 with 2105.....  |
| 16883  | 20925 | Face Plate complete, Nos. 448C, 460C, 2107,<br>2127, 12296, 16881, 16882 and two 233J |
| 164J   | 20925 | Face Plate Screw.....   |
| 2107   | 20925 | " " Thread Guard (lower).....   |
| 233J   | 20925 | " " " " " Screw..   |
| 12296  | 20925 | " " " " (upper).....  |
| 460C   | 20925 | " " " " " Set Screw   |
| 65109  | 20926 | Needle Bar (hollow).....  |
| *3045  | 20926 | " " Connecting Link.....  |
| 65134  | ----- | " " " " " 3045 with<br>65135.....   |
| 377C   | 20926 | Needle Bar Connecting Link Hinge Screw.   |
| 1518J  | 20926 | " " " " " " Nut.....  |
| 65135  | 20926 | Needle Bar Connecting Stud with 175E...   |
| 175E   | 20926 | " " " " " Clamping<br>Screw.....  |
| 290E   | 20926 | Needle Bar Screw Bushing.....   |
| 16725  | 20926 | " " Thread Eyelet.....  |
| 662J   | 20926 | " " " " " Screw.....  |
| 1678C  | 20926 | " Clamping Nut.....   |
| 16726  | ----- | " Plate, large needle hole.....   |
| 16727  | 20925 | " " small needle hole.....  |

## PARTS FOR MACHINE No. 17-33

| No.    | Plate | Name  |
|--------|-------|---|
| 1231D  | 20925 | Needle Plate Screw.....   |
| *6022  | ----- | Oscillating Rock Shaft with 4784.....                                 |
| 16806  | 20923 | " " " 6022 with 65131.  |
| 65130  | 20923 | " " " Hinge Pin.....  |
| 65131  | ----- | " " " " " 65130<br>with 1513J.....                                    |
| 1513J  | 20923 | Oscillating Rock Shaft Hinge Pin Nut...                               |
| 4784   | 20923 | " " " Oil Pad (felt)..  |
| 6462   | 20923 | " Shaft.....  |
| *16835 | ----- | " " 6462 with 2049, 7225<br>and 16736.....                            |
| *7225  | ----- | Oscillating Shaft Crank with 219C and<br>1813.....                    |
| 7054   | 20923 | Oscillating Shaft Crank with 1813 and<br>two 462C.....                |
| 2049   | ----- | Oscillating Shaft Crank Pin.....                                      |
| 1813   | 20923 | " " " Roller and Stud   |
| 219C   | ----- | " " " Set Screw for<br>7225.....                                      |
| 462C   | 20923 | Oscillating Shaft Crank Set Screw for<br>7054.....                    |
| 8224   | 20926 | Presser Bar.....  |
| 65136  | 20926 | " " Guide Bracket with 454C....                                       |
| 65141  | ----- | " " " " 65136 with<br>16733 and 50022C.....                           |
| 454C   | 20926 | Presser Bar Guide Bracket Set Screw....                               |
| 52016  | 20926 | " " Lifter.....   |
| 689C   | 20926 | " " " Screw.....  |
| 1520J  | 20926 | " " " " Nut.....  |
| 16730  | 20926 | " " Lifting Rock Shaft.....   |
| 65137  | 20926 | " " " " " Arm with<br>172C and 1979.....                              |
| 172C   | 20926 | Presser Bar Lifting Rock Shaft Arm<br>Clamping Screw.....             |
| 1979   | 20926 | Presser Bar Lifting Rock Shaft Arm<br>Roller and Screw Stud.....      |
| 65138  | 20926 | Presser Bar Lifting Rock Shaft Arm<br>Spring.....                     |
| 16733  | 20926 | Presser Bar Lifting Rock Shaft Link....                               |
| 810D   | 20926 | " " " " " " Cap<br>Screw.....   |
| 50022C | 20926 | Presser Bar Lifting Rock Shaft Link<br>Hinge Screw.....               |
| 290E   | 20926 | Presser Bar Screw Bushing.....  |
| 3100   | 20926 | " " Spring.....   |
| 2070   | 20926 | " " " Washer.....   |
| *65037 | ----- | " Foot.....   |
| 65038  | ----- | " " Finger Guard.....   |
| 65039  | 20926 | Presser Foot with Finger Guard complete,<br>Nos. 65037 and 65038..... |

## PARTS FOR MACHINE No. 17-33

| No.    | Plate | Name   |
|--------|-------|--|
| 190J   | 20926 | Presser Foot Screw.....  |
| 262J   | 20926 | Pressure Regulating Thumb Screw.....   |
| 2996   | 20925 | Shuttle Bobbin.....  |
| 15140  | 20925 | " " Case Latch.....  |
| 2973   | 20925 | " " " " Lever.....   |
| 2974   | 20925 | " " " " Fulcrum<br>Pin.....  |
| 2975   | 20925 | Shuttle Bobbin Case Latch Spring.....  |
| 592E   | 20925 | " " " " Stop Screw....   |
| 15141  | ----- | " " " Hinge, Nos. 2973, 2974<br>and 15140.....   |
| *39623 | ----- | Shuttle Bobbin Case Position Finger....  |
| 2523   | ----- | " " " " Rivet  |
| 40112  | 20925 | Shuttle Bobbin Case complete, Nos. 591F,<br>592E, 2523, 2975, 15141, 15278 and<br>39623..... |
| 16614  | 20925 | Shuttle Body.....  |
| 591F   | 20925 | " Tension Regulating Screw.....  |
| 15278  | 20925 | " " Spring.....  |
| 16735  | 20925 | " 1 1/2 in. diam., Nos. 2996, 16614<br>and 40112.....  |
| 16736  | 20923 | Shuttle Driver.....  |
| 2049   | 20923 | " " Pin.....   |
| 16838  | 20925 | " Race.....  |
| 16738  | 20925 | " " Cover.....   |
| 979D   | 20925 | " " " Hinge Screw.....   |
| 50258J | 20925 | " " Screw.....   |
| 2102   | 20925 | Tension Disc.....  |
| 1560C  | 20925 | " Regulating Thumb Nut.....  |
| 600C   | 20925 | " Screw Stud.....  |
| 16202  | ----- | " " " 600C with 1560C.....   |
| 448C   | 20925 | " " " Set Screw.....   |
| 10148  | 20925 | " Spring.....  |
| 2105   | 20925 | " Thread Guard.....  |
| 16882  | 20925 | Tension complete, Nos. 10148, 16202, 16766<br>and two 2102.....                              |
| *65139 | ----- | Thread Take-up Cam.....  |
| 65140  | 20923 | " " " 65139 with 448C.....   |
| 3012   | 20923 | " " " Pin.....   |
| 446C   | 20923 | " " " Set Screw.....   |
| *16740 | 20923 | " " Lever with 1819.....   |
| 65034  | ----- | " " " 16740 with 1088C..   |
| 1088C  | 20923 | " " " Hinge Screw.....   |
| 889C   | 20923 | " " " " Set<br>Screw.....  |
| 1819   | 20923 | Thread Take-up Lever Roller and Stud...  |
| 16766  | 20925 | " " Spring.....  |
| 2127   | 20925 | " " " Regulator Plate..  |
| 233J   | 20925 | " " " " Ad-<br>justing Screw.....  |
| 6053   | 20927 | Drip Pan.....  |
| *15404 | ----- | Trade Mark.....  |
| 15405  | ----- | " " Rivet.....   |

## ACCESSORIES

| No.    | Plate | Name   |
|--------|-------|--|
| 51072E | 20927 | Machine Bolt with 51581E, to secure ma-<br>chine to table..... |
| 51581E | 20927 | Machine Bolt Nut.....  |
| 6055   | 20927 | " " " Washer.....  |
| 120342 | 20927 | Oiler (copper plated) with 120343.....                         |
| 120343 | 20927 | " Spout, 3 1/2 in. long.....                                   |
| 26026  | 20927 | Screw Driver (machine).....                                    |
| 26485  | 20927 | " " (shuttle tension).....                                     |
| 8908   | 20927 | Wrench for 1520.....   |
| 4347   | 20927 | " " 1513 and 1518.....   |
| 19079  | 20927 | " " 1678.....  |

## BOBBIN WINDER

(SWINGING AUTOMATIC, RIGHT HAND)

| No.    | Plate | Name   |
|--------|-------|--|
| 27540  | 20928 | Base.....  |
| 15072  | 20928 | Bobbin Position Pin.....   |
| 27302  | 20928 | Frame.....   |
| 50356D | 20928 | " Hinge Screw.....   |
| 1620J  | 20928 | " " " Nut.....   |
| 27303  | 20928 | " Spring.....  |
| 27541  | 20928 | Pulley.....  |
| *27849 | 20928 | Spindle.....   |
| -----  | ----- | " 27849 with 15072, 27850 and 41828  |
| *27850 | 20928 | " Collar.....  |
| 41828  | 20928 | " " Pin.....   |
| 27306  | 20928 | Spool Pin.....   |
| 150534 | 20928 | " Stand.....   |
| 150535 | 20928 | Spool Stand complete, Nos. 418E, 1562J,<br>2106, 10141, 11241, 27306, 150534<br>and two each 2455 and wood screws 1<br>in. No. 10..... |
| 11241  | 20928 | Spool Washer (cloth).....  |
| 27312  | 20928 | Stop Latch.....  |
| 35D    | 20928 | " " Hinge Screw.....   |
| 2455   | 20928 | Tension Disc.....  |
| 1562J  | 20928 | " Regulating Thumb Nut.....  |
| 418E   | 20928 | " Screw Stud.....  |
| 10141  | 20928 | " Spring.....  |
| 2106   | 20928 | " Thread Guide.....  |

## BOBBIN WINDER

| No.    | Plate | Name   |
|--------|-------|--|
| 27647  | 20928 | Bobbin Winder, Nos. 35D, 1620J, 27302, 27303, 27312, 27538, 27540, 27541, 50356D and two wood screws 1 in.No. 7..... |
| 150536 | 20928 | Bobbin Winder (swinging automatic, right hand) complete, Nos. 27647 and 150536                                       |

## CLOTH PLATE

| No.   | Plate | Name   |
|-------|-------|--|
| 16718 | 20924 | Cloth Plate.....   |
| 16719 | 20924 | " " Bracket with 345C.....   |
| 345C  | 20924 | " " " Set Screw.....   |
| 389F  | 20924 | " " " Screw.....   |
| 16695 | 20924 | " " Slide.....   |
| 3286  | 20924 | " " " Spring.....  |
| 725J  | 20924 | " " " Screw.....   |
| 16720 | 20924 | Cloth Plate complete, Nos. 3286, 16695, 16718 and two 725J.....        |
| 16721 | 20924 | Cloth Plate with Bracket complete, Nos. 16719, 16720 and two 389F..... |

## MACHINE BASE

| No.    | Plate | Name   |
|--------|-------|--|
| 7169   | 20927 | Machine Base with four each 6055, 51070E and wood screws 1 in. No. 12..... |
| 51070E | 20927 | Machine Bolt with 51581E, to secure machine to base.....                   |
| 51581E | 20927 | Machine Bolt Nut.....  |
| 6055   | 20927 | " " " Washer.....  |

## WORK GUIDING SLEEVE

| No.    | Plate | Name                                 |
|--------|-------|--------------------------------------|
| 121166 | 20924 | Work Guiding Sleeve with 50379C..... |
| 50379C | 20924 | " " " Stop Screw.....                |

## NUMERICAL LIST OF PARTS

| No.  | Plate | Name   |
|------|-------|--|
| 35D  | 20928 | Bobbin Winder Stop Latch Hinge Screw for 27647.....                  |
| 123E | 20924 | Arm Screw.....   |
| 144D | 20923 | " Shaft Screw.....   |
| 145E | 20923 | Crank Connecting Rod Cap Screw for 4292                              |
| 164J | 20925 | Face Plate Screw.....  |
| 172C | 20926 | Presser Bar Lifting Rock Shaft Arm Clamping Screw for 65137.....     |
| 175E | 20926 | Needle Bar Connecting Stud Clamping Screw for 65135.....             |
| 190J | 20926 | Presser Foot Screw.....  |
| 219C | ----- | Oscillating Shaft Crank Set Screw for 7225.....                      |
| 233J | 20925 | Face Plate Thread Guard (lower) Screw for 16883.....                 |
| 233J | 20925 | Thread Take-up Spring Regulator Plate Adjusting Screw for 16883..... |
| 248A | 20923 | Clamp Stop Motion Clamp Stop Screw for 3022.....                     |
| 256J | 20923 | Clamp Stop Motion Clamp Screw for 3022.                              |
| 262J | 20926 | Pressure Regulating Thumb Screw.....                                 |
| 290E | 20926 | Needle Bar Screw Bushing.....  |
| 290E | 20926 | Presser Bar Screw Bushing.....                                       |
| 345C | 20924 | Cloth Plate Bracket Set Screw for 16719                              |
| 375C | 20923 | Crank Connecting Rod Hinge Screw.....                                |
| 377C | 20926 | Needle Bar Connecting Link Hinge Screw.                              |
| 369F | 20924 | Cloth Plate Bracket Screw for 16721....                              |
| 418E | 20928 | Bobbin Winder Tension Screw Stud for 150535.....                     |
| 446C | 20923 | Thread Take-up Cam Set Screw for 65140.                              |
| 448C | 20923 | Arm Shaft Bushing (back) Set Screw.....                              |
| 448C | 20923 | Balance Wheel Set Screw for 16267.....                               |
| 448C | 20925 | Tension Screw Stud Set Screw for 16883.                              |
| 454C | 20926 | Presser Bar Guide Bracket Set Screw for 65136.....                   |
| 460C | 20925 | Face Plate Thread Guard (upper) Set Screw for 16883.....             |
| 462C | 20923 | Clamp Stop Motion Flanged Bushing Set Screw for 4933.....            |
| 462C | 20923 | Oscillating Shaft Crank Set Screw for 7054.....                      |
| 591F | 20925 | Shuttle Tension Regulating Screw for 40112.....                      |
| 592E | 20925 | Shuttle Bobbin Case Latch Stop Screw for 40112.....                  |
| 600C | 20925 | Tension Screw Stud for 16202.....                                    |
| 662J | 20926 | Needle Bar Thread Eyelet Screw.....                                  |
| 689C | 20926 | Presser Bar Lifter Screw.....  |
| 725J | 20924 | Cloth Plate Slide Spring Screw for 16720.....                        |

## NUMERICAL LIST OF PARTS

| No.   | Plate | Name   |
|-------|-------|--|
| 810D  | 20926 | Presser Bar Lifting Rock Shaft Link Cap Screw.....                     |
| 889C  | 20923 | Thread Take-up Lever Hinge Screw Set Screw.....                        |
| 979D  | 20925 | Shuttle Race Cover Hinge Screw.....                                    |
| 1088C | 20923 | Thread Take-up Lever Hinge Screw for 65034.....                        |
| 1231D | 20925 | Needle Plate Screw.....  |
| 1362C | 20923 | Arm Shaft Counterbalance Position Screw for 65107.....                 |
| 1513J | 20923 | Oscillating Rock Shaft Hinge Pin Nut for 65131.....                    |
| 1518J | 20923 | Crank Connecting Rod Hinge Screw Nut...                                |
| 1518J | 20926 | Needle Bar Connecting Link Hinge Screw Nut.....                        |
| 1520J | 20926 | Presser Bar Lifter Screw Nut.....                                      |
| 1560C | 20925 | Tension Regulating Thumb Nut for 16202..                               |
| 1562J | 20928 | Bobbin Winder Tension Regulating Thumb Nut for 150535.....             |
| 1620J | 20928 | Bobbin Winder Frame Hinge Screw Nut for 27647.....                     |
| 1678C | 20926 | Needle Clamping Nut.....   |
| 1813  | 20923 | Oscillating Shaft Crank Roller and Stud for 7054 and 7225.....         |
| 1819  | 20923 | Thread Take-up Lever Roller and Stud for 16740.....                    |
| 1979  | 20926 | Presser Bar Lifting Rock Shaft Arm Roller and Screw Stud for 65137.... |
| 2020  | 20923 | Clamp Stop Motion Clamp Washer for 3022                                |
| 2022  | ----  | " " Flanged Bushing Pin..  |
| 2049  | ----  | Oscillating Shaft Crank Pin.....                                       |
| 2049  | 20923 | Shuttle Driver Pin for 16835.....                                      |
| 2070  | 20926 | Presser Bar Spring Washer.....   |
| 2102  | 20925 | Tension Disc for 16882.....  |
| 2105  | 20925 | " Thread Guard for 16881.....  |
| 2106  | 20928 | Bobbin Winder Tension Thread Guide for 150535.....                     |
| 2107  | 20925 | Face Plate Thread Guard (lower) for 16883.....                         |
| 2127  | 20925 | Thread Take-up Spring Regulator Plate for 16883.....                   |
| 2455  | 20928 | Bobbin Winder Tension Disc for 150535..                                |
| 2523  | ----  | Shuttle Bobbin Case Position Finger Rivet for 40112.....               |
| 2973  | 20925 | Shuttle Bobbin Case Latch Lever for 15141.....                         |
| 2974  | 20925 | Shuttle Bobbin Case Latch Lever Fulcrum Pin for 15141.....             |
| 2975  | 20925 | Shuttle Bobbin Case Latch Spring for 40112.....                        |

## NUMERICAL LIST OF PARTS

| No.    | Plate | Name  |
|--------|-------|---|
| 2996   | 20925 | Shuttle Bobbin for 16735.....   |
| 3005   | 20923 | Arm Shaft Bushing (back).....   |
| 3012   | 20923 | Thread Take-up Cam Pin.....   |
| 3022   | ----  | Clamp Stop Motion complete, Nos. 248A, 256J, 2020 and 4933.....           |
| *3023  | ----  | Clamp Stop Motion Flanged Bushing for 4933.....                           |
| *3045  | 20926 | Needle Bar Connecting Link for 65134...                                   |
| 3100   | 20926 | Presser Bar Spring.....   |
| 3286   | 20924 | Cloth Plate Slide Spring for 16720.....                                   |
| 4288   | 20923 | Arm Side Cover.....   |
| 4292   | 20923 | Crank Connecting Rod with two 145E.....                                   |
| 4347   | 20927 | Wrench for 1513 and 1518 (Accessories)                                    |
| 4369   | 20924 | Arm Dowel Pin.....  |
| 4448   | 20923 | " Oil Tube for oiling intermediate bearing for 65132.....                 |
| 4784   | 20923 | Oscillating Rock Shaft Oil Pad (felt) for 6022.....                       |
| 4933   | 20923 | Clamp Stop Motion Flanged Bushing 3023 with two 462C for 3022.....        |
| *6022  | ----  | Oscillating Rock Shaft with 4784 for 16806.....                           |
| 6053   | 20927 | Drip Pan.....   |
| 6055   | 20927 | Machine Bolt Nut Washer for 7169.....                                     |
| 6055   | 20927 | " " " " (Accessories)..   |
| 6462   | 20923 | Oscillating Shaft for 16835.....  |
| 7054   | 20923 | " " Crank with 1813 and two 462C.....                                     |
| 7169   | 20927 | Machine Base with four each 6055,51070E and wood screws 1 in. No. 12..... |
| *7225  | ----  | Oscillating Shaft Crank with 219C and 1813 for 16835.....                 |
| 8224   | 20926 | Presser Bar.....  |
| 8879   | 20923 | Arm Spool Pin Washer (cloth).....   |
| 8908   | 20927 | Wrench for 1520 (Accessories).....  |
| 10141  | 20928 | Bobbin Winder Tension Spring for 150535                                   |
| 10148  | 20925 | Tension Spring for 16882.....   |
| 11241  | 20928 | Bobbin Winder Spool Washer (cloth) for 150535.....                        |
| 12296  | 20925 | Face Plate Thread Guard (upper) for 16883.....                            |
| 15072  | 20928 | Bobbin Winder Bobbin Position Pin for 27538.....                          |
| 15140  | 20925 | Shuttle Bobbin Case Latch for 15141....                                   |
| 15141  | ----  | Shuttle Bobbin Case Hinge, Nos. 2973, 2974 and 15140 for 40112.....       |
| 15278  | 20925 | Shuttle Tension Spring for 40112.....                                     |
| *15404 | ----  | Trade Mark for 65132.....   |
| 15405  | ----  | " " Rivet for 65132.....  |



## NUMERICAL LIST OF PARTS

| No.    | Plate | Name   |
|--------|-------|--|
| 16202  | ----- | Tension Screw Stud 600C with 1560C for 16882.....                                  |
| 16267  | 20923 | Balance Wheel (disc) power, 2 3/4 in. pulley, with two 448C.....                   |
| 16278  | 20923 | Balance Wheel (disc) stand, 3 in. pulley, for clamp stop motion.....               |
| 16614  | 20925 | Shuttle Body for 16735.....  |
| 16695  | 20924 | Cloth Plate Slide for 16720.....   |
| *16717 | 20923 | Arm Shaft Bushing (front) for 65132....  |
| 16718  | 20924 | Cloth Plate for 16720.....   |
| 16719  | 20924 | " " Bracket with 345C for 16721  |
| 16720  | 20924 | Cloth Plate complete for 16721, Nos. 3286, 16695, 16718 and two 725J....           |
| 16721  | 20924 | Cloth Plate with Bracket complete, Nos. 16719, 16720 and two 389F.....             |
| 16723  | 20925 | Face Plate for 16881.....  |
| 16725  | 20926 | Needle Bar Thread Eyelet.....  |
| 16726  | ----- | " Plate, large needle hole.....  |
| 16727  | 20925 | " " small needle hole.....   |
| 16730  | 20926 | Presser Bar Lifting Rock Shaft.....  |
| 16733  | 20926 | " " " " Link for 65141.....  |
| 16735  | 20925 | Shuttle 1 1/2 in. diam., Nos. 2996, 16614 and 40112.....                           |
| 16736  | 20923 | Shuttle Driver for 16835.....  |
| 16738  | 20925 | " Race Cover.....  |
| *16740 | 20923 | Thread Take-up Lever with 1819 for 65034.....                                      |
| 16766  | 20925 | Thread Take-up Spring for 16882.....   |
| 16806  | 20923 | Oscillating Rock Shaft 6022 with 65131.  |
| *16835 | ----- | " Shaft 6462 with 2049, 7225 and 16736.....  |
| 16838  | 20925 | Shuttle Race.....  |
| 16881  | ----- | Face Plate 16723 with 2105 for 16883...  |
| 16882  | 20925 | Tension complete for 16883, Nos. 10148, 16202, 16766 and two 2102.....             |
| 16883  | 20925 | Face Plate complete, Nos. 448C, 460C, 2107, 2127, 12296, 16881, 16882 and two 233J |
| 19079  | 20927 | Wrench for 1678 (Accessories).....   |
| 26026  | 20927 | Screw Driver (machine) Accessories....   |
| 26485  | 20927 | " " (shuttle tension) Accessories.....   |
| 27302  | 20928 | Bobbin Winder Frame for 27647.....   |
| 27303  | 20928 | " " Spring for 27647....   |
| 27306  | 20928 | " " Spool Pin for 150535.....  |
| 27312  | 20928 | " " Stop Latch for 27647.....  |
| 27538  | ----- | " Spindle 27849 with 15072, 27850 and 41828 for 27647.....                         |
| 27540  | 20928 | Bobbin Winder Base for 27647.....  |

## NUMERICAL LIST OF PARTS

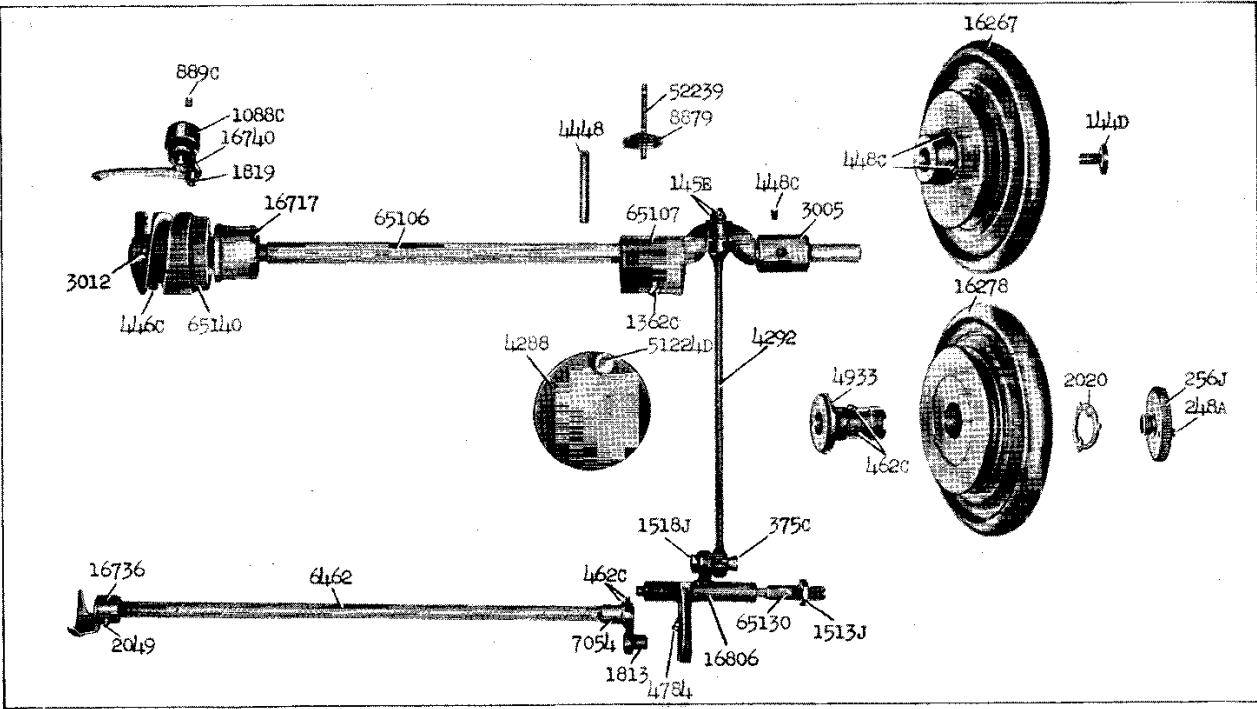
| No.    | Plate | Name   |
|--------|-------|--|
| 27541  | 20928 | Bobbin Winder Pulley for 27647.....  |
| 27647  | 20928 | Bobbin Winder, Nos. 35D, 1620J, 27302, 27303, 27312, 27538, 27540, 27541, 50356D and two wood screws 1 in. No. 7 for 150536..... |
| *27849 | 20928 | Bobbin Winder Spindle for 27538.....   |
| *27850 | 20928 | " " Collar for 27538.  |
| *39623 | ----- | Shuttle Bobbin Case Position Finger for 40112.....   |
| 40112  | 20925 | Shuttle Bobbin Case complete for 16735, Nos. 591F, 592E, 2523, 2975, 15141, 15278 and 39623.....                                 |
| 41828  | 20928 | Bobbin Winder Spindle Collar Pin for 27538.....  |
| 50022C | 20926 | Presser Bar Lifting Rock Shaft Link Hinge Screw for 65141.....   |
| 50258J | 20925 | Shuttle Race Screw.....  |
| 50356D | 20928 | Bobbin Winder Frame Hinge Screw for 27647.....   |
| 50379C | 20924 | Work Guiding Sleeve Stop Screw for 121166.....   |
| 51070E | 20927 | Machine Bolt with 51581E, to secure machine to base for 7169.....  |
| 51072E | 20927 | Machine Bolt with 51581E, to secure machine to table (Accessories).....  |
| 51224D | 20923 | Arm Side Cover Thumb Screw.....  |
| 51581E | 20927 | Machine Bolt Nut for 51070E and 51072E.  |
| 52016  | 20926 | Presser Bar Lifter.....  |
| 52239  | 20923 | Arm Spool Pin and Thread Eyelet.....   |
| 65034  | ----- | Thread Take-up Lever 16740 with 1088C..  |
| *65037 | ----- | Presser Foot for 65039.....  |
| 65038  | ----- | " " Finger Guard for 65039....   |
| 65039  | 20926 | Presser Foot with Finger Guard complete, Nos. 65037 and 65038.....   |
| 65106  | 20923 | Arm Shaft for 65133.....   |
| 65107  | 20923 | " " Counterbalance with 1362C for 65133.....   |
| *65108 | ----- | Cylinder 1 7/8 in. diam.....   |
| 65109  | 20926 | Needle Bar (hollow).....   |
| 65130  | 20923 | Oscillating Rock Shaft Hinge Pin for 65131.....  |
| 65131  | ----- | Oscillating Rock Shaft Hinge Pin 65130 with 1513J for 16806.....   |
| *65132 | ----- | Arm with 4448, 15404, 16717 and two 15405  |
| 65133  | ----- | " Shaft 65106 with 65107 and 65139...  |
| 65134  | ----- | Needle Bar Connecting Link 3045 with 65135.....  |
| 65135  | 20926 | Needle Bar Connecting Stud with 175E for 65134.....  |

## NUMERICAL LIST OF PARTS

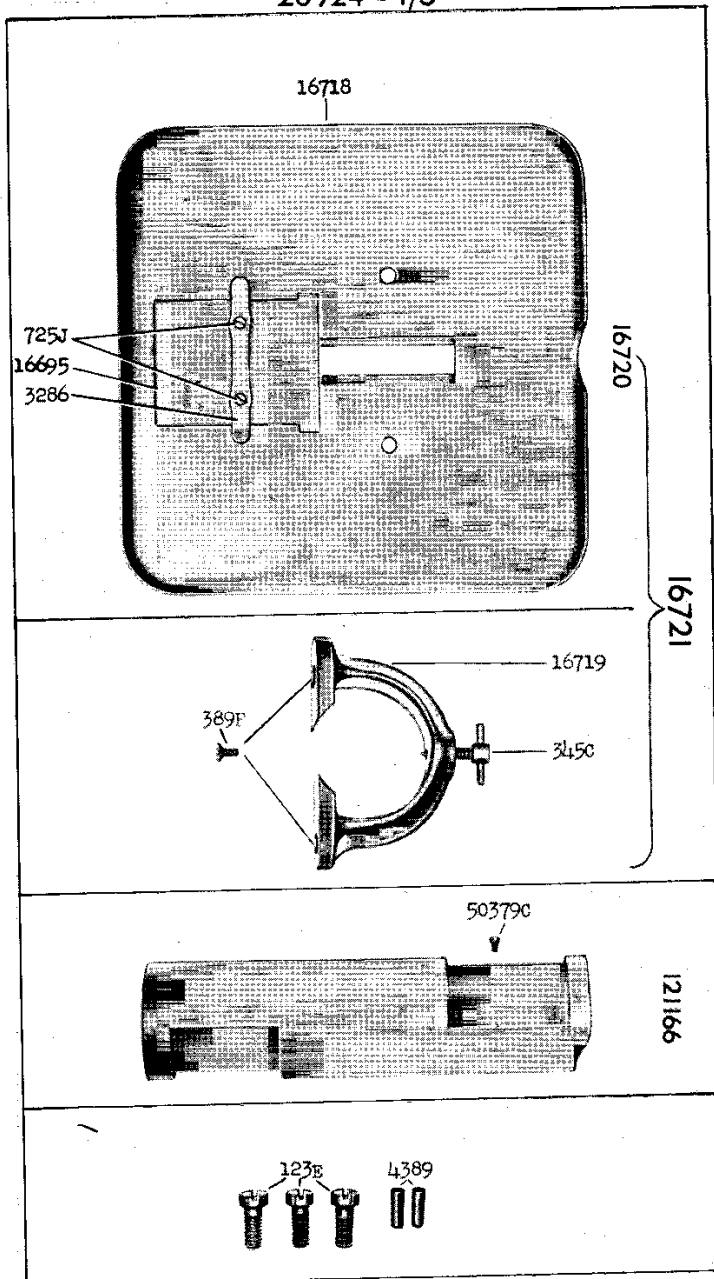
| No.    | Plate | Name  |
|--------|-------|---|
| 65136  | 20926 | Presser Bar Guide Bracket with 454C for 65141.....  |
| 65137  | 20926 | Presser Bar Lifting Rock Shaft Arm with 172C and 1979.....  |
| 65138  | 20926 | Presser Bar Lifting Rock Shaft Arm Spring.....  |
| *65139 | ----- | Thread Take-up Cam for 65133 and 65140.   |
| 65140  | 20923 | " " " 65139 with 446C.....  |
| 65141  | ----- | Presser Bar Guide Bracket 65136 with 16733 and 50022C.....  |
| 120342 | 20927 | Oiler (copper plated) with 120343 (Accessories).....  |
| 120343 | 20927 | Oiler Spout, 3 1/2 in. long for 120342.   |
| 121166 | 20924 | Work Guiding Sleeve with 50379C.....  |
| 150534 | 20928 | Bobbin Winder Spool Stand for 150535...   |
| 150535 | 20928 | Bobbin Winder Spool Stand complete for 150536, Nos. 418E, 1562J, 2106, 10141, 11241, 27306, 150534 and two each 2455 and wood screws 1 in. No. 10.. |
| 150536 | 20928 | Bobbin Winder (swinging automatic, right hand) complete, Nos. 27647 and 150535  |

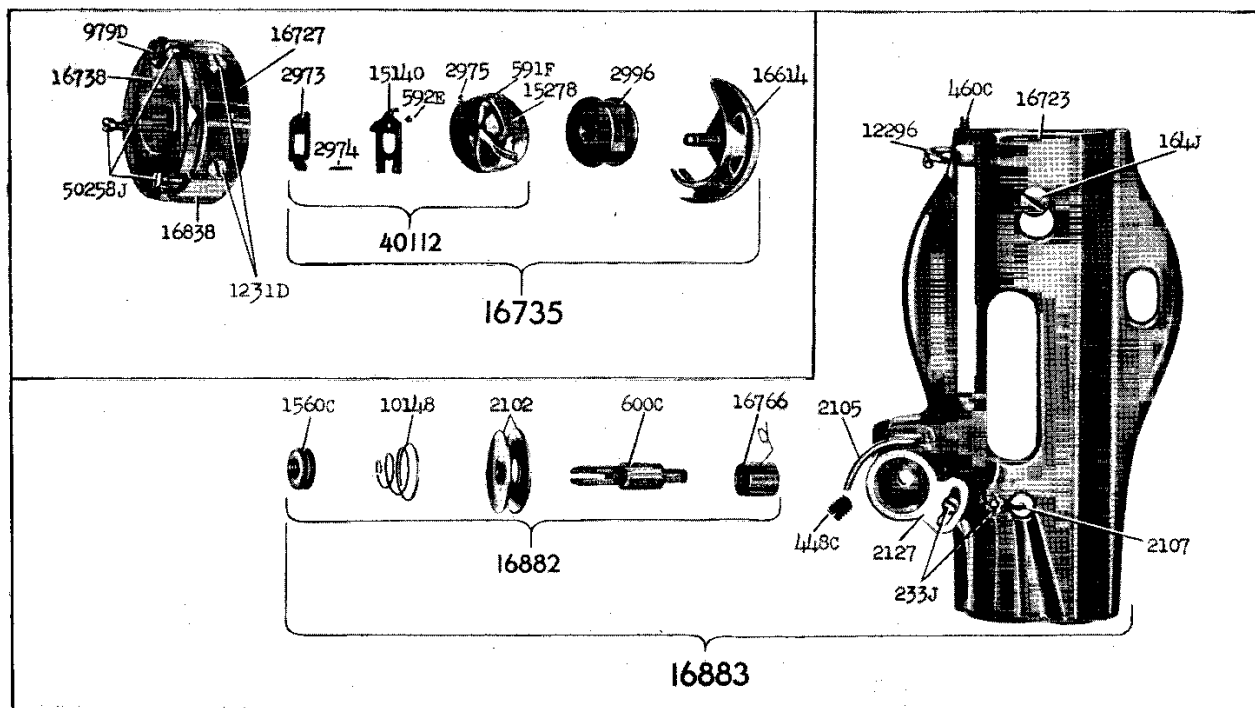
Genuine Singer Needles should be used  
in Singer Machines.  
These Needles and their Containers  
are marked with the  
Company's Trade Mark "SIMANCO." 1

Needles in Containers marked  
"For Singer Machines"  
are not Singer made needles. 2

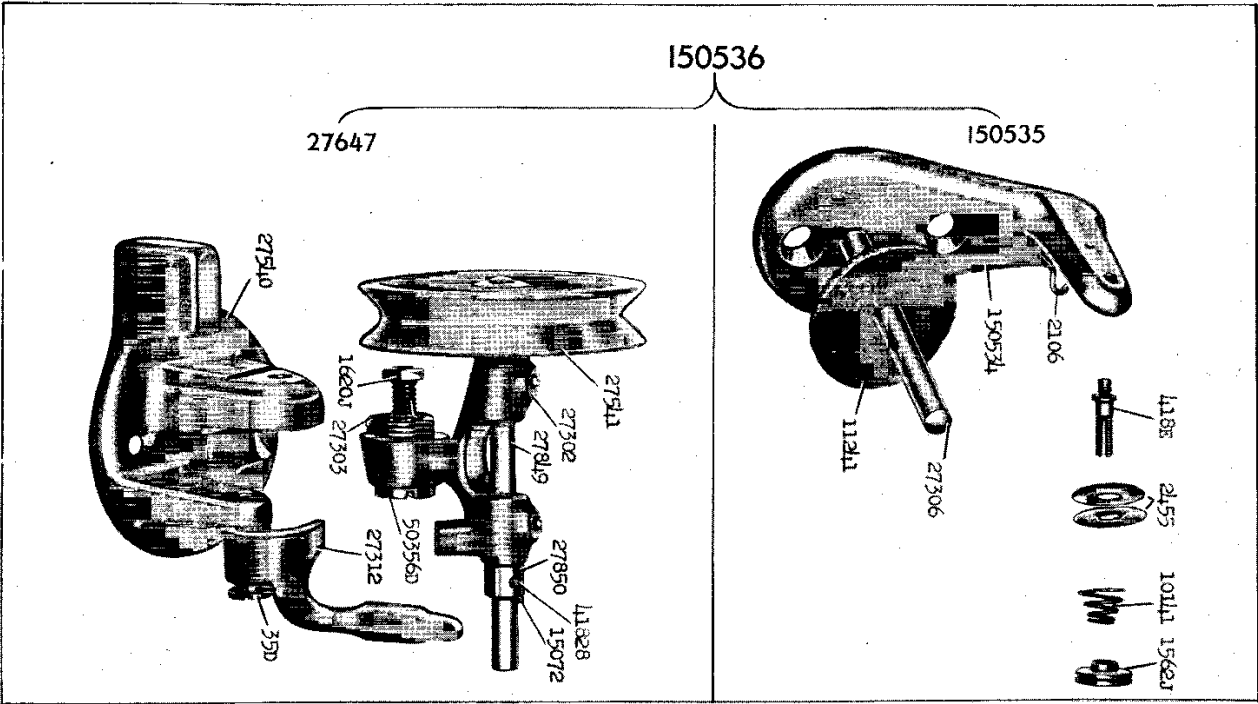


20923 - 1/4





20925 - 1/2



Genuine Singer Needles should be used  
in Singer Machines.  
These Needles and their Containers  
are marked with the  
Company's Trade Mark "SIMANCO." 1

Needles in Containers marked  
"For Singer Machines"  
are not Singer made needles. 2