

SINGER
18U122

MACHINE PARTS CHART
for
SINGER*

18U122

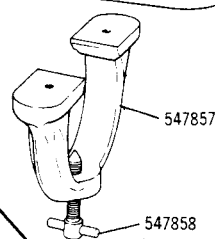
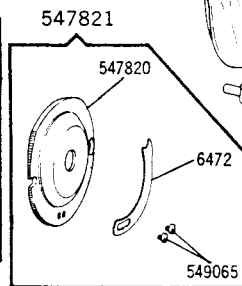
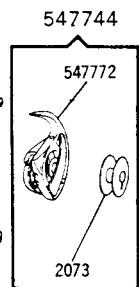
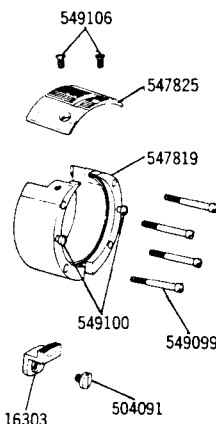
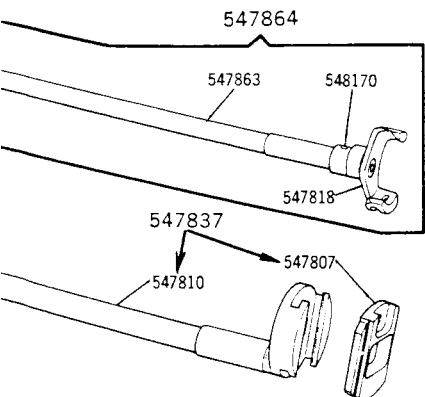
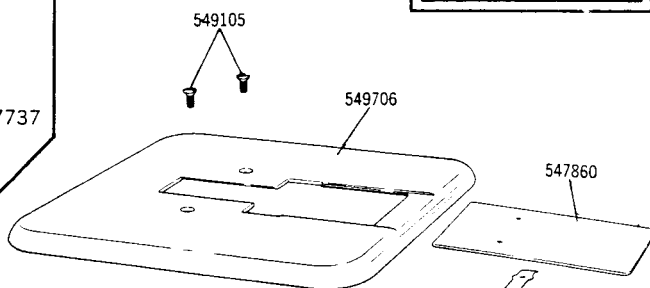
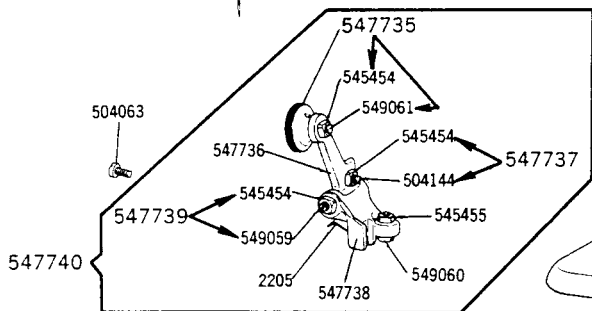
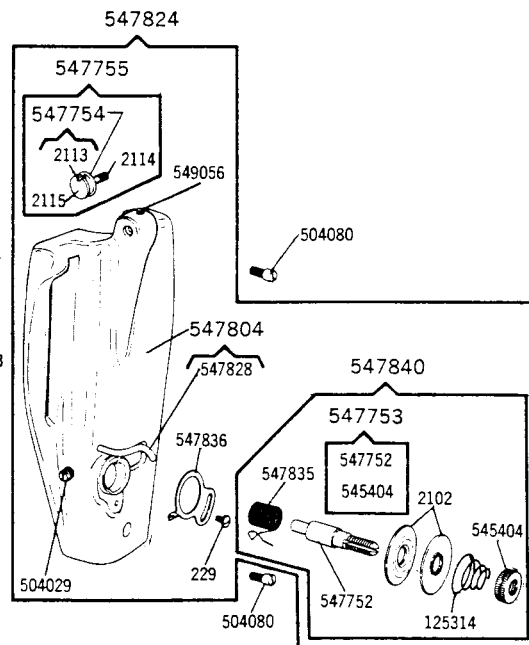
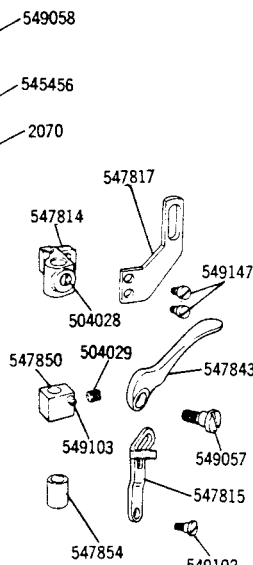
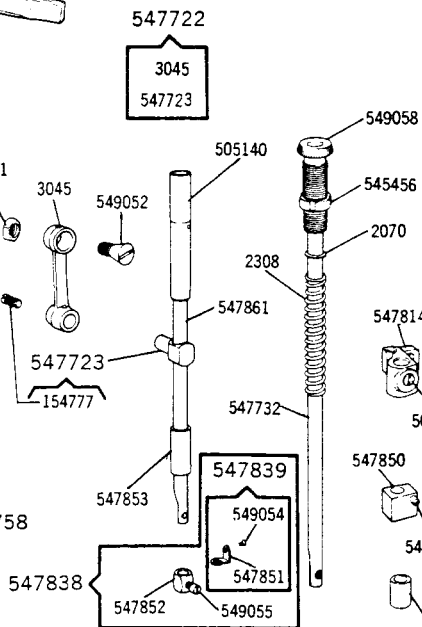
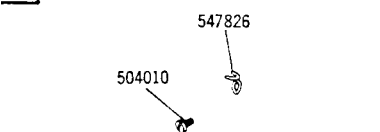
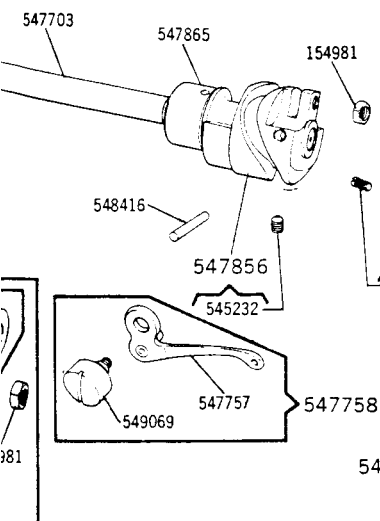
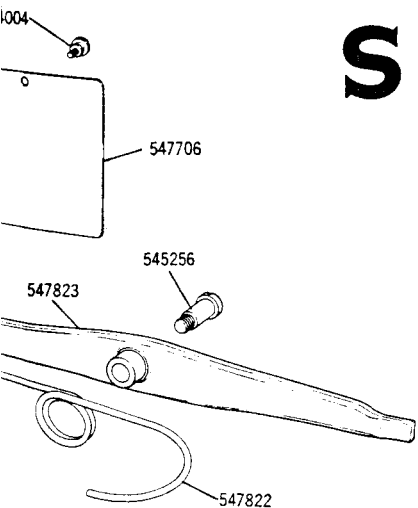
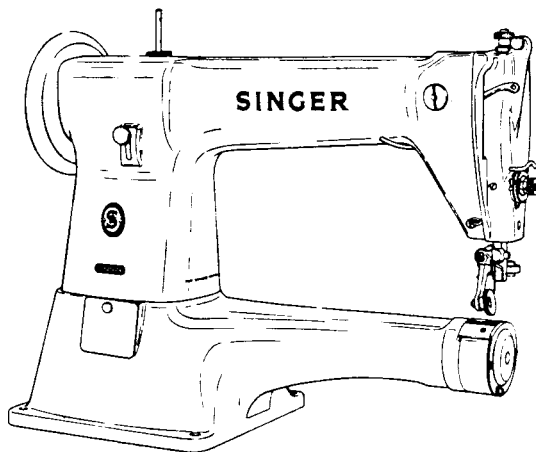
* A Trademark of THE SINGER COMPANY

© THE SINGER COMPANY 1968

Printed in Japan

SINGER*

18U122



NUMERICAL LIST OF PARTS FOR MACHINE 18U122

PART NO.	DESCRIPTION
547854	Presser Bar Bushing
547855	Cylinder Side Cover
547856	Thread Take-up Cam with 545232 (833)
547861	Needle Bar (hollow)
547862	Arm Shaft Counterbalance
547863	Oscillating Shaft
547864	Oscillating Shaft 547863 with 547774, 547818 and 548170
547865	Arm Shaft Bushing (front)
547961	Belt Safety Guard Shaft
548170	Oscillating Shaft Crank Pin
548170	Shuttle Driver and Feed Lifting Cam Pin
548416	Thread Take-up Cam Pin
549051 (803)	Feed Rock Shaft Crank Position Screw
549052 (803)	Needle Bar Connecting Link Hinge Screw
549054 (851)	Needle Clamp Thread Guide Screw
549055 (858)	Needle Clamp Screw
549056 (833)	Thread Retaining Stud Set Screw
549057 (810)	Presser Bar Lifter Hinge Screw
549058 (851)	Pressure Regulating Thumb Screw
549059 (810)	Roller Arm Screw Center (2)
549060 (810)	Roller Arm Lock Spring Screw
549061 (810)	Roller Screw
549065 (810)	Shuttle Race Cap Latch Screw (2)
549069 (851)	Thread Take-up Lever Hinge Screw
549074 (803)	Feed Regulator Hinge Screw
549083 (809)	Oscillating Shaft Crank Slide Block Cap Screw
549087 (851)	Feed Regulator Thumb Screw
549099 (810)	Shuttle Race Screw (4)
549100 (810)	Shuttle Race Cap Screw (2)
549102 (810)	Tension Releaser Hinge Screw
549103 (810)	Tension Releaser Collar Screw Pin
549106 (806)	Throat Plate Screw (2)
549147 (803)	Presser Bar Lifter Bracket Lifting Plate Set Screw (2)

ACCESSORIES

6053	Drip Pan
549071 (809)	Machine Bolt (4)
547766	Machine Bolt 549071 (809) with 545464 (809) and 6055
545464 (809)	Machine Bolt Nut (4)
6055	Machine Bolt Washer (4)
2083 (16×2)	Needle (6)
PN 962	Oiler (filled with Singer Type "B" Oil)
2180	Presser Foot
PN 963	Screw Driver (large)
PN 964	Screw Driver (small)
2073	Shuttle Bobbin (4)
4918	Wrench (for 545456)
547930	Wrench (for 154981)
547846	Wrench (for 545454 and 545455)

KNEE LIFTER PARTS

PART NO.	DESCRIPTION
547829	Presser Bar Lifter Lever Chain
505397	Rock Shaft
547830	Rock Shaft complete, Nos. 505397, 547832, 547833, two each 505651 and 505398 and four Wood Screws (1 in., No. 10)
505398	Rock Shaft Hanger (2)
547831	Rock Shaft Knee Arm
547832	Rock Shaft Knee Arm complete, Nos. 504510 (809), 547831, 505400 and 505402
504510 (809)	Rock Shaft Knee Arm Clamping Nut
505400	Rock Shaft Knee Arm Hub with 504105 (809)
504105 (809)	Rock Shaft Knee Arm Hub Set Screw
505402	Rock Shaft Knee Plate with 504105 (809)
504105 (809)	Rock Shaft Knee Plate Set Screw
547833	Rock Shaft Lifting Bracket with 6338 and two 504105 (809)
6338	Rock Shaft Lifting Bracket Hook
504105 (809)	Rock Shaft Lifting Bracket Hook Set Screw
504105 (809)	Rock Shaft Lifting Bracket Set Screw
505651	Rock Shaft Stop Dog with 504105 (809)
504105 (809)	Rock Shaft Stop Dog Set Screw (2)

BOBBIN WINDER

547845	Universal Bobbin Winder complete, Nos. 545968, 545969, 545976, 547867, 547868, 547869, 547870, 547872, 547874, 547876, 547878, 547879, 547881, 547883, 549201 (819), 549202 (819), 549206 (819), 549207 (819) and two 547880 with two 5.5×19 Wood Screws
547867	Bobbin Winder and Tension Bracket Base
547868	Bobbin Winder Brake
547869	Bobbin Winder Brake Clamp
549202 (819)	Bobbin Winder Brake Clamp Screw
547870	Bobbin Winder Frame with 547871 and 547873
547871	Bobbin Winder Frame Felt
547872	Bobbin Winder Frame Hinge Stud
547873	Bobbin Winder Frame Oil Cup
545968	Bobbin Winder Frame Spring
545969	Bobbin Winder Frame Spring Plunger
547874	Bobbin Winder Pulley with 549204 (819)
549204 (819)	Bobbin Winder Pulley Set Screw
547875	Bobbin Winder Spindle
547876	Bobbin Winder Spindle 547875 with 547877

PART NO.	DESCRIPTION
547877	Bobbin Winder Spindle Spring
547878	Bobbin Winder Stop Latch
549206 (819)	Bobbin Winder Stop Latch Screw
547879	Bobbin Winder Stop Latch Thumb Lever
547880	Bobbin Winder Stop Latch Thumb Lever Hinge Stud (2)
547881	Bobbin Winder Stop Latch Trip Lever
549207 (819)	Bobbin Winder Stop Latch Trip Lever Hinge Screw
547882	Bobbin Winder Tension Bracket with 547884
547883	Bobbin Winder Tension complete, Nos. 547882, 545972, 545470 (819) and two 545975
549201 (819)	Bobbin Winder Tension Bracket Screw
545976	Bobbin Winder Tension Bracket Screw Washer
545975	Bobbin Winder Tension Disc (2)
545972	Bobbin Winder Tension Spring
547884	Bobbin Winder Tension Stud
545470 (819)	Bobbin Winder Tension Stud Thumb Nut Wood Screw 5.5×19 (2)

THREAD UNWINDER

505656	Thread Unwinder (for two spools) complete, Nos. 545465 (856), 545466 (856), 545467 (856), 546727, 546728, 546729, 546730, 546734, 546735, 546736, 546738, 546740, three 549171 and two each 545468 (856), 546732, 546733, 546737, 546739 and 546741
546732	Thread Unwinder Spool Pin (2)
545468 (856)	Thread Unwinder Spool Pin Nut (2)
546739	Thread Unwinder Spool Pin Spring Washer (2)
546741	Thread Unwinder Spool Pin Washer (2)
546738	Thread Unwinder Spool Rest Bushing with 549172 (850)
545466 (856)	Thread Unwinder Spool Rest Bushing Nut
546736	Thread Unwinder Spool Rest Bushing Nut Washer
549172 (850)	Thread Unwinder Spool Rest Bushing Set Screw
546737	Thread Unwinder Spool Rest Felt (2)
546730	Thread Unwinder Spool Rest (for two spools)
546728	Thread Unwinder Spool Rest Rod (lower)
549170 (828)	Thread Unwinder Spool Rest Rod (lower) Set Screw
546729	Thread Unwinder Spool Rest Rod (upper)
545467 (856)	Thread Unwinder Spool Rest Rod (upper) Nut
546727	Thread Unwinder Spool Stand with 549170 (828)
546733	Thread Unwinder Thread Guide (2)

NUMERICAL LIST OF PARTS FOR MACHINE 18U122

PART NO.	DESCRIPTION	PART NO.	DESCRIPTION	PART NO.	DESCRIPTION
229 (809)	Thread Take-up Spring Regulator Plate Adjusting Screw	545056 (833)	Oscillating Shaft Crank Set Screw	547757	Thread Take-up Lever with Roller and Roller Stud
2070	Presser Bar Spring Washer	545232 (833)	Arm Shaft Bushing (back) Set Screw	547758	Thread Take-up Lever 547757 with 549069 (851)
2073	Shuttle Bobbin	545232 (833)	Thread Take-up Cam Set Screw	547767	Arm Shaft Bushing (inter- mediate)
2102	Tension Disc (2)	545236 (803)	Feed Rock Shaft Crank Set Screw	547769	Arm Shaft Bushing (Back)
2113	Thread Retaining Disc Steady Pin	545256 (850)	Lifting Lever Hinge Screw	547772	Shuttle Body with Cover
2114	Thread Retaining Spring	545284 (802)	Arm Shaft Screw	547774	Oscillating Shaft Crank com- plete, Nos. 547731, 547790, 549083 (809), 12424 and 545056 (833)
2115	Thread Retaining Stud	545382 (850)	Machine Pulley Set Screw (2)		Feed Rock Shaft Crank with 545236 (803)
2205	Roller Arm Lock Spring	545404 (856)	Tension Disc Regulating Thumb Nut	547786	Oscillating Shaft Crank Slide Block
2308	Presser Bar Spring	545454 (809)	Roller Arm Adjusting Screw Nut	547790	Oscillating Rock Shaft Oil Pad (felt)
3045	Needle Bar Connecting Link	545454 (809)	Roller Arm Screw Center Nut (2)	547791	Face Plate with 547828
6472	Shuttle Race Cap Latch	545454 (809)	Roller Screw Nut	547804	Feed Regulator 547809 with 549087 (851)
12424	Oscillating Shaft Crank Slide Block Cap Screw Washer	545455 (809)	Roller Arm Lock Spring Screw Nut	547805	Feed Dog Carrier
16303	Feed Dog	545456 (851)	Pressure Regulating Thumb Screw Lock Nut	547807	Feed Regulator
52165	Feed Connecting Link	547703.	Arm Shaft	547809	Feed Rock Shaft
52239	Arm Spool Pin and Thread Eyelet	547704	Arm Shaft 547703 with 547743, 547856, 548416, 547862 and 504002 (850)	547810	Machine Pulley (disc) with two 545382 (850)
125044	Crank Connecting Rod Oil Pad (felt)	547706	Arm Side Cover	547814	Presser Bar Lifter Bracket
125314	Tension Spring	547707	Crank Connecting Rod with 125044 and two 504071 (833)	547815	Tension Releaser
139603	Feed Regulator Hinge Screw Friction Washer	547722	Needle Bar Connecting Link 3045 with 547723	547817	Presser Bar Lifter Bracket Lifting Plate
154759 (850)	Crank Connecting Rod Hinge Screw	547723	Needle Bar Connecting Stud with 154777 (850)	547818	Shuttle Driver and Feed Lifting Cam
154759 (850)	Feed Connecting Link Hinge Screw (2)	547725	Oscillating Rock Shaft with 547791	547819	Shuttle Race
154759 (850)	Feed Forked Connection Hinge Screw	547726	Oscillating Rock Shaft com- plete, Nos. 547725 with 547728	547820	Shuttle Race Cap
154777 (850)	Needle Bar Connecting Stud Set Screw	547727	Oscillating Rock Shaft Hinge Pin	547821	Shuttle Race Cap complete, Nos. 6472, 547820 and two 549065 (810)
154981 (819)	Crank Connecting Rod Hinge Screw Nut	547728	Oscillating Rock Shaft Hinge Pin	547822	Shuttle Race Cap complete, Nos. 504029 (833), 549056 (833), 547755, 547836, 547840, 547804 and 229 (809)
154981 (819)	Feed Connecting Link Hinge Screw Nut (2)	547731	Oscillating Rock Shaft Hinge Pin 547727 with 504504 (819)	547823	Lifting Lever Spring
154981 (819)	Feed Forked Connection Hinge Screw Nut	547732	Oscillating Shaft Crank with Slide Block Screw Stud	547824	Lifting Lever
154981 (819)	Needle Bar Connecting Link Hinge Screw Nut	547733	Presser Bar		Face Plate complete, Nos. 504029 (833), 549056 (833), 547755, 547836, 547840, 547804 and 229 (809)
504002 (850)	Arm Shaft Bushing (inter- mediate) Set Screw	547735	Roller with 549061 (810) and 545454 (809)	547825	Throat Plate
504002 (850)	Arm Shaft Counterbalance Set Screw	547736	Roller Arm	547826	Arm Thread Eyelet
504002 (850)	Feed Cam Set Screw	547737	Roller Arm Adjusting Screw 504144 (810) with 545454 (809)	547828	Tension Thread Guard
504004 (852)	Arm Side Cover Thumb Screw	547738	Roller Arm Bracket	547835	Thread Take-up Spring
504004 (852)	Cylinder Side Cover Thumb Screw	547739	Roller Arm Screw Center 549059 (810) with 545454 (809)	547836	Thread Take-up Spring Regulator Plate
504010 (853)	Arm Thread Eyelet Set Screw	547740	Roller Presser complete (7/8 in. fine roller) Nos. 549060 (810), 545455 (809), 547735, 547736, 2205, 547738, 547737 and two 547739	547837	Feed Rock Shaft 547810 with 547807
504028 (803)	Presser Bar Lifter Bracket Set Screw	547743	Feed Cam with 504002 (850)	547838	Needle Clamp (body) 547852 with 549055 (858) and 547839
504029 (833)	Belt Safety Guard Set Screw (2)	547744	Shuttle Bobbin 2073 with 547772	547839	Needle Clamp Thread Guide 547851 with 549054 (851)
504029 (833)	Tension Screw Stud Set Screw	547752	Tension Screw Stud	547840	Tension complete, Nos. 125314, 547835, 547753 and two 2102
504029 (833)	Tension Releaser Collar Set Screw	547753	Tension Screw Stud 547752 with 545404 (856)	547842	Belt Safety Guard with two 504029 (833)
504063 (810)	Roller Presser Screw	547754	Thread Retaining Disc with 2113	547843	Presser Bar Lifter
504064 (805)	Arm Screw (3)	547755	Thread Retainer Guide com- plete, Nos. 547754, 2114 and 2115	547847	Feed Forked Connection
504071 (833)	Crank Connecting Rod Cap Screw (2)			547848	Feed Forked Connection com- plete, Nos. 547847, 52165, 547805 and two each 154759 (850) and 154981 (819)
504080 (851)	Face Plate Screw (2)			547850	Tension Releaser Collar
504091 (803)	Feed Dog Screw			547851	Needle Clamp Thread Guide
504101 (830)	Belt Safety Guard Shaft Set Screw			547852	Needle Clamp (body)
504144 (810)	Roller Arm Adjusting Screw			547853	Needle Bar Bushing (lower)
504504 (819)	Oscillating Rock Shaft Hinge Pin Lock Nut				
505001	Arm Dowel Pin (2)				
505008	Arm Spool Pin Washer (felt)				
505140	Needle Bar Bushing (upper)				

NUMERICAL LIST OF PARTS FOR MACHINE 18U122

PART NO.	DESCRIPTION
545465 (856)	Thread Unwinder Thread Guide Lock Nut
546740	Thread Unwinder Thread Guide Lock Nut Spring Washer
546734	Thread Unwinder Thread Guide Position Cup
546735	Thread Unwinder Thread Guide Rod Washer
549171	Wood Screw 1" No. 10 (3)

CLOTH PLATE

549706	Cloth Plate ✓
547857	Cloth Plate Bracket
547858	Cloth Plate Bracket Set Screw
549105 (853)	Cloth Plate Screw (2)
547860	Cloth Plate Slide
547849	Cloth Plate Slide Spring
549148 (832)	Cloth Plate Slide Spring Screw (2)