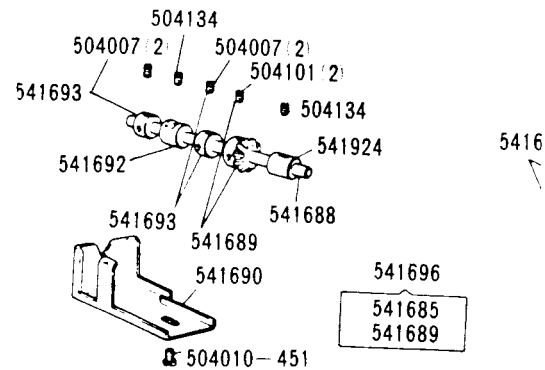
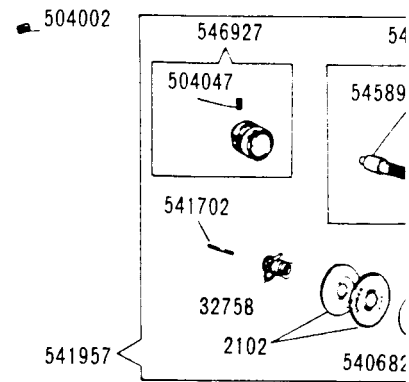
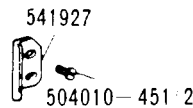
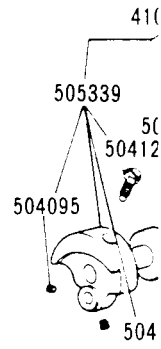
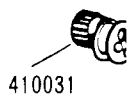
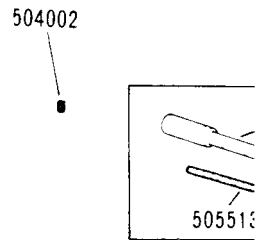
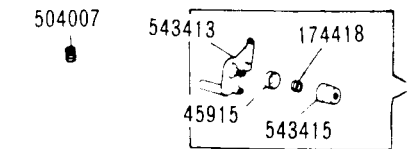
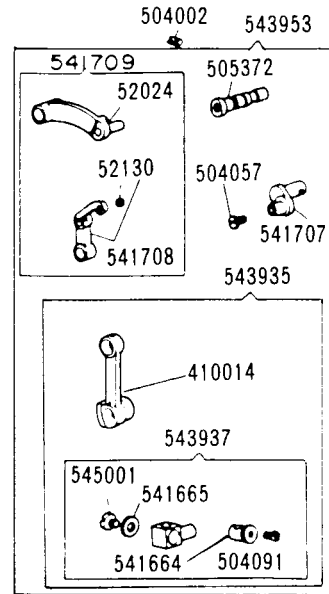
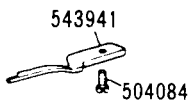
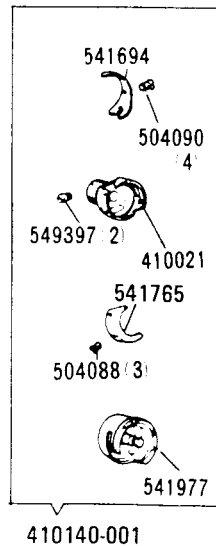
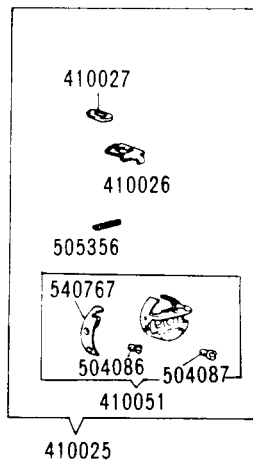
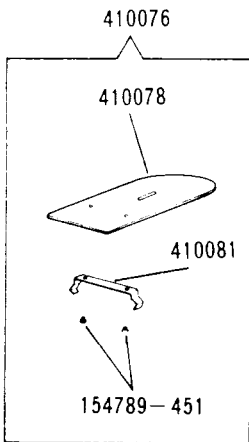
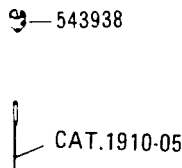
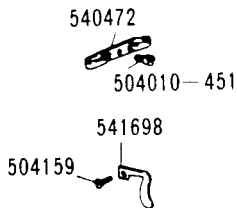
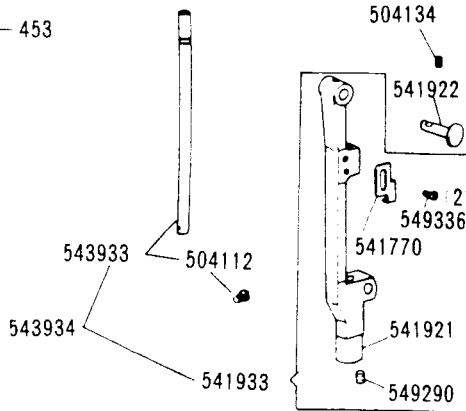
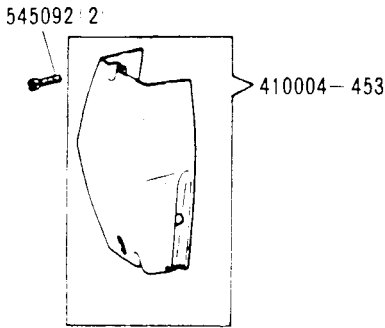
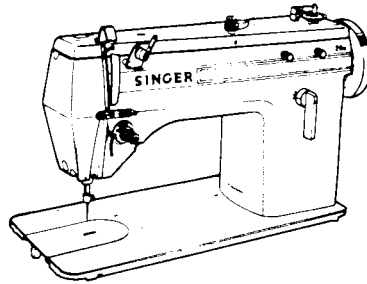
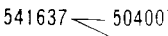
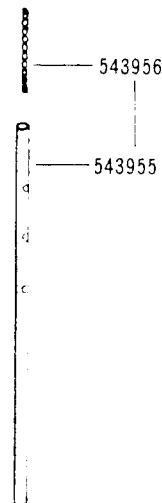
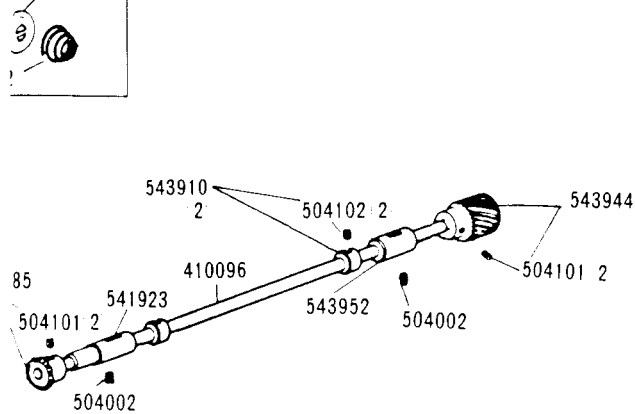
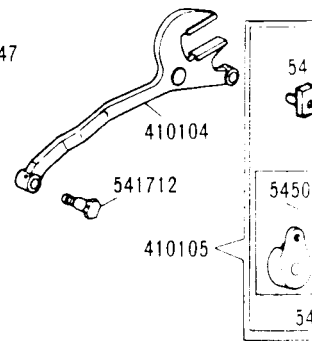
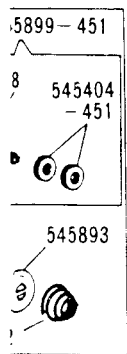
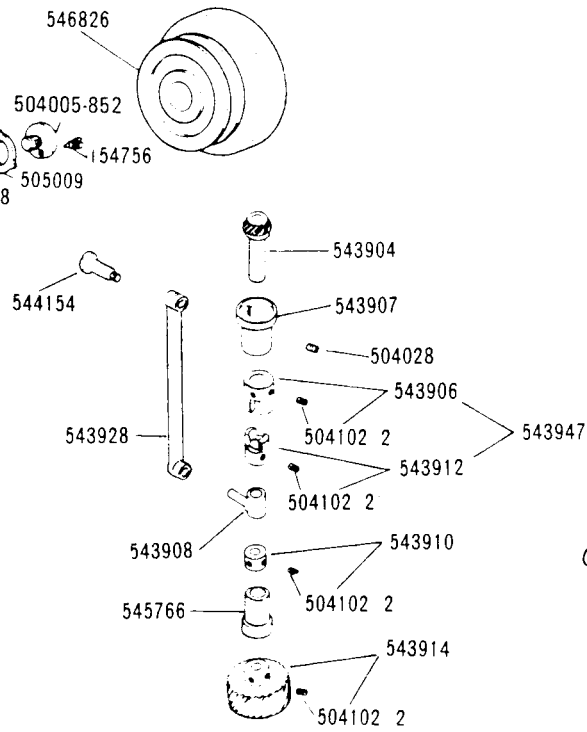
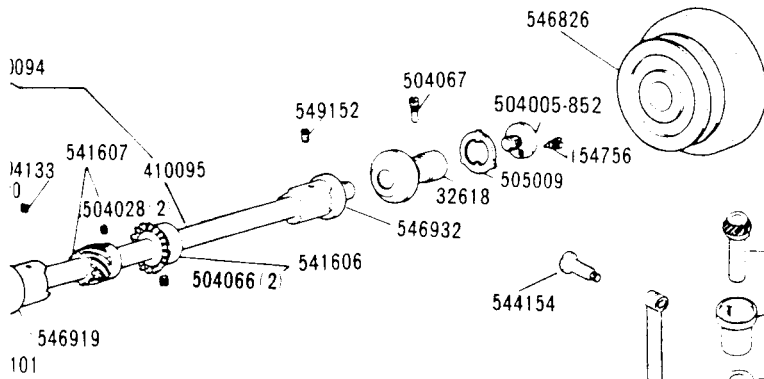
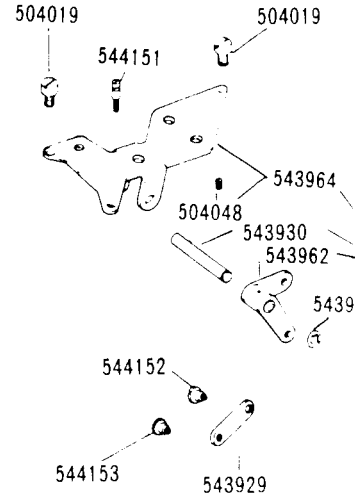
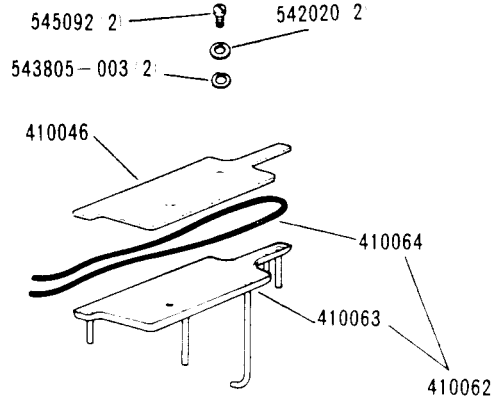
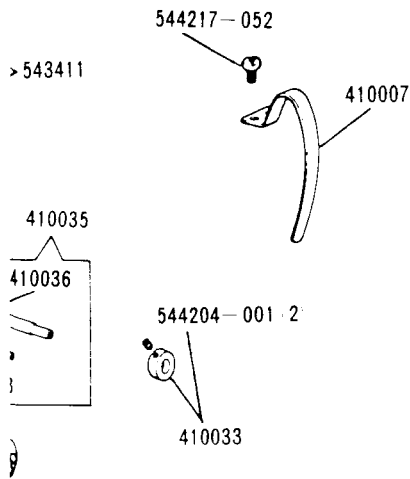


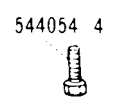
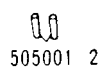
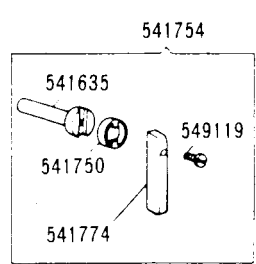
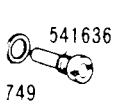
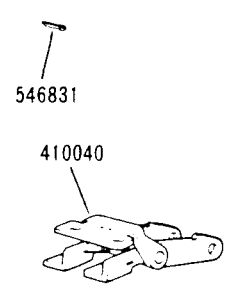
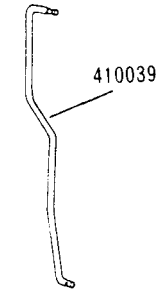
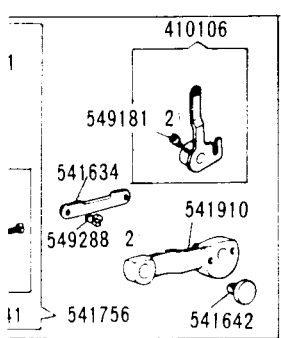
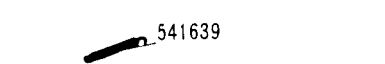
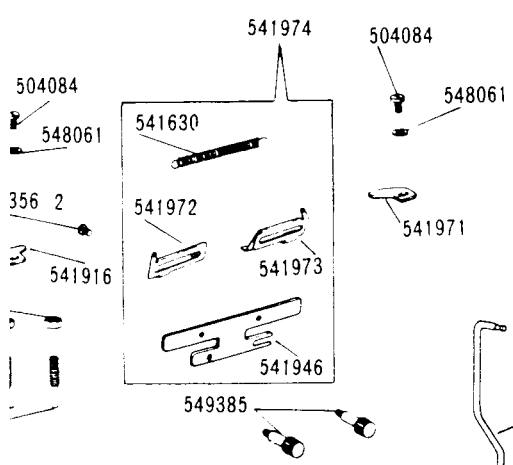
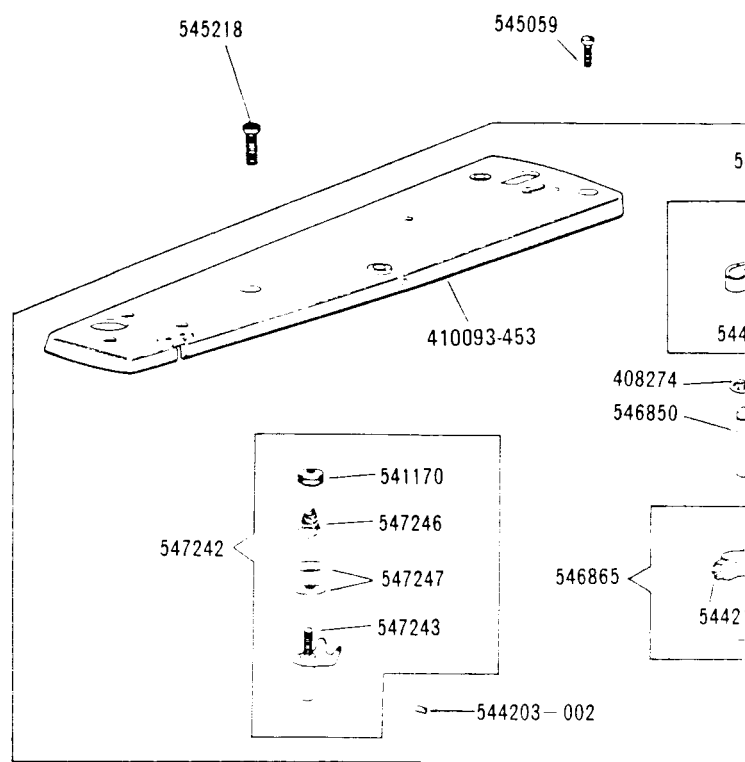
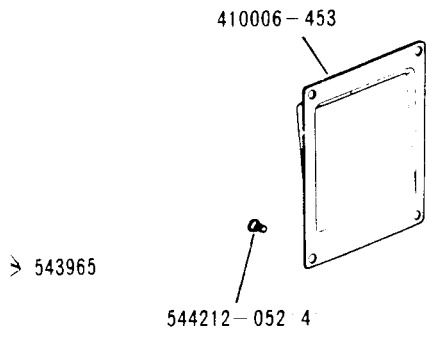
SINGER
20UX142

SINGER*

20UX142





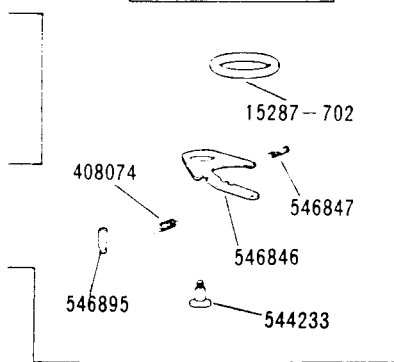


410092-453

8

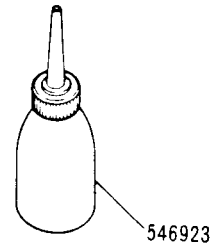
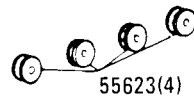
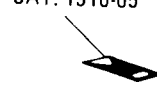
-053

410010

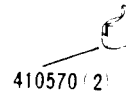
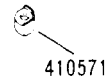
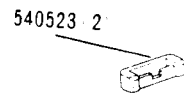
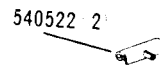
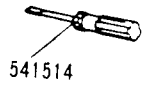
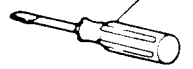


ACCESSORIES AND ATTACHMENTS

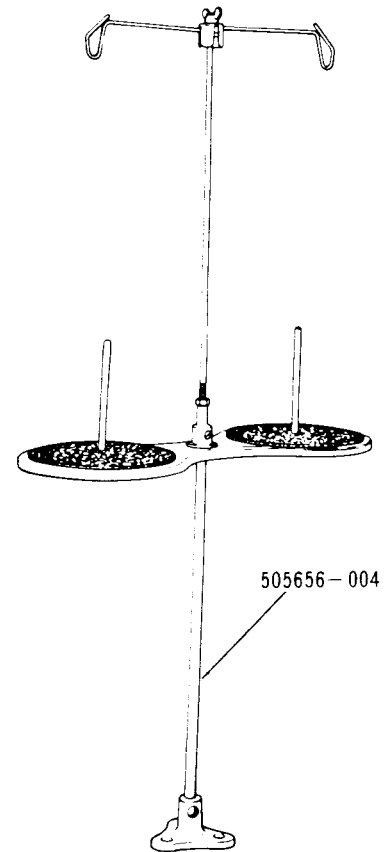
CAT. 1910-05



541558



546920-002 4



NUMERICAL LIST OF PARTS FOR 20UX 142 M/C

PART NO.	DESCRIPTION	PART NO.	DESCRIPTION
2102	Tension Disc (2)	504087	Rotating Hook Bobbin Case Tension Spring Screw
15287-702	Bobbin Winder Friction Ring	504088	Rotating Hook Section Screw (3)
32618	Clamp Stop Motion Clamp Flanged Bushing	504090	Rotating Hook Thread Guard Screw (4)
32758	Thread Take-up Spring	504091	Needle Bar Set Screw
45915	Pre-Tension Disc	504095	Thread Take-up Crank Position Screw
52024	Thread Take-up Lever Link	504099	Bell Crank Bracket Screw (2)
52130	Thread Take-up Lever Thread Eyelet Bushing	504101	Rotating Hook Drive Shaft Screw Gear (back) Set Screw (2)
55623	Rotating Hook Bobbin	504101	Rotating Hook Drive Shaft Bevel Gear (front) Set Screw (2)
154756	Clamp Stop Motion Clamp Stop Screw	504101	Rotating Hook Shaft Bevel Gear Set Screw (2)
154789-451	Throat Plate Spring Screw (2)	504101	Thread Take-up Crank Set Screw
174418	Pre-Tension Spring	504101	Arm Shaft (upright) Bevel Gear (upper) Joint Set Screw (2)
408074	Bobbin Winder Bracket Regulating Plate Spring	504102	Arm Shaft (upright) Retainer Collar Set Screw (2)
408274	Bobbin Winder Latch Stud Ring	504102	Rotating Hook Drive Shaft Retainer Collar Set Screw (4)
410004-453	Face Plate Complete	504102	Arm Shaft (upright) Retainer Joint Set Screw (2)
410006-453	Arm Side Cover	504102	Arm Shaft (upright) Screw Gear Set Screw (2)
410007	Thread Take-up Lever Guard	504102	Needle Set Screw
410010	Bobbin Winder Bracket Complete	504102	Needle Bar Crank Position Screw
410014	Needle Bar Connecting Link	504102	Arm Shaft (horizontal) Flanged Bushing (front) Set Screw
410021	Rotating Hook	504102	Needle Bar Frame Pin Set Screw
410025	Rotating Hook Bobbin Case Complete, Nos. 410026, 410027, 410051 and 505356	504102	Rotating Hook Shaft Bushing (short) Set Screw
410026	Rotating Hook Bobbin Case Latch	504102	Rotating Hook Shaft Bushing (long) Set Screw
410027	Rotating Hook Bobbin Case Latch Lever	504102	Slack Thread Regulator Set Screw
410031	Zig-Zag Triangular Cam Gear and Zig-Zag Triangular Cam Complete	505001	Arm Dowel Pin (2)
410033	Zig-Zag Triangular Cam Shaft Collar with two 544204	505009	Clamp Stop Motion Clamp Washer
410035	Zig-Zag Triangular Cam Shaft Complete, Nos. 410036 and 505513	505339	Needle Bar Crank with 504095, 504101 and 504102
410036	Zig-Zag Triangular Cam Shaft	505356	Rotating Hook Bobbin Case Latch Spring
410039	Bight Amplitude Slide Block Crank Knee Operating Connection	505372	Thread Take-up Lever Link Hinge Pin
410040	Bell Crank Complete	505513	Zig-Zag Triangular Cam Shaft Oil Wick
410046	Oil Reservoir Felt	540472	Thread Guard (upper)
410051	Rotating Hook Bobbin Case with 504086, 504087, and 540767	540682	Tension Spring
410062	Oil Reservoir 410063 with 410064	540767	Rotating Hook Bobbin Case Tension Spring
410063	Oil Reservoir	541170	Bobbin Winder Tension Nut
410064	Oil Reservoir Oil Wick	541605	Arm Shaft (horizontal)
410076	Throat Plate Complete, Nos. 410078, 410081 and two 154789-451	541606	Arm Shaft (horizontal) Bevel Gear with two 504066
410078	Throat Plate Body Complete	541607	Arm Shaft (horizontal) Worm Gear with two 504028
410081	Throat Plate Spring	541630	Bight Amplitude Regulating Plate Spring
410092-453	Arm Top Cover Complete, Nos. 15287-702, 408074, 408274, 410010, 410093-453, 544203-002, 544233, 546846, 546847, 546848, 546850, 546865, 546895 and 547242	541631	Bight Amplitude Slide Block
410093-453	Arm Top Cover	541634	Bight Amplitude Slide Block Crank Link
410094	Arm Shaft (horizontal) and Needle Bar Crank Complete, Nos. 410095 and 505339	541635	Bight Amplitude Slide Block Crank Shaft
410096	Rotating Hook Drive Shaft	541636	Bight Amplitude Slide Block Crank Shaft Bushing
410104	Zig-Zag Stitch Regulator Fork	541637	Bight Amplitude Slide Block Crank Shaft Bushing Collar with two 504007
410105	Bight Amplitude Slide Block Crank 410106 with 541634, 541642, 541756, 541910 and two 549288	541639	Bight Amplitude Slide Block Crank Spring
410106	Bight Amplitude Slide Block Crank with two 549181	541641	Bight Amplitude Slide Block Guide with 545098
410140-001	Rotating Hook and Rotating Hook Bobbin Case Holder Complete, Nos. 410021, 541694, 541765, 541977 two 549397, three 504088 and four 504090	541642	Bight Amplitude Slide Block Guide Stud
504002	Zig-Zag Triangular Cam Shaft Set Screw	541664	Needle Bar Connecting Stud Hinge Pin
504002	Rotating Hook Drive Shaft Bushing (back) Set Screw	541665	Needle Bar Connecting Stud Hinge Pin Washer
504002	Rotating Hook Drive Shaft Bushing (front) Set Screw	541685	Rotating Hook Drive Shaft Bevel Gear (front) with two 504101
504002	Thread Take-up Lever Link Hinge Pin Set Screw	541688	Rotating Hook Shaft
504002	Thread Take-up Spring Regulator Set Screw	541689	Rotating Hook Shaft Bevel Gear with two 504101
504005-852	Clamp Stop Motion Clamp Screw	541690	Rotating Hook Shaft Bevel Gear Cover
504007	Bight Amplitude Slide Block Crank Shaft Bushing Collar Set Screw (2)	541692	Rotating Hook Shaft Bushing (short)
504007	Pre-Tension Set Screw	541693	Rotating Hook Shaft Retainer Collar with two 504007 (2)
504007	Rotating Hook Shaft Retainer Collar Screw (4)	541694	Rotating Hook Thread Guard
504010-451	Needle Bar Connecting Link Guide Screw (2)	541696	Set of Gears (lower, front) Nos. 541685 and 541689
504010-451	Rotating Hook Shaft Bevel Gear Cover Screw	541698	Slack Thread Regulator
504010-451	Thread Guard (upper) Set Screw	541702	Tension Releasing Pin
504019	Hook Advancing Crank Bracket Screw (left) (right) (2)	541707	Thread Take-up Crank
504028	Arm Shaft (horizontal) Worm Gear Set Screw (2)	541708	Thread Take-up Lever with 52130
504028	Arm Shaft (upright) Bushing (upper) Set Screw	541709	Thread Take-up Lever Complete, Nos. 52024 and 541708
504047	Tension Stud Set Screw	541712	Zig-Zag Stitch Regulator Fork Eccentric Connection
504048	Hook Advancing Crank Shaft Set Screw	541749	Bight Amplitude Slide Block Crank Shaft Bushing Washer
504057	Needle Bar Connecting Link Cap Screw	541750	Bight Amplitude Slide Block Crank Shaft Ring
504066	Arm Shaft (horizontal) Bevel Gear Set Screw (2)	541754	Bight Amplitude Slide Block Crank Shaft Knob 541774 with 541635, 541750 and 549119
504067	Clamp Stop Motion Clamp Flanged Bushing Set Screw	541756	Bight Amplitude Slide Block Guide 541641 with 541631
504084	Bight Amplitude Stop Plate (left) (right) Screw (2)	541765	Rotating Hook Section
504084	Rotating Hook Bobbin Case Holder Position Bracket Screw	541770	Needle Bar Timing Indicator Plate
504086	Rotating Hook Bobbin Case Tension Regulating Screw	541774	Bight Amplitude Slide Block Crank Shaft Knob
		541910	Bight and L-C-R Position Lever Arm
		541916	Bight Amplitude Stop Plate (left)
		541921	Needle Bar Frame
		541922	Needle Bar Frame Pin
		541923	Rotating Hook Drive Shaft Bushing (front)
		541924	Rotating Hook Shaft Bushing (long)
		541927	Needle Bar Connecting Link Guide
		541933	Needle Bar Frame 541921 with 541770, 549290 and two 549336

NUMERICAL LIST OF PARTS FOR 20U X 142 M/C

PART NO.	DESCRIPTION	PART NO.	DESCRIPTION
541946	Bight Amplitude Regulating Plate Holder	546919	Arm Shaft (horizontal) Flanged Bushing (front)
541957	Tension Complete, Nos. 32758, 540682, 541702, 545893, 545899-451, 546927 and two 2102	546927	Thread Take-up Spring Regulator with 504047
541971	Bight Amplitude Stop Plate (right)	546932	Arm Shaft (horizontal) Flanged Bushing (back)
541972	Bight Amplitude Regulating Plate (left)	547242	Bobbin Winder Tension Complete, Nos. 541170, 547243, 547246 and two 547247
541973	Bight Amplitude Regulating Plate (right)	547243	Bobbin Winder Tension Stud Complete
541974	Bight Amplitude Regulating Plate Holder and Bight Amplitude Regulating Plate Complete, Nos. 541630, 541946, 541972 and 541973	547246	Bobbin Winder Tension Spring
541977	Rotating Hook Bobbin Case Holder	547247	Bobbin Winder Tension Disc
542020	Oil Reservoir Set Screw Washer (2)	548061	Bight Amplitude Stop Plate (left) (right) Washer (2)
543411	Pre-Tension Complete, Nos. 45915, 174418, 543413 and 543415	549119	Bight Amplitude Slide Block Crank Shaft Knob Set Screw
543413	Pre-Tension Bracket	549152	Arm Shaft (horizontal) Flanged Bushing (back) Set Screw
543415	Pre-Tension Cap	549181	Bight Amplitude Slide Block Crank Set Screw (2)
543805-003	Oil Reservoir Set Screw Spring Lock Washer (2)	549288	Bight Amplitude Slide Block Crank Link Hinge Set Screw (2)
543904	Arm Shaft (upright) Bevel Gear (upper)	549290	Zig-Zag Stitch Regulator Fork Eccentric Connecting Pin Set Screw
543906	Arm Shaft (upright) Bevel Gear (upper) Joint with two 504102	549336	Needle Bar Timing Indicator Plate Screw (2)
543907	Arm Shaft (upright) Bushing (upper)	549356	Bight Amplitude Regulating Plate Holder Set Screw (2)
543908	Arm Shaft (upright) Connecting Stud	549385	Bight Amplitude Regulating Plate Thumb Screw (2)
543910	Arm Shaft (upright) Retainer Collar with two 504102	549387	Bight and L-C-R Position Lever Arm Regulating Set Screw (2)
543910	Rotating Hook Drive Shaft Retainer Collar with two 504102 (2)	549397	Rotating Hook Set Screw (2)
543912	Arm Shaft (upright) Retainer Joint with two 504102	CAT. 1910-05	Needle (size =14)
543914	Arm Shaft (upright) Screw Gear (lower) with two 504102	ACCESSORIES AND ATTACHMENTS (Supplied with Machine)	
543928	Hook Advancing Crank Connecting Rod	55623	Rotating Hook Bobbin (4)
543929	Hook Advancing Crank Link	410570	Machine Rest (front) (2)
543930	Hook Advancing Crank Shaft	410571	Machine Rest (back) (2)
543933	Needle Bar (hollow) with 504112	505656-004	Thread Unwinder (for two spools) Complete, with three Wood Screw
543934	Needle Bar (hollow) 543933 with 541933	540522	Machine Hinge Connection (2)
543935	Needle Bar Connecting Link 410014 with 543937	540523	Machine Hinge Connection Cushion (2)
543937	Needle Bar Connecting Stud with 504091, 545001, 541664 and 541665	541514	Screw Driver (small)
543938	Needle Bar Thread Guard	541558	Screw Driver (large)
543941	Rotating Hook Bobbin Case Holder Position Bracket	546920-002	Machine Rest Nail (4)
543944	Rotating Hook Drive Shaft Screw Gear (back) with two 504101	546923	Oiler (130cc, filled with type "B" oil)
543947	Arm Shaft (upright) Retainer Joint Complete, Nos. 543912 and 543906	CAT. 1910-05	Needle (size =14) (3)
543948	Hook Advancing Crank Shaft Snap Ring		
543952	Rotating Hook Drive Shaft Bushing (back)		
543953	Thread Take-up Complete, Nos. 504057, 505372, 541707, 541709 and 543935		
543955	Arm Shaft (upright) with 543956		
543956	Arm Shaft (upright) Oil Wick		
543962	Hook Advancing Crank		
543964	Hook Advancing Crank Bracket with 504048		
543965	Hook Advancing Crank and Hook Advancing Crank Bracket Complete, Nos. 543930, 543948, 543962 and 543964		
544054	Arm Screw (4)		
544151	Hook Advancing Crank Bracket Screw		
544152	Hook Advancing Crank Link Hinge Screw (back)		
544153	Hook Advancing Crank Link Hinge Screw (front)		
544154	Hook Advancing Crank Connecting Rod Hinge Screw		
544203-002	Bobbin Winder Tension Set Screw		
544204-001	Zig-Zag Triangular Cam Shaft Collar Set Screw (2)		
544211-053	Bobbin Winder Latch Screw		
544212-052	Arm Side Cover Set Screw (4)		
544213-002	Bobbin Winder Regulator Set Screw		
544217-052	Thread Take-up Lever Guard Set Screw		
544233	Bobbin Winder Bracket Hinge Screw		
545001	Needle Bar Connecting Stud Hinge Pin Screw		
545059	Arm Top Cover Screw (back)		
545092	Face Plate Screw (2)		
545092	Oil Reservoir Set Screw (2)		
545098	Bight Amplitude Slide Block Guide Stud Set Screw		
545218	Arm Top Cover Screw (front)		
545404-451	Tension Regulating Thumb Nut (2)		
545495	Bight and L-C-R Position Lever Arm Regulating Screw Nut (2)		
545766	Arm Shaft (upright) Bushing (lower)		
545893	Tension Releasing Disc		
545898	Tension Stud		
545899-451	Tension Stud 545898 with two 545404-451		
546826	Handwheel		
546831	Bight Amplitude Slide Block Crank Knee Operating Connection Pin		
546846	Bobbin Winder Bracket Regulating Plate		
546847	Bobbin Winder Bracket Spring		
546848	Bobbin Winder Latch with 544211-053		
546850	Bobbin Winder Latch Stud		
546865	Bobbin Winder Regulator with 544213-002		
546895	Bobbin Winder Bracket Regulating Plate Spring Stud		