

SINGER
46K1,K2

ILLUSTRATED
PRICE LIST OF PARTS
FOR
Class 46 K Machines

(Nos. 46 K 1 and 46 K 2).

In ordering from this List, use **ONLY** the **PART** number as it appears in the first column.

Each Number always indicates the **SAME PART** in whatever List it appears, or for whatever Machine.

The letters after some of the Numbers indicate the style of finish only, as follows:

- A. Hardened, Polished and Plated.
- B. Polished and Plated.
- C. Hardened only.
- D. Polished only.
- E. Soft, not Polished.

These letters **MUST BE USED** *when* they appear in the List, and **AFTER** the Number, *as* in the List.

In this series

1 to 1500 are Screw Numbers.

1501 to 1800 are Nut "

1801 to 2000 are Roller "

02001 and upwards are Numbers of Machine Parts.

The prefix **SS** indicates Screws made only at Kilbowie.

" " **NW** " Nuts made only at Kilbowie.

" " **RR** " Rollers and Studs made only at Kilbowie.

An "0" prefixed to a Part indicates that it is common to Export and Kilbowie Factories, but of Kilbowie manufacture.

Parts numbered from **80001 upwards** are made only at Kilbowie.

The figures in the second column refer only to the plates illustrating the parts, and are **NOT TO BE USED** in ordering.

NEEDLES BEST ADAPTED

FOR

Nos. 46 K 1 and 46 K 2 Machines.

MACHINES.	NEEDLES.	REMARKS.
46 K 1, 46 K 2	46 S 1 or 46 S 2	

No.	Plate.		Old No.	Price.
91818	364	Looper Column for 46 K 1 Machine	18	10 6
91819	364	" " " 46 K 2 "	18A	10 6
8003/014020	367	" " Thread Guide Pin	11/29K	1/2
91820	364	" " Hinged Needle Plate for 46 K 1 Mch.	19	10 0
91821	364	" " " " " 46 K 2 "	19A	10 0
91822	367	" " " " " Hinge Pin	20	1
91823	361	Looper Frame	21	5 6
91824	367	" " Pin	22	2
110/SS 47c	367	" " Screw	—	1 1/2
91825	366	Looper Gear Rack Pitman	23	2 9
91826	364	" " " " Adjustable Gib	26	1 6
133D	—	" " " " " " Screw	—	2
NX 35D	367	" " " " " Wing Nut for 133D	—	3
91827	366	Looper Lever, with 1813	23	2 9
378c	367	" " Connection Screw Stud	—	5
1520E	367	" " " " " Nut	—	1 1/2
SS 7D	367	" " Hinge Screw Stud	—	1 0
1513D	367	" " " " " Nut	—	2 1/2
91828	367	" " " " " Washer	21	2
1813	367	" " Roller and Stud	—	10
91829	—	Looper Spindle	28	1 6
91830	364	" " 91829, with 91817	27	8 0
91831	365	" " Bushing	29	6
SS 41c	367	" " Clamp Screw	—	1
91832	364	" " Gear	30	1 6
8003/014020	367	" " Pin	11/29K	1/2
91833	363	Needle Bar	32	6 0
91834	364	" " Cam	33	1 6
171c	367	" " " Screw	—	1 1/2
91835	367	" " " Steady Pin	31	1
91836	364	" " Thread Nipper	35	2 0
SS 231c	367	" " " Hinge Screw	—	3
91837	365	" " " Spring	36	1
91838	—	Needle Bar, complete, Nos. SS 27c, 91833, 91834, 91836, 91837, two each 171c and 91835	31	11 0
91839	367	Needle Clamp	52	1 0
1555D	367	" " Nut	—	2
91840	364	Needle Plate Latch	37	1 6
SS 9D	367	" " " Hinge Screw	—	2
286D	367	" " " Thumb Screw	—	5
91841	363	Presser Bar, with 91844 and 91845	39	6 0
91842	364	" " Hinge Block	40	9

No.	Plate.		Old No.	Price.
SS 68D	367	Presser Bar Hinge Block Screw	—	2
91843	363	" " Side Lever Bracket	41	1 9
152D	367	" " " " " Screw	—	1 1/2
91841	—	" " " Spring Stud	43	1
91845	—	" " Spring Eyelet	44	1/2
91846	—	Presser Bar, complete, Nos. SS 68D, 91841 to 91843, and two 152D	38	9 6
91847	363	Presser Bar Adjustable Drop Pawl	47	2 0
46D	367	" " " " " Hinge Screw	—	3
91848	363	Presser Bar Side Lever	46	2 6
81870	367	" " " " Hinge Pin	6/48K	1/2
RR 19	367	" " " " Roller	—	1 0
SS 230	367	" " " " Stud Screw	—	2
91849	—	Presser Bar Side Lever, complete, Nos. SS 230, RR 19, and 91854	45	3 9
91850	365	Presser Bar Side Spring	42	8
180D	367	" " " " " Screw	—	1 1/2
91851	366	Presser Bar Spring, with 91856	49	3 0
91852	—	" " " 91851, with 515D, 91853, and 91854	48	5 6
91853	367	" " " Adjusting Block	50	2 0
515D	367	" " " " " Wing Screw	—	5
91854	367	" " " " " " Washer	51	2
119D	367	Presser Bar Spring Adjusting Screw	—	2 1/2
1539D	367	" " " " " Thumb Nut	—	2 1/2
NX 24D	367	" " " " " Thumb Nut Jam Nut	—	2
91855	363	" " " Bracket	53	1 6
180D	367	" " " " " Screw	—	1 1/2
91856	—	" " " Position Pin	—	1/2
91857	365	Presser Foot Feed Motion Cam, with 1836	57	5 0
1836	367	" " " " " Cam Roller & Screw Stud	—	10
81870	367	" " " " " Pin	6/48K	1/2
91858	363	Presser Bar Lever Over Cam	55	3 6
91859	—	" " " " " 91858, with RR 20	54	5 0
RR 20	367	" " " " " Roller & Screw Stud	—	1 6
27D	367	" " " " " Hinge Screw	—	5
91860	365	" " " " " Spring	56	3
91861	363	Presser Foot	58A	7 3
91862	365	" " Adjustable Side	59	6 0
SS 112D	367	" " " Eccentric Thumb Screw	—	1 3
91863	365	" " " " " Spring	60	1
91864	367	" " " " " Washer	61	4
207D	367	" " " " " " Screw	—	1
152D	367	" " " " " " Screw	—	1 1/2
1555c	367	" " " " " Jam Nut	—	2

No.	Plate.	Description	Old No.	Price.
91865	365	Presser Foot (Adjustable), complete, Nos. 207D, SS 112D, and 91861 to 91864	58	17 6
91888	---	Presser Foot (fine).....	---	7 3
91889	---	" " Adjustable Side (fine).....	---	6 0
91890	---	Presser Foot (Adjustable) (fine), complete, Nos. 207D, SS 112D, 91863, 91864, 91888, and 91889 (for France only).....	---	17 6
91886	---	Presser Foot (plain), with four teeth, square cut (for Export only)	80	10 0
91887	---	" " " with four teeth, angle cut (for France only)	81	10 0
91866	365	Presser Foot Lifter.....	62	1 3
SS 69D	367	" " " Screw.....	---	3
* 91867	363	Seam Guide with 014026.....	63	2 6
SS 20D	367	" " Hinge Screw.....	---	3
91868	367	" " " Washer.....	61	1 ½
014026	367	" " " Stop Pin.....	11 29K	½
91869	---	Spool Holder Base Plate.....	---	---
SS 225B	367	" " " " Screwed Spool Pin.....	---	9
1560B	367	" " " " " Nut.....	---	2
91870	---	" " " " Hinge.....	11 15K	1 ½
91871	---	" " " " " Rivet.....	12 7	½
91872	366	Spool Holder, complete, Nos. SS 225B, 1560B, 91869, 91870, and two 91871	69	2 6
91873	366	Tension Bracket, with 014026.....	71	2 4
91874	---	" " " 91873, with 91875.....	70	2 6
180E	367	" " " Screw.....	---	1 ½
91875	367	" " " Thread Guide Eyelet.....	72	1
417	367	Tension Screw Stud.....	---	4
1560D	367	" " " " Nut.....	---	2
02102	367	" " Disc (2).....	88 15K	2 ½
02103	365	" " Spring.....	89 7	1 ½
91876	365	Thread Take-up.....	73	1 0
91877	364	" " " Guide.....	75	6
207D	367	" " " " Screw.....	---	1
SS 21D	367	" " " Hinge Screw.....	---	2
91878	365	" " " Spring.....	74	1
014026	367	" " " Stop Pin.....	11 29K	½
91879	365	Thread Take-down.....	76	9
SS 21D	367	" " " Hinge Screw.....	---	2
91880	365	" " " Spring.....	77	1
91881	367	" " " Stop Pin.....	78	1
175D	367	" " " " Screw.....	---	1

* NOTE.—No. 91867 is only supplied with machine when specified on order and at an extra charge.

MACHINE HINGES.

No.	Plate.	Description	Old No.	Price.
08292	---	Machine Hinge, 08306, with 1518B, and 02807, for Stand Table	---	1 0
08306	---	" " " Nos. 525B, 08294, and 08295, for 08292	---	10 ½
525B	---	" " " Bolt for 08306	---	7 ½
1518B	---	" " " " Nut for 08292	---	2
02807	---	" " " " Washer for 08292	---	½
08294	---	" " " Connection for 08306	---	3
08295	---	" " " " Hinge Pin for 08306	---	½
80049	---	Machine Hinge, 80255, with 1518B and 02807, for Power Table	11A 15K	1 0
80255	---	" " " Nos. SS 75B, 08294, and 08295, for 80049	---	10 ½
SS 75B	---	" " " Bolt for 80255	---	8
1518B	---	" " " " Nut for 80049	---	2
02807	---	" " " " Washer for 80049	---	½
08294	---	" " " Connection for 80255	---	3
08295	---	" " " " Hinge Pin for 80255	---	½

Accessories for Nos. 46K1 and 46K2 Machines.

(GREAT BRITAIN.)

---	---	Instruction Book.....	---	---
026400	---	Oiler.....	47A 15K	2 ½
85318	---	Screw Driver.....	467	1
86163	---	Scissors (1 pair).....	780	1 0
86126	---	Tweezers (1 pair).....	717	9
36569	---	" Oiler.....	---	2 ½
86405	---	" Tweezers.....	---	3 0

STANDS AND STAND PARTS.

STAND No. 82819.

No.	Plate.		Old No.	Price.
025005	—	Band Wheel, 12 $\frac{3}{4}$ ", with 02117 and 025010	16 T.M.S.	3 9
025010	—	" " Crank	2A "	7 $\frac{1}{2}$
02117	—	" " " Pin	—	$\frac{1}{2}$
297c	—	" " " Screw Centre	—	5
1507E	—	" " " " Nut	—	2 $\frac{1}{2}$
82818	—	Belt, size $\frac{3}{8}$ ", length 63 $\frac{1}{2}$ ", with 025027	18 T.M.S.	6
025027	—	" Hook	5 "	$\frac{1}{2}$
025036	—	Brace, with three each 297c and 1507E	9c "	6 0
506E	—	" Bolt, with 1510E	—	1 $\frac{1}{2}$
1510E	—	" " Nut	—	1
025063	—	Leg (Right), with two each 025068 and 025069	15A T.M.S.	7 6
025068	—	" " Roller	16A "	2 $\frac{1}{2}$
025069	—	" " " Pin	17A "	$\frac{1}{2}$
82616	—	" (Left)	18A "	7 6
025074	—	Pitman (Adjustable), with two each 558E, 1570E, 025075, and 025123	19 "	1 0
025123	—	" Adjusting Block	20 "	1
558E	—	" " Screw	—	1 $\frac{1}{2}$
1570E	—	" " " Nut	—	1
025075	—	" " " Washer	21 T.M.S.	$\frac{1}{2}$
025081	—	Treadle, with 07958 and 011742	22B "	2 8
011742	—	" Pitman Washer	21 "	$\frac{1}{2}$
07958	—	" " " Pin	25 "	$\frac{1}{2}$
297c	—	" Screw Centre	—	5
1507E	—	" " " Nut	—	2 $\frac{1}{2}$
025086	—	Wrench for 1507 and 1510	26 T.M.S.	5
—	—	Wood Screw, 1", No. 12 (for fixing table to stand), per doz.	—	—
82819	—	Stand, complete, Nos. 025005, 025036, 025063, 025074, 025081, 025086, 82616, 82818, four 506E, and four Wood Screws, 1", No. 12	246 T.M.S.	—

OBSOLETE PARTS.

No.	Plate.		Old No.	Price.
91882	—	Bed	3	—
91883	366	" Hinge	18 N.E.	1 $\frac{1}{2}$
91884	—	Looper (Small) for Children's Gloves (obsolete, use 91817)	17A	5 0
91885	361	" Spindle, 91829, with 91884 (obsolete, use 91830)	27A	8 0

NUMERICAL LIST OF PARTS.

SCREWS.

No.	Plate.		Price.
27D	367	Presser Bar Lever Over Cam Hinge Screw	5
46D	367	" " Adjustable Drop Pawl Hinge Screw	3
86D	367	Face Plate Stitch Regulator Hinge Screw for 91814	2 1/2
119D	367	Presser Bar Spring Adjusting Screw	2 1/2
133D	—	Looper Gear Rack Pitman Adjustable Gib Screw	2
152D	367	Presser Bar Side Lever Bracket Screw for 91816	1 1/2
152D	367	" Foot Screw	1 1/2
171C	367	Needle Bar Cam Screw for 91838	1 1/2
175D	367	Thread Take-down Stop Pin Screw	1
180D	367	Presser Bar Side Spring Screw	1 1/2
180D	367	" " Spring Bracket Screw	1 1/2
180E	367	Tension Bracket Screw	1 1/2
207D	367	Face Plate Adjustable Thread Nipper Block Screw for 91814	1
207D	367	Presser Foot Adjustable Eccentric Thumb Screw Washer Screw for 91865 and 91890	1
207D	367	Thread Take-up Guide Screw	1
286D	367	Arm Side Cover Thumb Screw	5
286D	367	Needle Plate Latch Thumb Screw	5
297C	—	Band Wheel Crank Screw Centre for 025036	5
297C	—	Treadle Screw Centre for 025036	5
378C	367	Looper Lever Connection Screw Stud	5
417	367	Tension Screw Stud	1
440C	367	Horizontal Shaft Looper Cam Set Screw for 91816	1 1/2
506E	—	Brace Bolt, with 1510G, for 82819	1 1/2
515D	367	Presser Bar Spring Adjusting Block Wing Screw for 91852	5
525B	—	Machine Hinge Bolt for 08306	7 1/2
558E	—	Pitman Adjusting Screw for 025074	1 1/2
793D	367	Face Plate Binding Thumb Screw	4
SS7D	367	Looper Lever Hinge Screw Stud	1 0
SS9D	367	Needle Plate Latch Hinge Screw	2
SS20D	367	Seam Guide Hinge Screw	3
SS21D	367	Thread Take-up Hinge Screw	2
SS21D	367	" Take-down Hinge Screw	2
SS38E	367	Arm Screw	1 1/2
SS44C	367	Looper Frame Screw	1
SS44C	367	" Spindle Bushing Clamp Screw	1
SS68D	367	Face Plate Screw (to fasten to machine) for 91814	2

No.	Plate.		Price.
SS68D	367	Presser Bar Hinge Block Screw for 91816	2
SS69D	367	Presser Foot Lifter Hinge Screw	3
SS75B	—	Machine Hinge Bolt for 80255	8
SS112D	367	Presser Foot Adjustable Eccentric Thumb Sc. for 91865 & 91890	1 3
SS130D	367	Balance Wheel Handle Screw Spindle	3
SS225B	367	Spool Holder Base Plate Screwed Spool Pin for 91872	9
SS230	367	Presser Bar Side Lever Roller Stud Screw for 91849	2
SS231C	367	Needle Bar Thread Nipper Hinge Screw for 91838	3

NUTS.

No.	Plate.		Price.
1507E	—	Band Wheel Crank Screw Centre Nut for 297C	2 1/2
1507E	—	Treadle Screw Centre Nut for 297C	2 1/2
1510E	—	Brace Bolt Nut for 506E	1
1513D	367	Looper Lever Hinge Screw Stud Nut for SS7D	2 1/2
1518E	—	Machine Hinge Bolt Nut for 08292 and 80049	2
1520E	367	Looper Lever Connection Screw Stud Nut for 378C	1 1/2
1539D	367	Presser Bar Spring Adjusting Screw Thumb Nut	2 1/2
1555C	367	" Foot Screw Jam Nut for 152D	2
1555D	367	Needle Clamp Nut for 91839	2
1560B	367	Spool Holder Base Plate Screwed Spool Pin Nut for 91872	2
1560D	367	Tension Screw Stud Nut for 417	2
1570E	—	Pitman Adjusting Screw Nut for 558E	1
AV21D	367	Presser Bar Spring Adjusting Screw Thumb Nut Jam Nut	2
AV35D	367	Looper Gear Rack Pitman Wing Nut for 133D	3

ROLLERS.

No.	Plate.		Price.
1813	367	Looper Lever Roller and Stud for 91827	10
1836	367	Presser Foot Feed Motion Cam Roller & Screw Stud for 91857	10
RR19	367	" Bar Side Lever Roller for 91849	1 0
RR29	367	" " Lever Over Cam Roller and Screw Stud for 91859	1 6

No.	Plate.	Old No.	Price.
91848	363	Presser Bar Side Lever for 91849	46 2 6
91849	—	" " " " complete, Nos. SS230, RR19, and 91848	45 3 9
91850	365	Presser Bar Side Spring	42 8
91851	366	" " Spring, with 91856, for 91852	49 3 0
91852	—	" " " 91851, with 515b, 91853, and 91854	48 5 6
91853	367	" " " Adjusting Block for 91852	50 2 0
91854	367	Presser Bar Spring Adjusting Block Wing Screw Washer	51 2
91855	363	" " " Bracket	53 1 6
91856	—	" " " Position Pin	— 1 ½
91857	365	Presser Foot Feed Motion Cam, with 1836	57 5 0
91858	363	" Bar Lever Over Cam for 91859	55 3 6
91859	—	" " " " " 91858, with RR 20	51 5 0
91860	365	" " " " " Spring	56 3
91861	365	Presser Foot for 91865	58A 7 3
91862	365	" " Adjustable Side for 91865	59 6 0
91863	365	" " " Eccentric Thumb Screw Spring for 91865 and 91890	60 1
91864	367	" " " " Thumb Screw Washer for 91865 and 91890	61 4
91865	365	" " (Adjustable), complete, Nos. 207D, SS112b, and 91861 to 91864	58 17 6
91866	365	" " Lifter	62 1 3
91867	363	Seam Guide, with 014026	63 2 6
91868	367	" " Hinge Screw Washer	64 1 ½
91869	—	Spool Holder Base Plate for 91872	—
91870	—	" " " " Hinge for 91872	11 15K 1 ½
91871	—	" " " " " Rivet for 91872	12/ " ½
91872	366	" " complete, Nos. SS225B, 1560B, 91869, 91870, and two 91871	69 2 6
91873	366	Tension Bracket, with 014026, for 91871	71 2 4
91874	—	" " 91873, with 91875	70 2 6
91875	367	" Thread Guide Eyelet for 91874	72 1
91876	365	Thread Take-up	73 1 0
91877	364	" " Guide	75 6
91878	365	" " Spring	74 1
91879	365	Thread Take-down	76 9
91880	365	" " Spring	77 1
91881	367	" " Stop Pin	78 1
91882	—	Bed (obsolete)	3 —
91883	366	" Hinge (obsolete)	78 N.F. 1 ½
91884	—	Looper (Small) for Children's Gloves (obsolete, use 91817)	EA 5 0
91885	364	Looper Spindle, 91829, with 91884 (obsolete, use 91830)	27A 8 0
91886	—	Presser Foot (plain), with four teeth, square cut (for E'port only)	80 10 0
91887	—	" " " " " angle cut (for France only)	81 10 0
91888	—	Presser Foot (fine) for 91890	— 7 3
91889	—	" " Adjustable Side (fine) for 91890	— 6 0
91890	—	" " " (fine), complete, Nos. 207D, SS 112b, 91863, 91864, 91888, and 91889 (for France only)	— 17 6

No. Plate

91848 363 Presser Bar Side Lever for 91849

Price

4.6

Form K 503.
October, 1904.
(Supersedes Form K 135.)

ILLUSTRATED PRICE LIST OF PARTS

FOR

Nos. 46K1 & 46K2 Machines.



The Singer Manufacturing Co.

1904.

PLATE 363.

FULL SIZE.

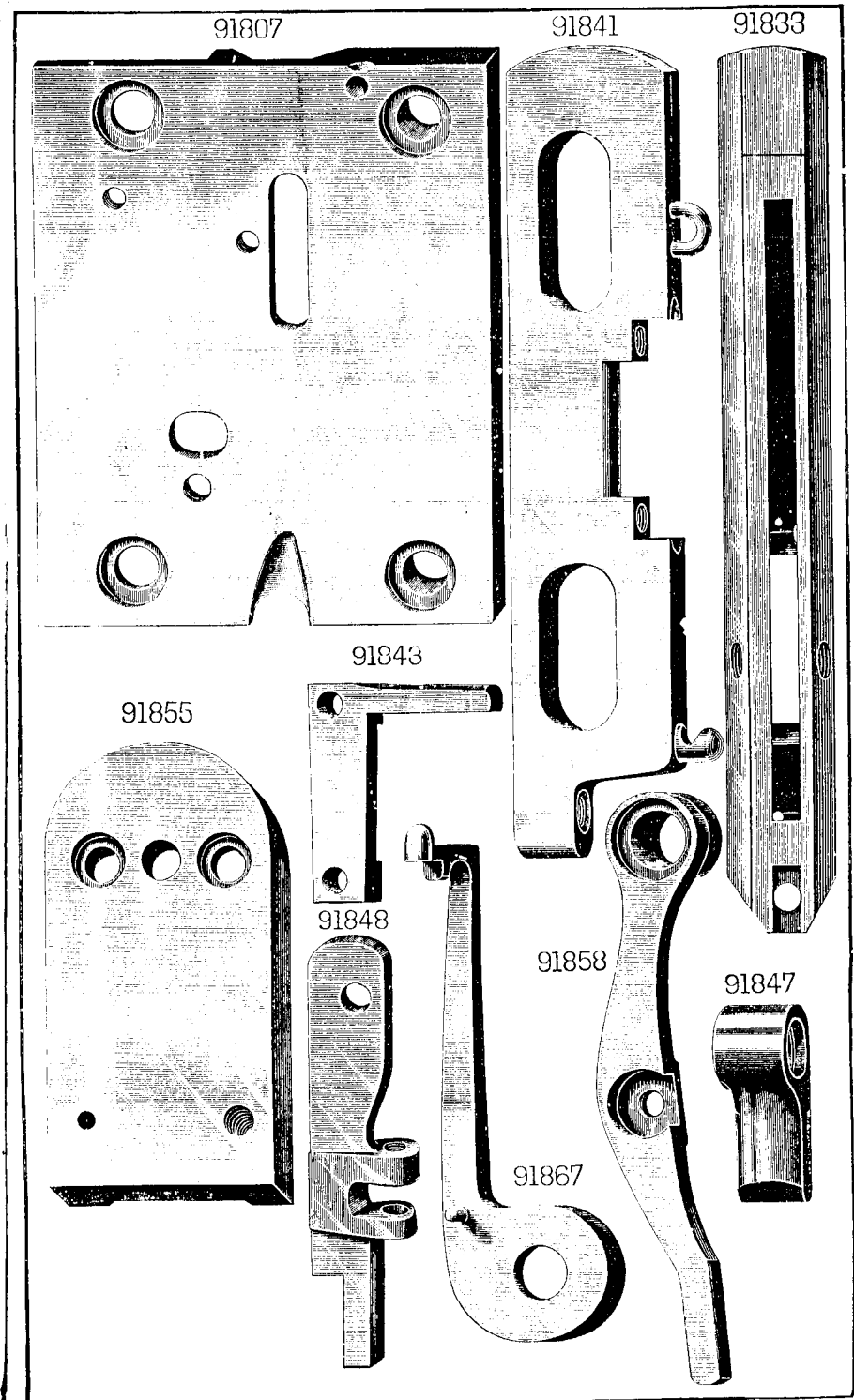


PLATE 364.

FULL SIZE.

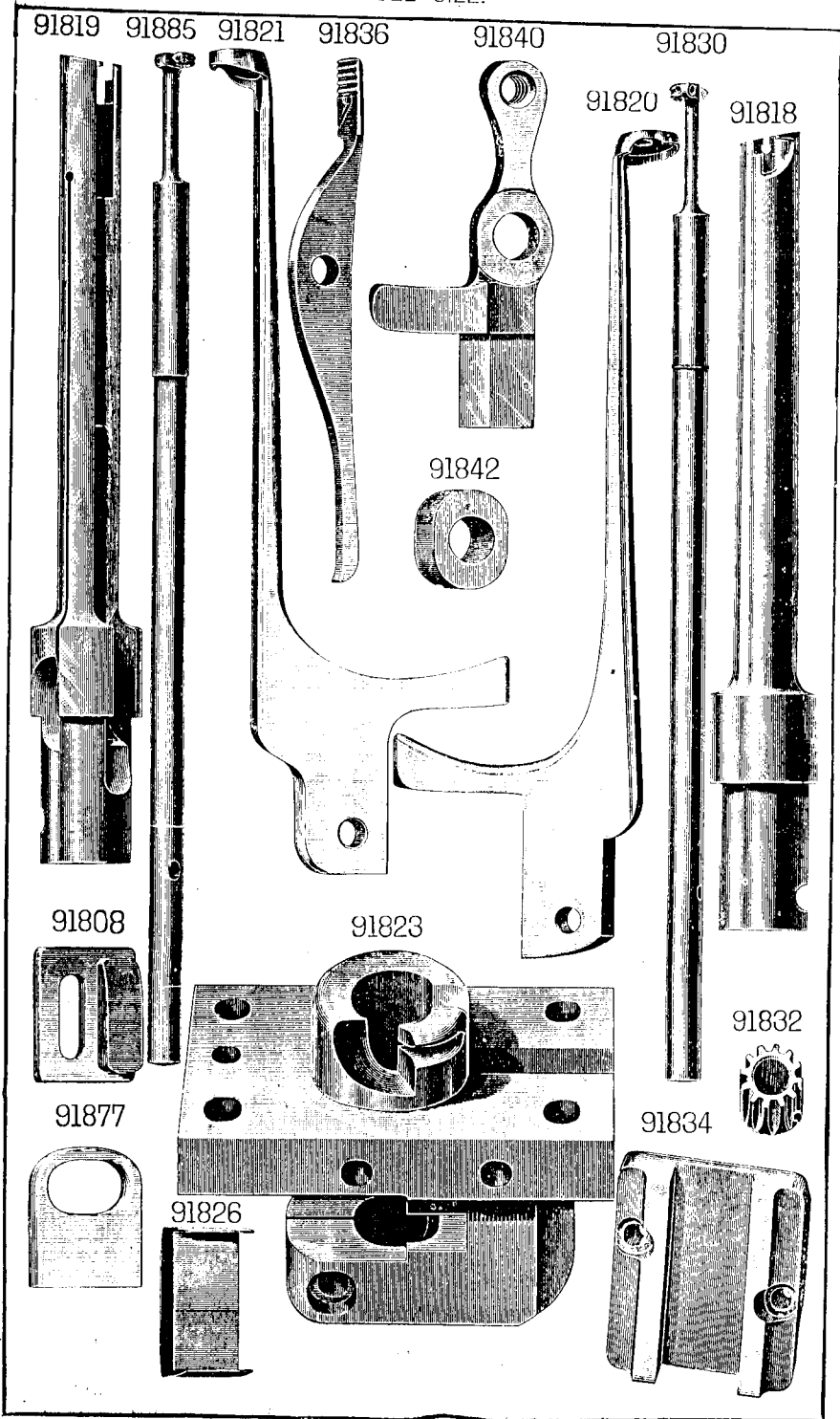


PLATE 365.

FULL SIZE.

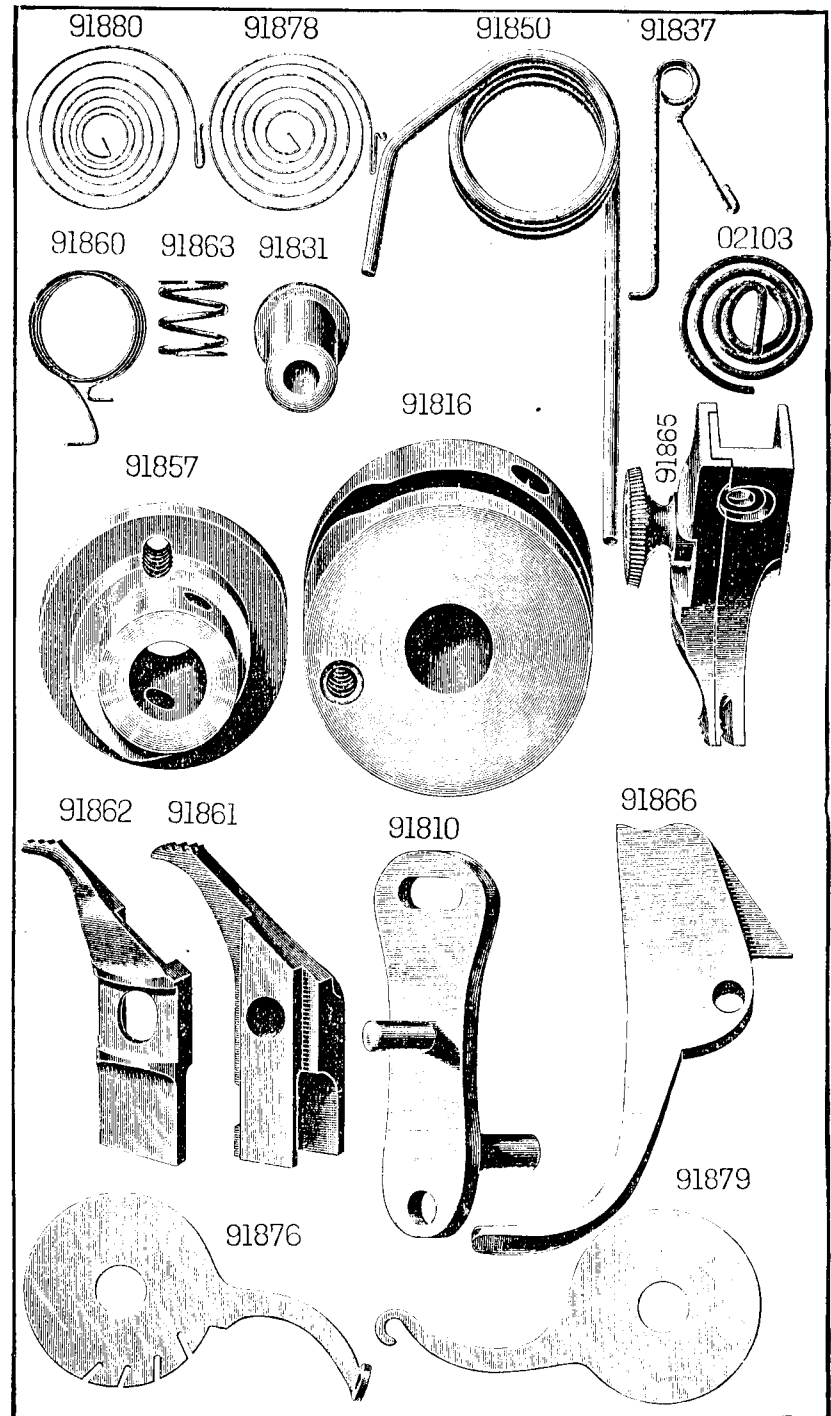


PLATE 366.
HALF SIZE.

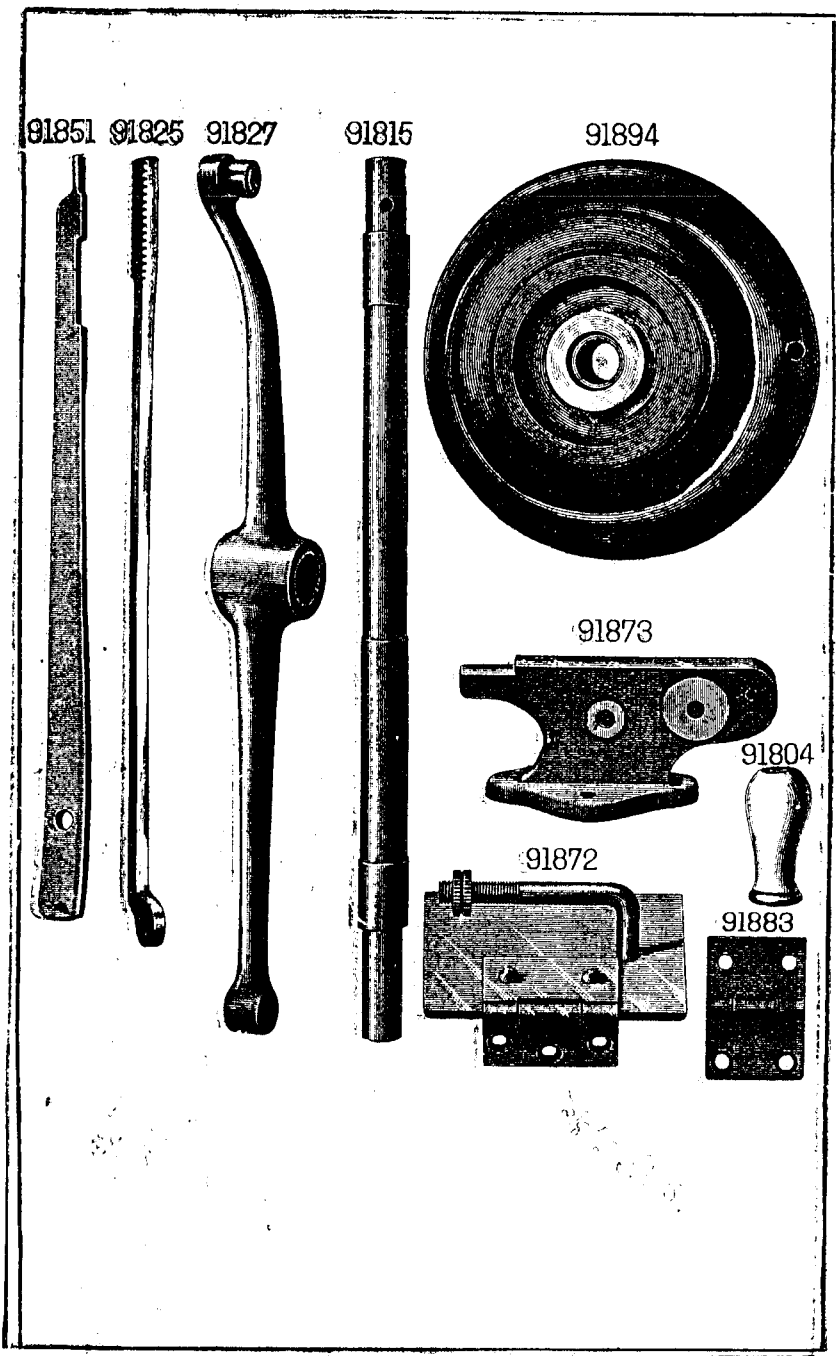


PLATE 367.
FULL SIZE.

