

**SINGER**  
**66K**

No.	Plate						
32507	1544	<b>Feed Bar with 1944</b>	...	...	...	...	...
1944	1546	" " Roller and Stud	...	...	...	...	...
315c	1731	" " Screw Centre (2)	...	...	...	...	...
1519j	1546	" " " " Nut (2)	...	...	...	...	...
32502	1545	" Cam with 1285c	...	...	...	...	...
1285c	1546	" " Set Screw	...	...	...	...	...
32600	733	<b>Feed Dog</b>	...	...	...	...	...
191k	1731	" " Screw	...	...	...	...	...
32620	724	<b>Feed Forked Connection with 175j</b>	...	...	...	...	...
175j	1731	" " " Adjusting Screw	...	...	...	...	...
1381c	1731	" " " Hinge Screw (eccentric)	...	...	...	...	...
1520j	1546	" " " " " Nut	...	...	...	...	...
1832	1546	" " " Roller with 1085e	...	...	...	...	...
1085e	1731	" " " " Screw Stud	...	...	...	...	...
32510	1544	" Raising Bar with 1944	...	...	...	...	...
1301c	1731	" " " Hinge Screw	...	...	...	...	...
1944	1546	" " " Roller and Stud	...	...	...	...	...
253b	1546	" Regulating Thumb Screw	...	...	...	...	...
8216	1544	" Regulator	...	...	...	...	...
8217	1543	" " Friction Washer	...	...	...	...	...
42c	1731	" " Hinge Screw	...	...	...	...	...
32581	1542	<b>Feed Rock Shaft</b>	...	...	...	...	...
307c	1731	" " " Screw Centre (2)	...	...	...	...	...
1513j	1546	" " " " " Nut (2)	...	...	...	...	...
51045c	1545	<b>Machine Hinge Connection Set Screw (2)</b>	...	...	...	...	...
32668	1543	<b>Needle Bar with 32519</b>	...	...	...	...	...
66558	1543	" " Bushing	...	...	...	...	...
66655	—	" " " 66558 with 665b and 66639	...	...	...	...	...
1133c	1546	" " " Set Screw	...	...	...	...	...
32515	1544	" " Connecting Link with 51002e	...	...	...	...	...
32669	—	" " " " 32515 with 66559	...	...	...	...	...
32670	—	" " " " 32669 with 1130e and 32578	...	...	...	...	...
51002e	1546	" " " " Adjusting Screw	...	...	...	...	...
1130e	1546	" " " " Cap Screw	...	...	...	...	...
66559	1543	" " " Stud with 1353c	...	...	...	...	...
1353c	1731	" " " " Set Screw	...	...	...	...	...
32517	1544	" " Crank with 1036c and 1134c	...	...	...	...	...
1134c	1731	" " " Position Screw	...	...	...	...	...
21360	1543	" " Hole Plug	...	...	...	...	...
66639	1543	" " Thread Guard	...	...	...	...	...
665b	1546	" " " Screw	...	...	...	...	...
66561	1543	" " Timing Gauge	...	...	...	...	...
2054	1538	" Clamp with 552r	...	...	...	...	...
552r	1731	" " Thumb Screw	...	...	...	...	...
32519	1538	" Stop Pin	...	...	...	...	...

No.	Plate						
32520	955	<b>Oscillating Hook</b>	...	...	...	...	...
32626	—	" " 32520 with 32590	...	...	...	...	...
32656	1544	" " Bell Crank	...	...	...	...	...
50561c	1546	" " " " Hinge Screw	...	...	...	...	...
32522	1538	" " Bobbin	...	...	...	...	...
32590	955	" " " Case with 1172f, 1173d and 32567	...	...	...	...	...
32661	1538	" " " Cushion Spring	...	...	...	...	...
662d	1731	" " " " Screw	...	...	...	...	...
32659	1538	" " " Position Bracket	...	...	...	...	...
32662	1538	" " " " Hinge Stud	...	...	...	...	...
50611j	1731	" " " " " Set Screw	...	...	...	...	...
32663	1538	" " " " Latch	...	...	...	...	...
50579d	1731	" " " " Screw	...	...	...	...	...
32598	955	" " " Oil Pad (Felt)	...	...	...	...	...
32599	955	" " " " Holder	...	...	...	...	...
32660	—	" " " " complete, Nos. 662d, 32528, 32598, 32599, 32659, 32661 to 32664, 50579d and 50580e	...	...	...	...	...
1172i	1731	<b>Oscillating Hook Bobbin Case Tension Regulating Screw</b>	...	...	...	...	...
32567	955	" " " " Spring	...	...	...	...	...
1173d	1731	" " " " Screw	...	...	...	...	...
32664	1538	" " " Ejector	...	...	...	...	...
50580e	1731	" " " Hinge Screw Stud	...	...	...	...	...
32528	1543	" " " Spring	...	...	...	...	...
32529	1544	" " Connecting Link	...	...	...	...	...
1132c	1731	" " " Hinge Screw	...	...	...	...	...
32594	1544	" " Crank with 1485c	...	...	...	...	...
1485c	955	" " " Clamping Screw	...	...	...	...	...
32531	724	" " Pitman with two 175j	...	...	...	...	...
175j	1731	" " " Adjusting Screw	...	...	...	...	...
11c	1731	" " " Hinge Screw	...	...	...	...	...
1216c	1731	" " " Screw Stud	...	...	...	...	...
1520j	1546	" " " " Nut	...	...	...	...	...
216c	1731	" " " " Screw	...	...	...	...	...
32569	1543	" " Slide	...	...	...	...	...
32570	1543	" " " Friction Spring	...	...	...	...	...
226d	1731	" " " " Screw	...	...	...	...	...
32665	1542	<b>Presser Bar</b>	...	...	...	...	...
32535	1545	" " Guide Bracket with 453c	...	...	...	...	...
453c	1731	" " " Set Screw	...	...	...	...	...
66564	1545	" " Lifter	...	...	...	...	...
85e	1546	" " " Screw	...	...	...	...	...
32675	1545	" " Spring	...	...	...	...	...
2070	1543	" " " Washer	...	...	...	...	...

No.	Plate							
32666	1543	<b>Presser Foot</b>	...	...	...	...	...	...
51224b	1545	"	"	Thumb Screw	...	...	...	...
263j	1546	<b>Pressure Regulating Thumb Screw</b>	...	...	...	...	...	...
32621	955	<b>Slack Thread Regulator</b>	...	...	...	...	...	...
219e	1546	"	"	"	Screw	...	...	...
2102	1538	<b>Tension Disc</b>	...	...	...	...	...	...
1560g	1731	"	"	Regulating Thumb Nut	...	...	...	...
32572	1538	"	"	Releasing Disc	...	...	...	...
32573	1543	"	"	Lever	...	...	...	...
97e	1546	"	"	"	Hinge Screw	...	...	...
12329	1543	"	"	"	Spring	...	...	...
32571	1538	"	"	Pin	...	...	...	...
1274b	1731	"	"	Screw Stud	...	...	...	...
8238	1538	"	"	Spring	...	...	...	...
32654	—	<b>Tension, complete, Nos. 1274b, 1560g, 8238, 32572, 32571 to 32576 and two 2102</b>	...	...	...	...	...	...
26075	1538	<b>Thread Cutter and Holder</b>	...	...	...	...	...	...
8422	1538	"	"	Guard (for head of arm)	...	...	...	...
32578	1544	"	"	Take-up Crank	...	...	...	...
1036c	1731	"	"	"	Set Screw	...	...	...
32541	1544	"	"	Lever	...	...	...	...
32542	—	"	"	"	complete, Nos. 32541, 32543 and 32544	...	...	...
32671	—	"	"	"	32542 with 1131c and 32670	...	...	...
32543	1543	"	"	"	Hinge Stud	...	...	...
32544	1544	"	"	"	Link	...	...	...
1131c	1546	"	"	"	"	Hinge Screw	...	...
32575	1538	"	"	"	Spring	...	...	...
32576	1538	"	"	"	Regulator	...	...	...
453e	1731	"	"	"	"	Set Screw	...	...
32602	733	<b>Throat Plate for 32600</b>	...	...	...	...	...	...
691a	1731	"	"	"	Screw (2)	...	...	...
93215	—	<b>Drip Pan (for Machine on Cover Set)</b>	...	...	...	...	...	...
*15404	—	<b>Trade Mark</b>	...	...	...	...	...	...
15405	—	"	"	"	Rivet	...	...	...

## Bobbin Winder (Automatic)

FOR USE WITH BALANCE WHEEL No. 15282.

No.	Plate							
15376	1124	Adjusting Arm	...	...	...	...	...	...
50058b	1731	"	"	"	Screw	...	...	...
15072	1548	Bobbin Position Pin	...	...	...	...	...	...
‡32604	—	Bracket (Belt Cover)	...	...	...	...	...	...
180b	1731	"	"	"	Screw	...	...	...
15413	1124	Frame	...	...	...	...	...	...
32655	—	"	15413 with 571c, 15288 and 32550	...	...	...	...	...
50059b	1731	"	"	"	Hinge Screw	...	...	...
15286	1548	"	"	"	Spring	...	...	...
15287	1548	Friction Ring (Rubber)	...	...	...	...	...	...
15288	1548	Pulley	...	...	...	...	...	...
32550	1548	Spindle with 15072	...	...	...	...	...	...
571c	1731	"	"	"	Worm	...	...	...
32625	1124	Stop Latch	...	...	...	...	...	...
50230b	1124	"	"	"	Hinge Screw	...	...	...
15291	1548	"	"	"	Spring	...	...	...
32628	1124	Thread Guide	...	...	...	...	...	...
50061b	1731	"	"	"	Hinge Screw	...	...	...
15366	1548	"	"	"	Spring	...	...	...
15416	1124	Worm Wheel and Thread Guide Cam	...	...	...	...	...	...
2749	1548	"	"	"	"	"	"	Friction Washer
50b	1731	"	"	"	"	"	"	Screw Stud
1528j	1731	"	"	"	"	"	"	Nut
‡32629	1124	<b>Bobbin Winder (automatic), complete, Nos. 50b, 1528j, 2749, 15286, 15287, 15291, 15366, 15376, 15416, 32604, 32625, 32628, 32655, 50058b, 50059b, 50061b and 50230b</b>	...	...	...	...	...	...

## Bobbin Winder (Automatic)

FOR USE WITH BALANCE WHEEL No. 32672.

This Bobbin Winder is the same as No. 32629 with the following exceptions:

No.	Plate							
32673	—	Bracket (Belt Cover)	...	...	...	...	...	...
<b>32674</b>	—	<b>Bobbin Winder (automatic), complete, Nos. 50b, 1528j, 2749, 15286, 15287, 15291, 15366, 15376, 15416, 32625, 32628, 32655, 32673, 50058b, 50059b, 50061b and 50230b</b>	...	...	...	...	...	...

‡ In ordering it is necessary to state whether Egyptian or 99K design ornamentation is required.

## Attachment Set

No.	Plate	
121464	930	Binder ...
25527b	2397	Cloth Guide ...
50053b	2397	" " Thumb Screw ...
35931	930	Hemmer (adjustable) ...
120842	733	" (Foot) $\frac{5}{64}$ " Hem ...
15 × 1		Needles (6) ...
120862		Tin of Oil (1 $\frac{1}{4}$ oz.) ...
32522	1538	Oscillating Hook Bobbin ...
25537	2397	Screw Driver (machine) ...
120378	2397	" " (bobbin case) ...
36583	1160	Tucker ...
86504	—	<b>Set</b> , complete, Nos. 25527b, 25537, 35931, 36583, 50053b, 120378, 120842, 120862 121464, three 32522 and six needles ...
25525	2397	Bias Gauge ...
15429	1151	Presser Foot for Stitching on Edge and Inserting Cord (needle hole on right hand side) ...
86602	2398	Presser Foot for Stitching on Edge and Inserting Cord (needle hole on left hand side) ...
121441	2398	Gathering Foot (double toe) ...
120687	1151	Imitation Hemstitching Attachment with Yielding Presser Plate
35932	930	Quilter ...
120290	930	Ruffler ...
121170	2397	" Shirring Plate ...
25539	2397	Stiletto ...
121547	2397	Under Braider ...

## Art Work and Darning

### DARNING PRESSER

No.	Plate	
86493	1160	Needle Clamp with 552k ...
552k	1160	" " Screw ...
86494	1160	" " Stripper Spring ...
86495	1160	" " " " Eyelet ...
86496	1160	Darning Presser, complete, Nos. 86493 to 86495 ...
121094	2398	Spring Darning Foot ...
32582	2398	Feed Cover Plate with 1423b and 32583 ...
32583	2398	" " " Position Stud ...
1423b	2398	" " " Screw ...
32622	2398	Feed Cover Plate ...
85893	1151	Presser Foot for Etching ...

## Tubular Trimming Attachment

### FOR MAKING $\frac{3}{32}$ ", $\frac{1}{8}$ " and $\frac{5}{32}$ " TRIMMINGS

No.	Plate	
35984	1151	<b>Presser Foot</b> (strip folding) with Tube ...
25539	816	<b>Stiletto</b> ...
35983	1151	<b>Strip Wire</b> ...
35985	1151	<b>Tubular Trimming Attachment</b> , complete, Nos. 25539, 35983 and 35984 ...

*NOTE.* When ordering 35983 state size of Attachment with which it is to be used.

*NOTE.* When ordering 35985 state size required.

## Embroidery Hoops (Plain)

(BIRCH)

No.	Plate						
87586	—	Round, 5 $\frac{3}{8}$ " diam. $\times$ 7 $\frac{m}{m}$ " high	...	...	...	...	...
96416	—	" 7" " $\times$ 7 $\frac{m}{m}$ " "	...	...	...	...	...
87589	1221	" 8" " $\times$ 7 $\frac{m}{m}$ " "	...	...	...	...	...
87593	—	" 10" " $\times$ 7 $\frac{m}{m}$ " "	...	...	...	...	...
87595	—	" 12" " $\times$ 7 $\frac{m}{m}$ " "	...	...	...	...	...
96422	1221	Oval, 9" $\times$ 4 $\frac{1}{2}$ " $\times$ 7 $\frac{m}{m}$ " high	...	...	...	...	...
87597	—	" 12" $\times$ 5 $\frac{1}{2}$ " $\times$ 7 $\frac{m}{m}$ " "	...	...	...	...	...

## Embroidery Hoops (with Clamp)

(BIRCH)

No.	Plate						
96417	—	Round, 5 $\frac{3}{8}$ " diam. $\times$ 7 $\frac{m}{m}$ " high, with SS528j, NX95j, two	96425	and four	96427		
96418	—	" 7" " $\times$ 7 $\frac{m}{m}$ " " " SS528j, NX95j, two	96426	and four	96427		
96419	—	" 8" " $\times$ 7 $\frac{m}{m}$ " " " SS528j, NX95j, two	96426	and four	96427		
96420	—	" 10" " $\times$ 7 $\frac{m}{m}$ " " " SS528j, NX95j, two	96426	and four	96427		
96421	—	" 12" " $\times$ 7 $\frac{m}{m}$ " " " SS528j, NX95j, two	96426	and four	96427		
96423	—	Oval, 9" $\times$ 4 $\frac{1}{2}$ " $\times$ 7 $\frac{m}{m}$ " high, with SS528j, NX95j, 96425, 96426 and	96427				
96424	—	" 12" $\times$ 5 $\frac{1}{2}$ " $\times$ 7 $\frac{m}{m}$ " " " SS528j, NX95j, 96425, 96426 and	96427				
96425	2399	Clamping Bracket for 96417, 96423 and 96424	...				
96426	2399	" " " 96418 to 96420, 96423 and 96424	...				
96844	2399	" " " 96421	...				
96427	2399	" " Rivet for 96417 to 96420, 96423 and 96424	...				
96845	2399	" " " " 96421	...				
SS528j	2399	" " Screw	...				
NX95j	2399	" " Nut	...				

## Hand Attachment

No.	Plate						
†94050	2284	Body	...	...	...	...	...
94027	2284	" Bracket	...	...	...	...	...
183e	2114	" " Screw	...	...	...	...	...
94028	2114	Crank Handle (wood)	...	...	...	...	...
94029b	2114	" " Spindle	...	...	...	...	...
94030b	2114	" " " Flange (loose)	...	...	...	...	...
94069	2114	" Hinge Pin	...	...	...	...	...
94031a	2284	" Lever	...	...	...	...	...
94032	2114	" " Lock Pin	...	...	...	...	...
94033b	2114	" " " Head	...	...	...	...	...
55531	2114	" " " Spring	...	...	...	...	...
94034b	—	Crank Complete, Nos. 94028, 94029b, 94030b and 94031a	...	...	...	...	...
94016	2114	Driver	...	...	...	...	...
94070	—	" 94016 with 80028 and 94048	...	...	...	...	...
94036	2114	" Finger	...	...	...	...	...
94039	2114	" " Driving Pad (raw hide)	...	...	...	...	...
94040	2114	" " " " Plate	...	...	...	...	...
SS567e	2114	" " " " and Plate Binding Screw	...	...	...	...	...
94041	—	" " 94036 with SS567e, 94039 and 94040	...	...	...	...	...
94044	2114	" " Hinge Pin	...	...	...	...	...
94037	2114	" " Latch	...	...	...	...	...
SS565e	2114	" " " Screw Stud	...	...	...	...	...
94038	2114	" " " Spring	...	...	...	...	...
94051b	2284	Gear with 55531, 94032 and 94033b	...	...	...	...	...
94016	2284	" Cover	...	...	...	...	...
399a	2114	" " Screw	...	...	...	...	...
SS599f	2114	" Screw Stud	...	...	...	...	...
94048	2114	Pinion	...	...	...	...	...
80028	2114	" Dowel Pin	...	...	...	...	...
SS600f	2114	" Screw Stud (eccentric)	...	...	...	...	...
†94052b	2284	Hand Attachment, complete, Nos. SS565e, SS566e, SS599f, SS600f, 94016, 94027, 94031b, 94037, 94038, 94041, 94044, 94050, 94051b, 94069, 94070 two each 183e and 399a	...	...	...	...	...
SS566e	2114	Hand Attachment Screw	...	...	...	...	...

\*In ordering it is necessary to state Class of Machine.

## Obsolete Parts

No.	Plate							
32513	1986	Needle Bar	...	...	...	...	...	...
32514	1986	" "	Bushing	...	...	...	...	...
32580	1986	" "	Connecting Stud	...	...	...	...	...
32593	1986	Oscillating Hook Bobbin Case Cushion Spring	...	...	...	...	...	...
32591	1986	" "	" "	Position Bracket	...	...	...	...
32592	---	" "	" "	" "	Complete	...	...	...
142d	1986	" "	" "	" "	Screw	...	...	...
32527	1986	" "	" "	Ejector	...	...	...	...
1137e	1986	" "	" "	" "	Hinge Screw	...	...	...
32521	1986	" "	" "	Bell Crank	...	...	...	...
1135j	1986	" "	" "	" "	Stud	...	...	...
1642b	1986	" "	" "	" "	Collar with 165k	...	...	...
165k	1986	" "	" "	" "	Set Screw	...	...	...
32558	1986	Presser Bar	...	...	...	...	...	...
32601	1986	" "	Foot	...	...	...	...	...
32560	1986	" "	" "	Holder	...	...	...	...
1155b	1986	" "	" "	" "	Screw	...	...	...
1158b	1986	" "	" "	Thumb Screw	...	...	...	...

## Numerical List of Parts

No.	Plate							
42c	1731	Feed Regulator Hinge Screw	...	...	...	...	...	...
44c	1731	Oscillating Hook Pitman Hinge Screw	...	...	...	...	...	...
50b	1731	Bobbin Winder Worm Wheel and Thread Guide Cam Screw Stud for 32629 and 32674	...	...	...	...	...	...
85c	1546	Presser Bar Lifter Screw	...	...	...	...	...	...
NX95j	2399	Embroidery Hoop Clamping Bracket Screw Nut for 96417 to 96421, 96423 and 96424	...	...	...	...	...	...
97e	1546	Tension Releasing Lever Hinge Screw	...	...	...	...	...	...
107b	1546	Face Plate Screw	...	...	...	...	...	...
112d	1986	Oscillating Hook Bobbin Case Position Bracket Screw	...	...	...	...	...	(Obsolete)
175j	1731	Feed Forked Connection Adjusting Screw for 32620	...	...	...	...	...	...
175j	1731	Oscillating Hook Pitman Adjusting Screw for 32531	...	...	...	...	...	...
180b	1731	Bobbin Winder Bracket Screw	...	...	...	...	...	...
183c	1731	Hand Attachment Body Bracket Screw for 94052b	...	...	...	...	...	...
191k	1731	Feed Dog Screw	...	...	...	...	...	...
216c	1731	Oscillating Hook Pitman Screw Stud Screw	...	...	...	...	...	...
219c	1546	Slack Thread Regulator Screw	...	...	...	...	...	...
226d	1731	Oscillating Hook Slide Friction Spring Screw	...	...	...	...	...	...
248a	1731	Clamp Stop Motion Clamp Stop Screw for 32619	...	...	...	...	...	...
253b	1546	Feed Regulating Thumb Screw	...	...	...	...	...	...
256b	1731	Clamp Stop Motion Clamp Screw for 32619	...	...	...	...	...	...
263j	1546	Pressure Regulating Thumb Screw	...	...	...	...	...	...
301c	1546	Arm Rock Shaft Screw Centre (lower)	...	...	...	...	...	...
307c	1731	Feed Rock Shaft Screw Centre	...	...	...	...	...	...
315c	1731	Feed Bar Screw Centre	...	...	...	...	...	...
399a	1731	Hand Attachment Gear Cover Screw for 94052b	...	...	...	...	...	...
443c	1546	Arm Shaft Bushing Set Screw for 32616	...	...	...	...	...	...
453c	1731	Presser Bar Guide Bracket Set Screw for 32535	...	...	...	...	...	...
453c	1731	Thread Take-up Spring Regulator Set Screw	...	...	...	...	...	...
465k	1986	Oscillating Hook Bell Crank Stud Collar Set Screw for 1642b	...	...	...	...	...	(Obsolete)
SS528j	2399	Embroidery Hoop Clamping Bracket Screw for 96417 to 96421, 96423 and 96424	...	...	...	...	...	...
552k	4160	Darning Presser Needle Clamp Screw for 86493	...	...	...	...	...	...

ILLUSTRATED  
LIST OF PARTS

FOR

CLASS 66K MACHINES

Half Size

3

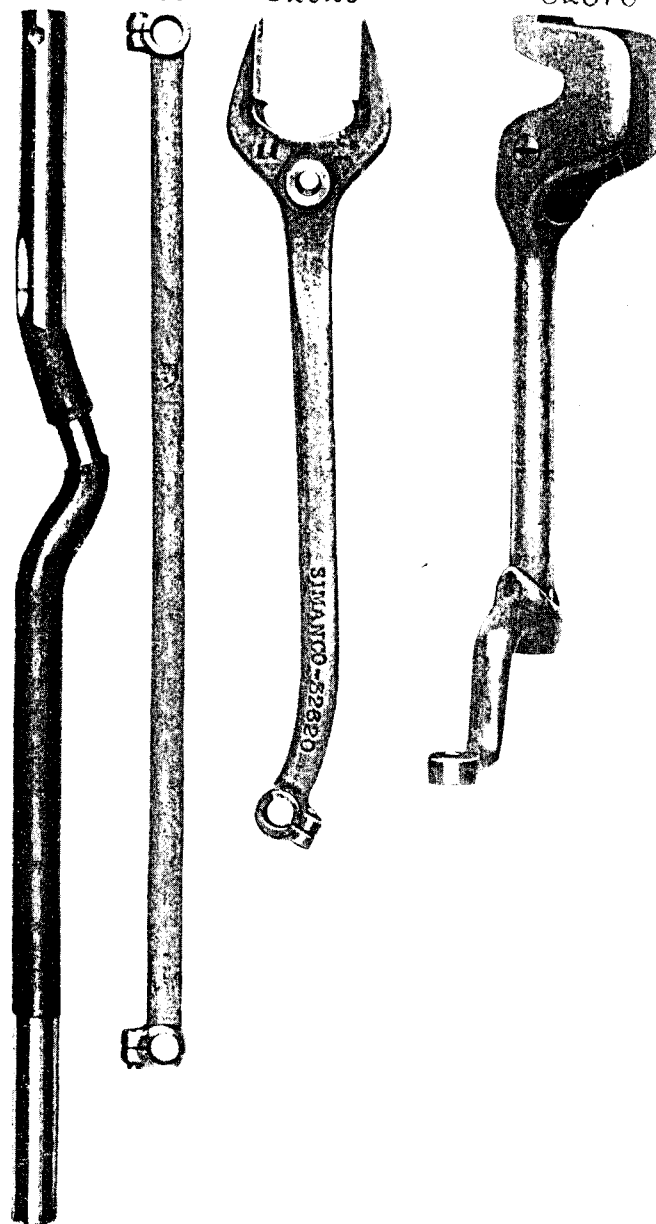
PLATE 724

32677

32531

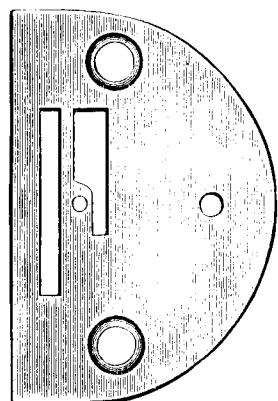
32620

32676

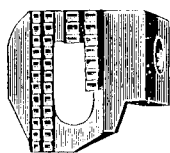


THE SINGER MANUFACTURING COMPANY

32602



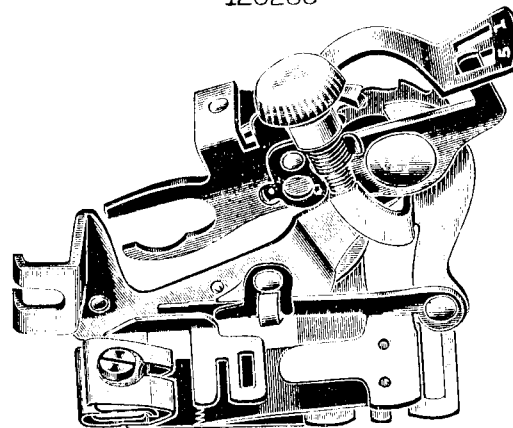
32600



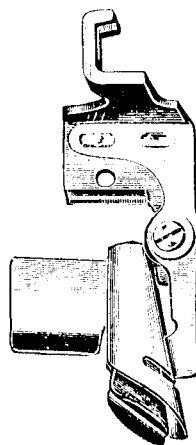
120842



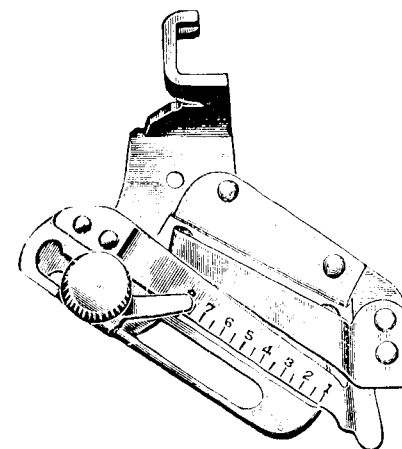
120290



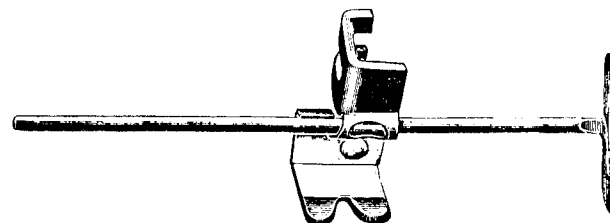
121464



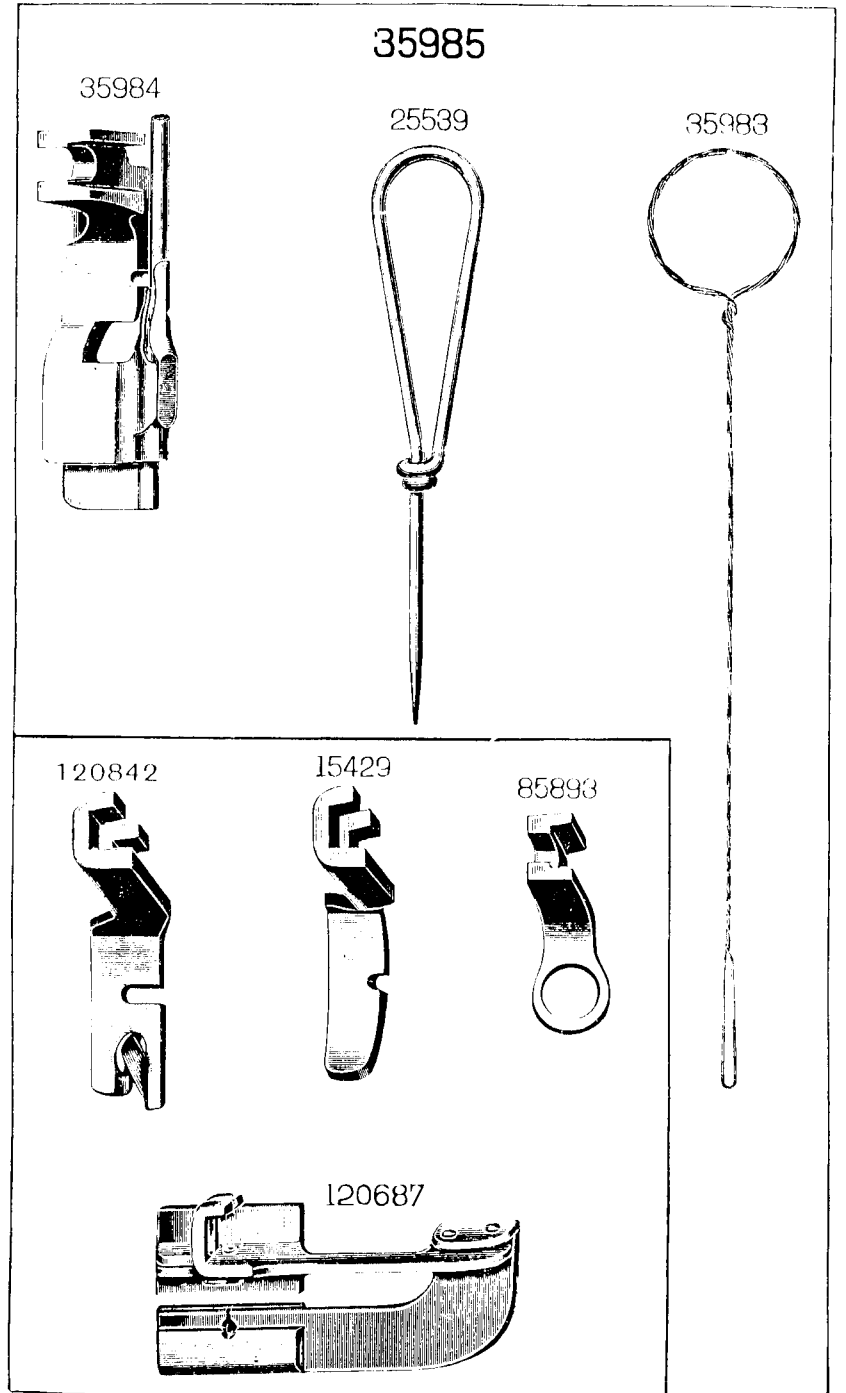
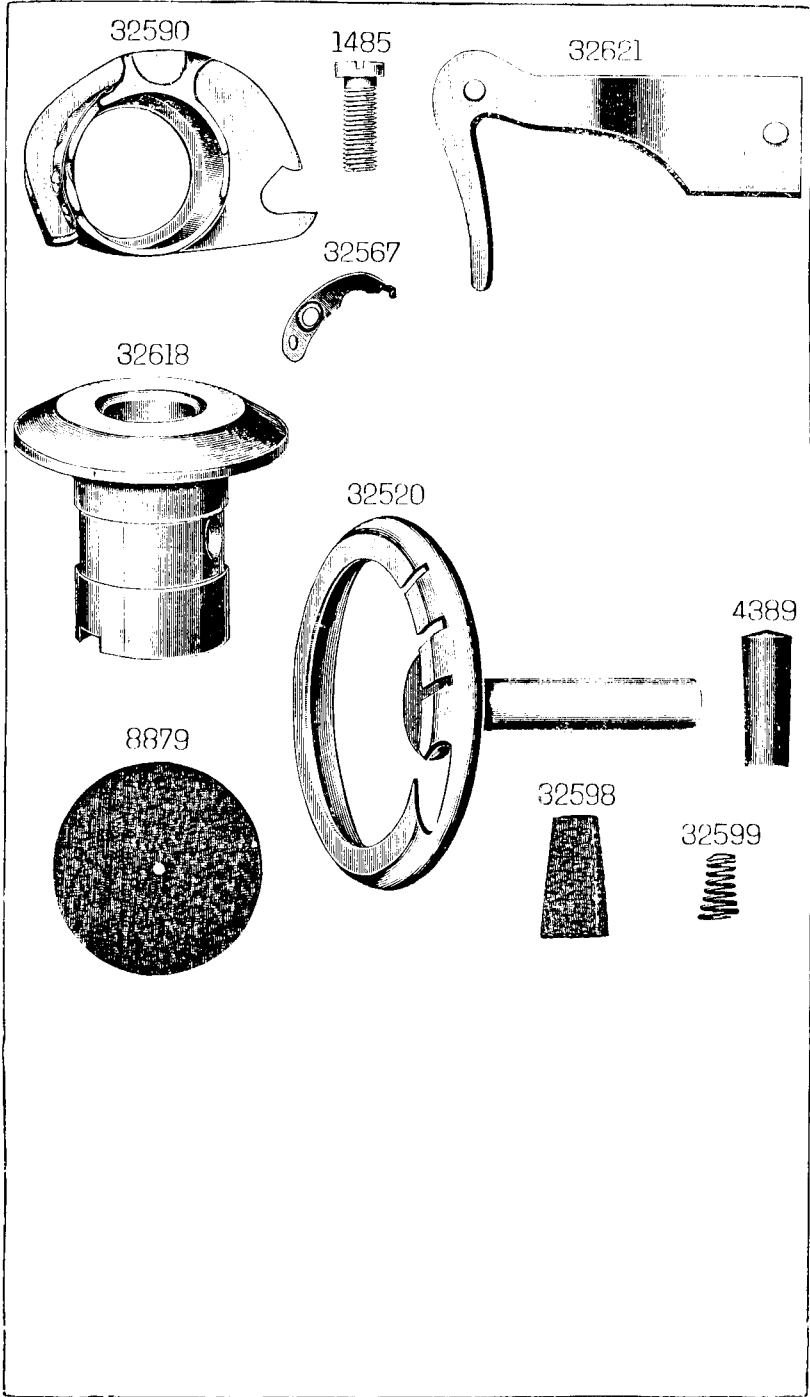
35931



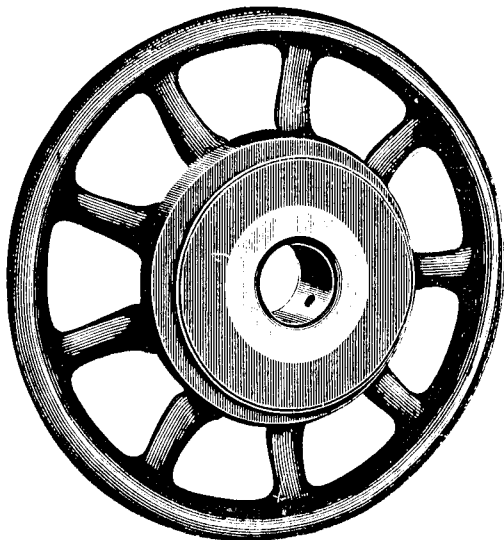
35932



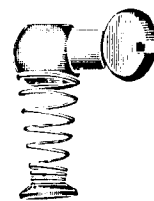




15282



86496



552



86493



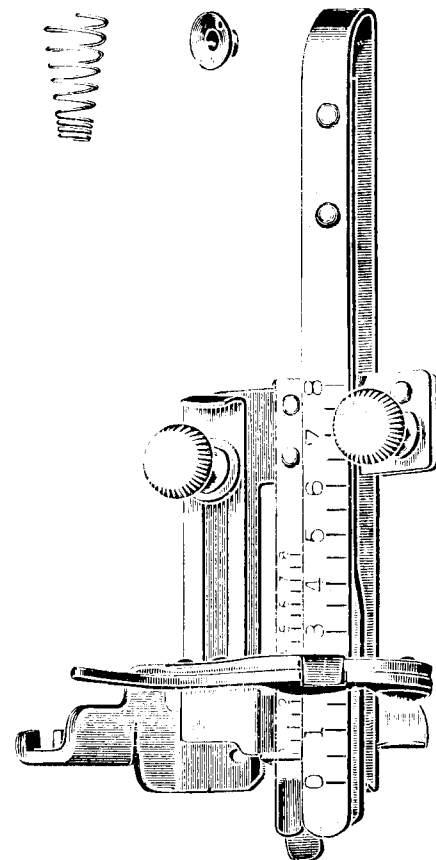
86494



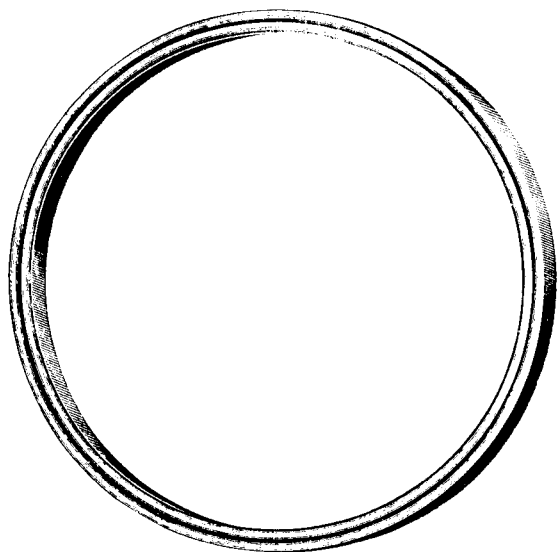
86495



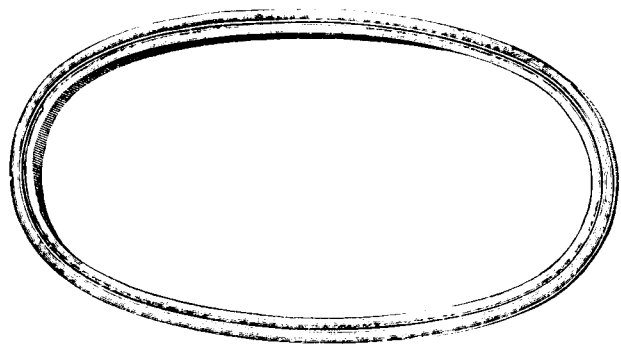
36583



87589



96422



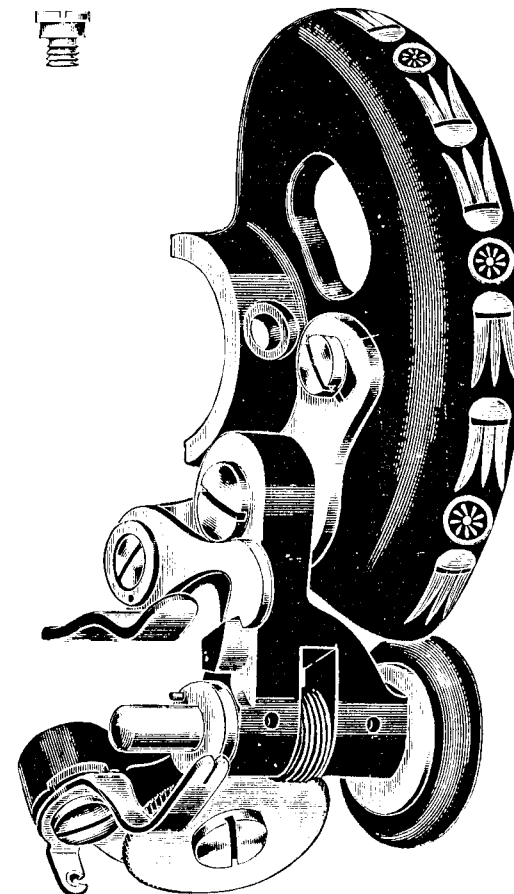
15376



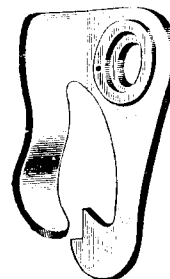
50230



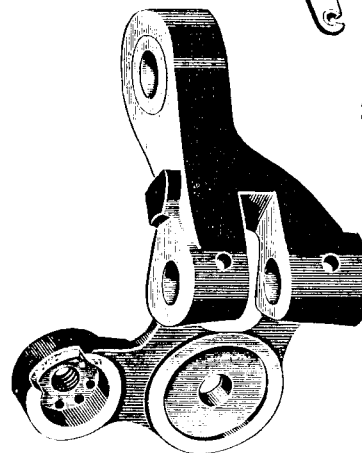
32629



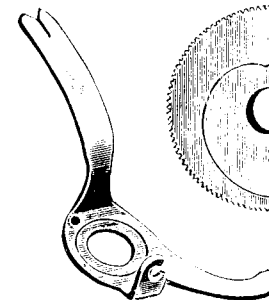
32625



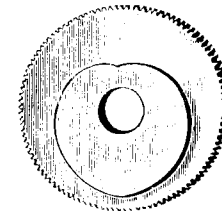
15413

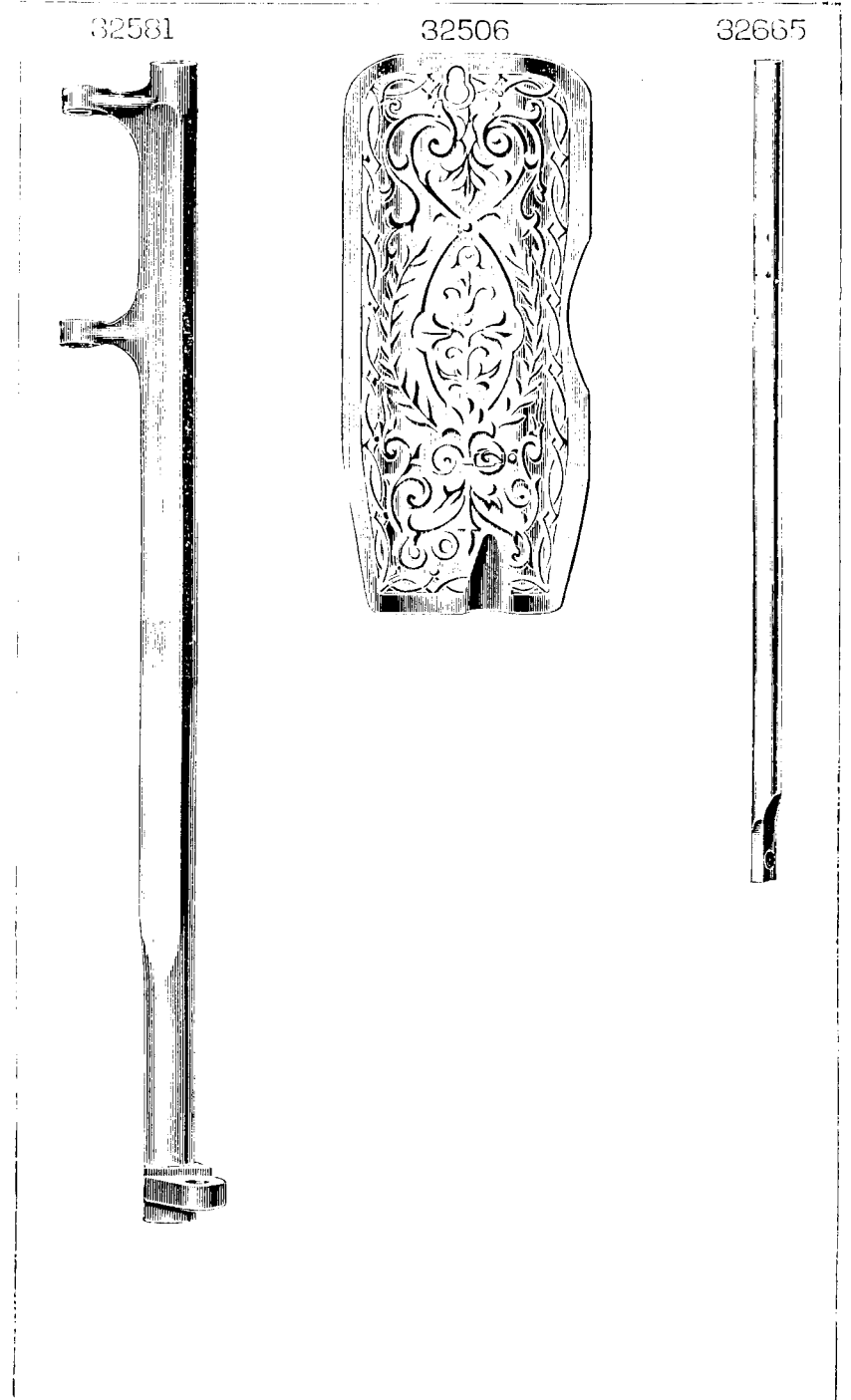
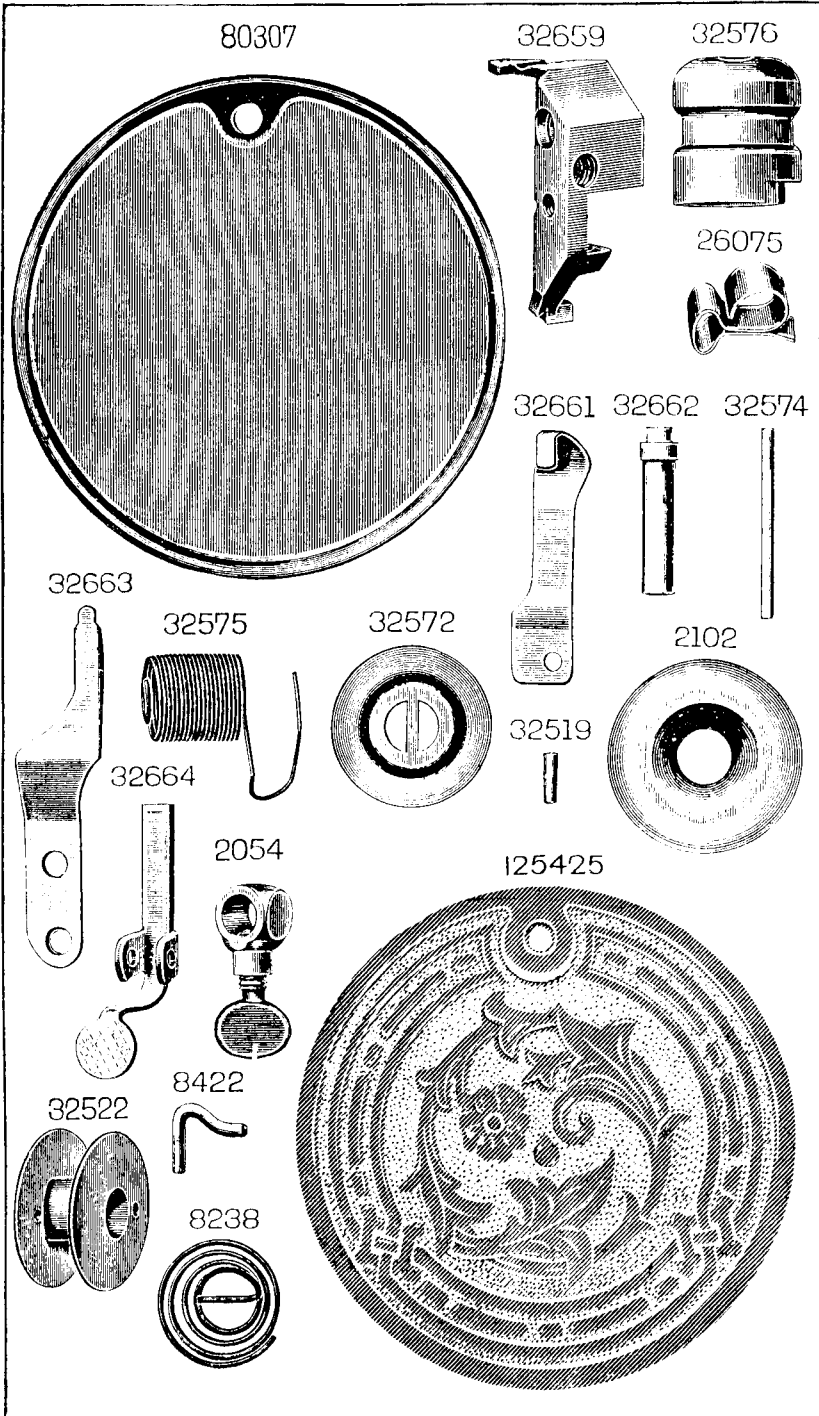


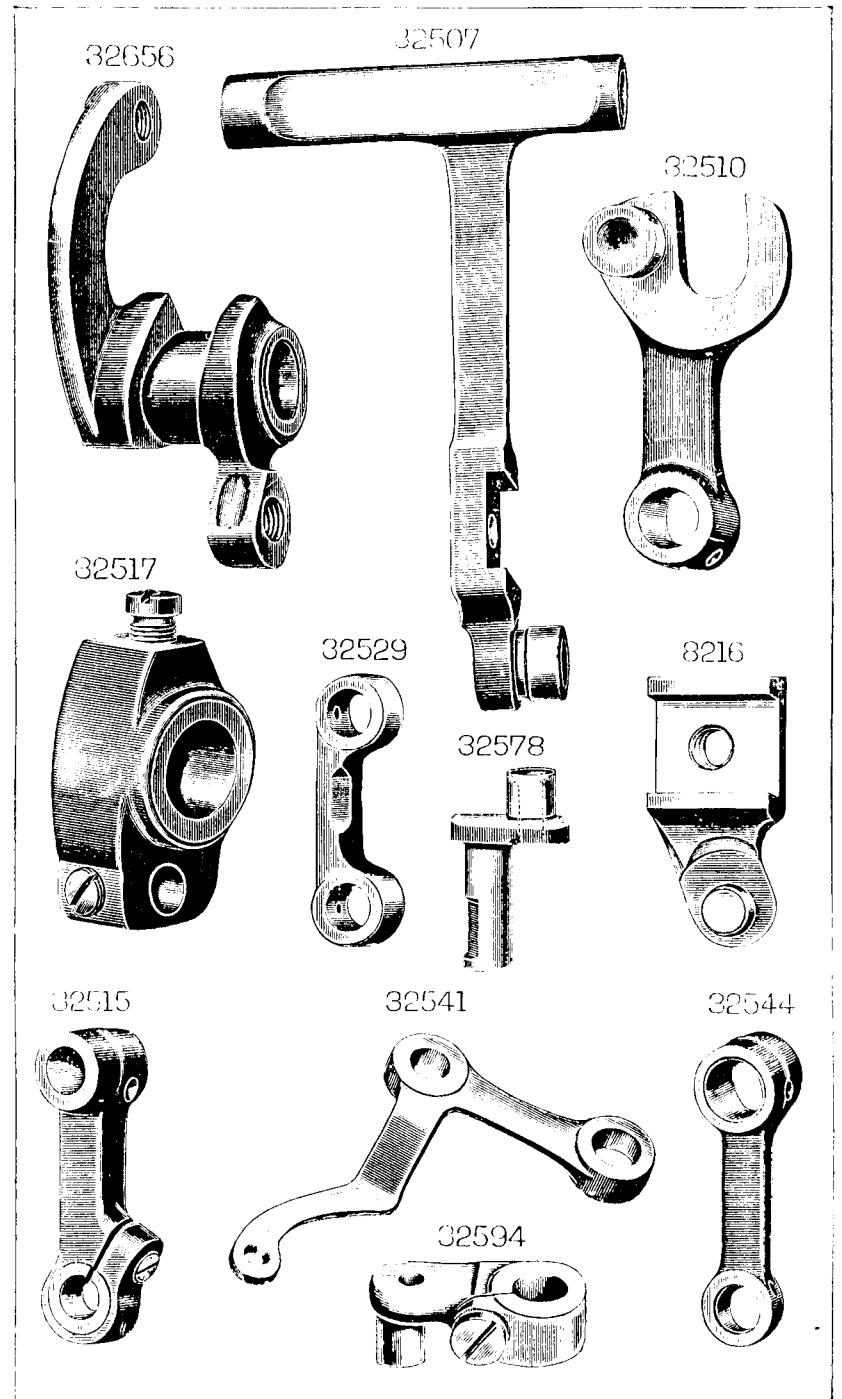
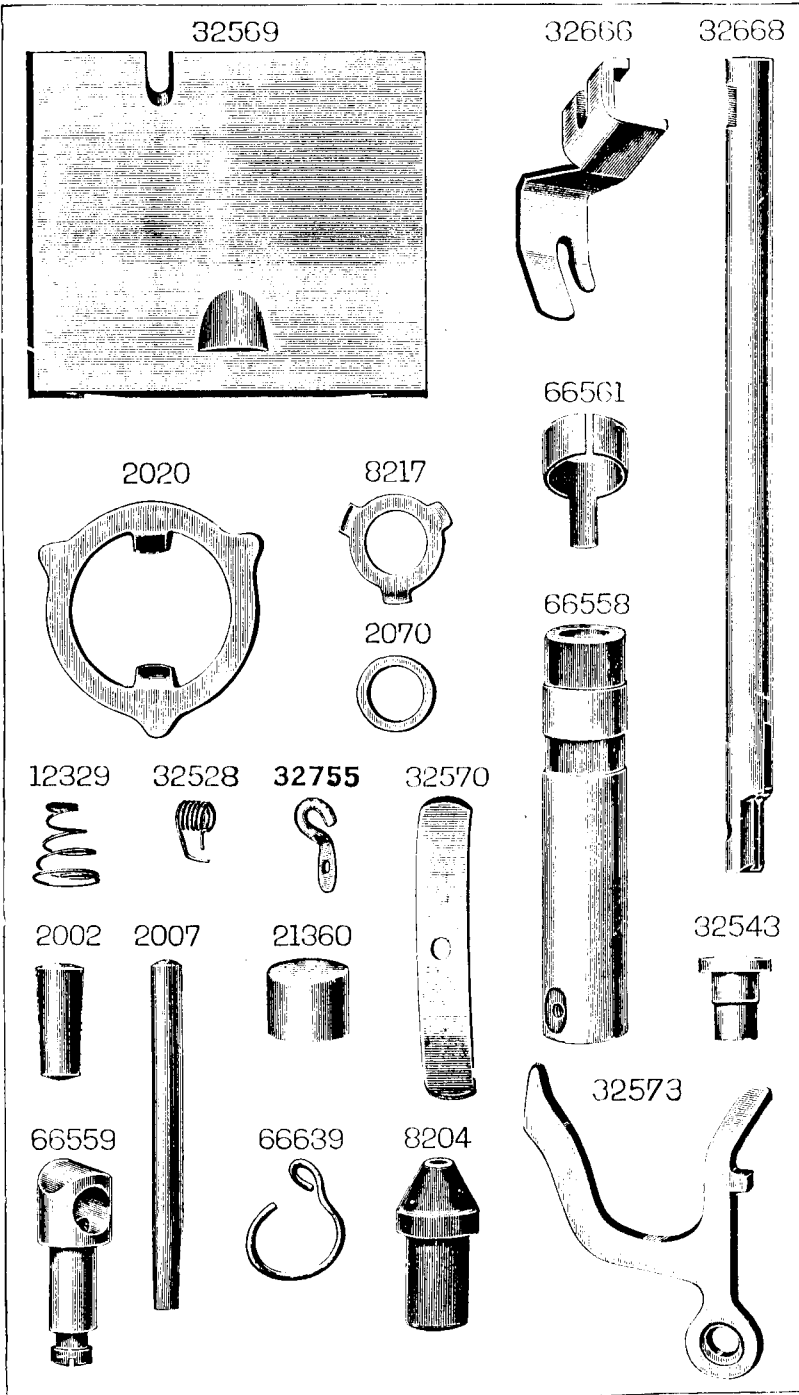
32623

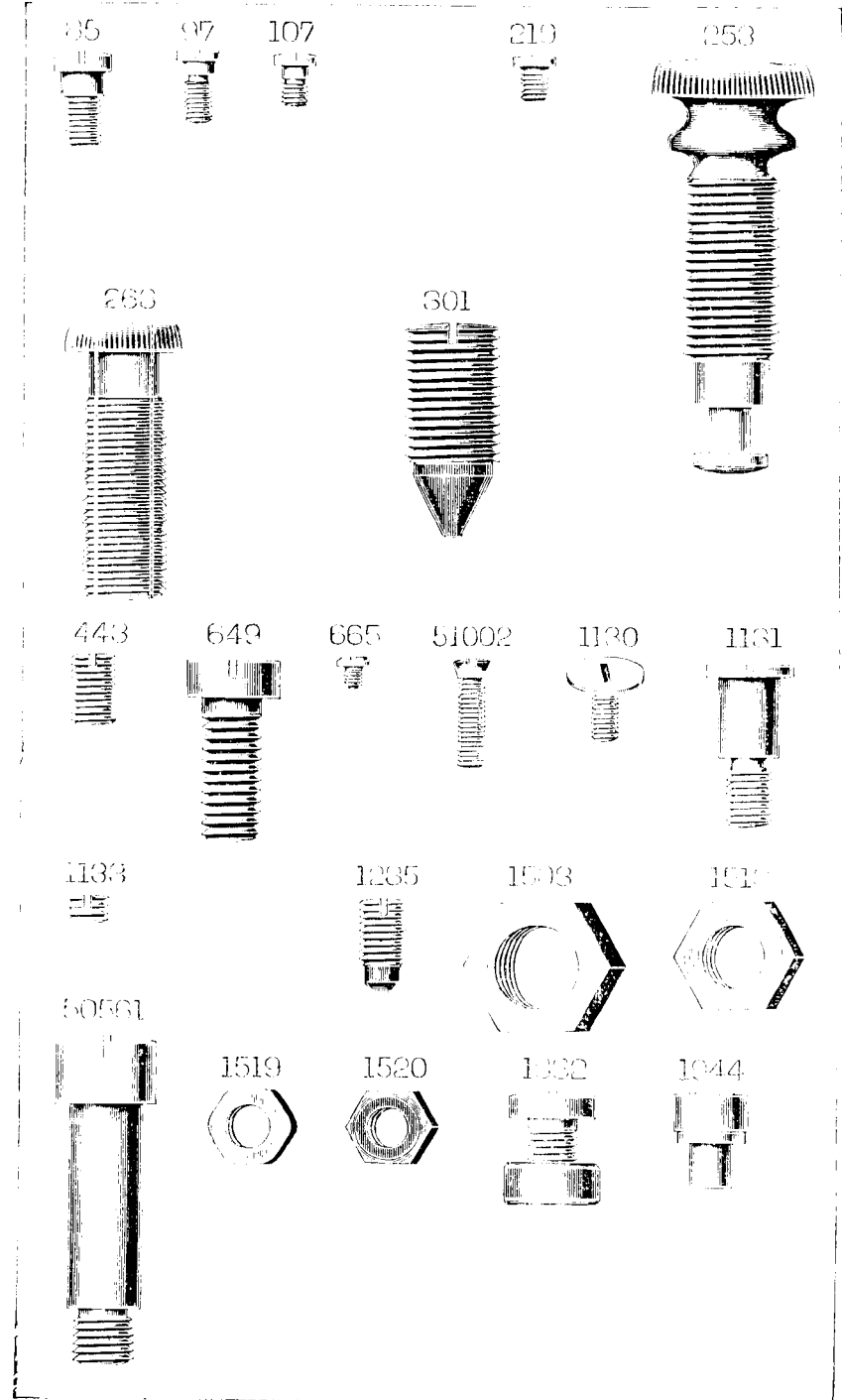
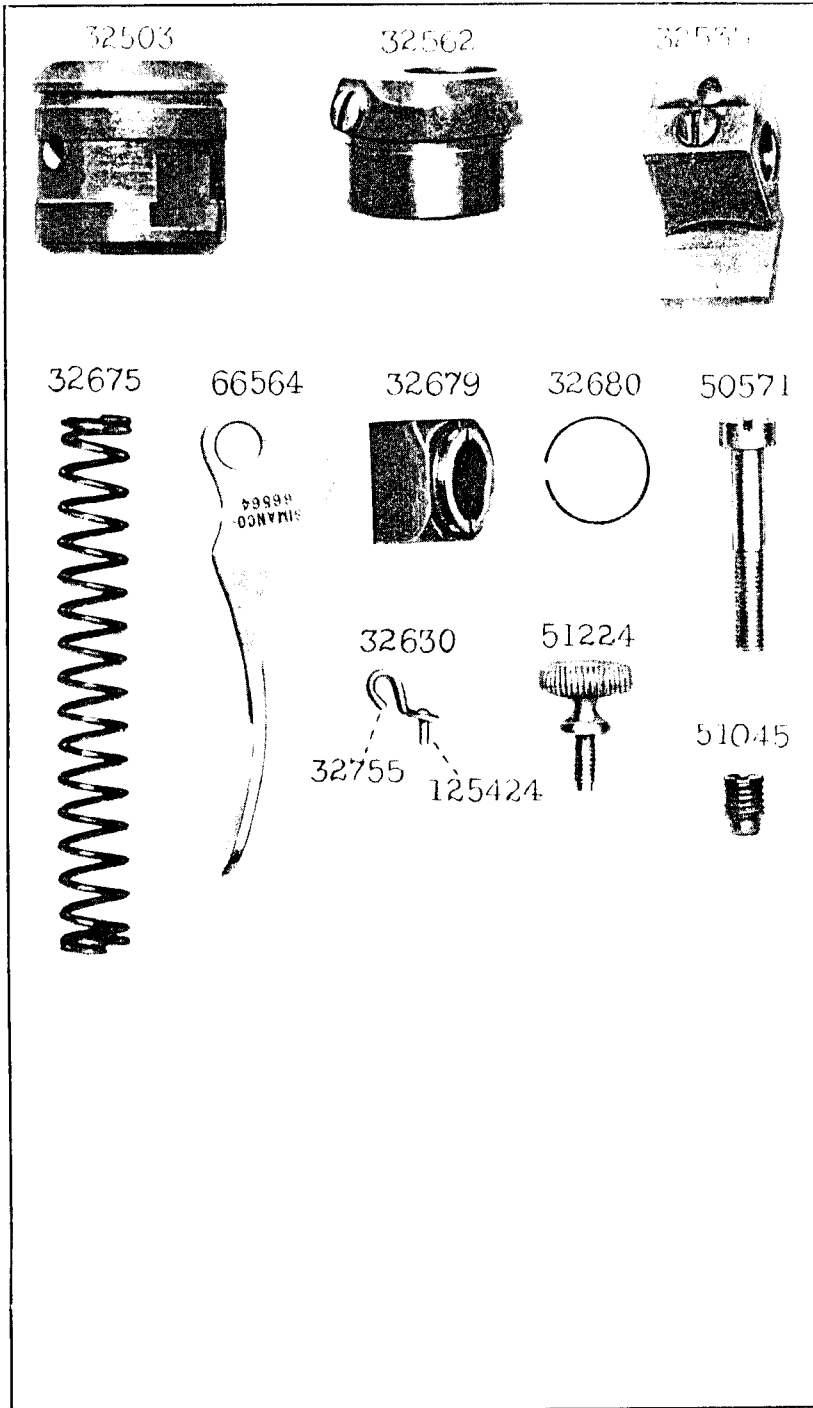


15415

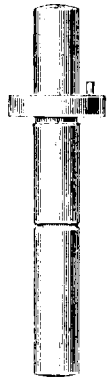




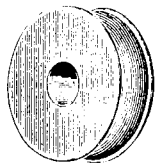




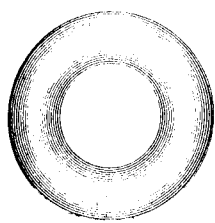
32550



15288



15287



2749



15366



15291



15286



15072



50



180



571



50058



50059



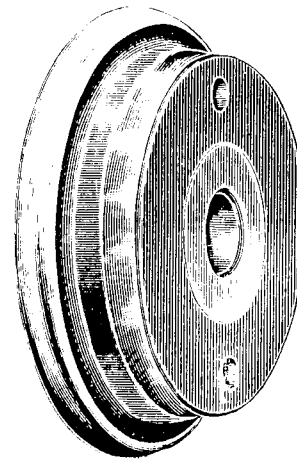
50061

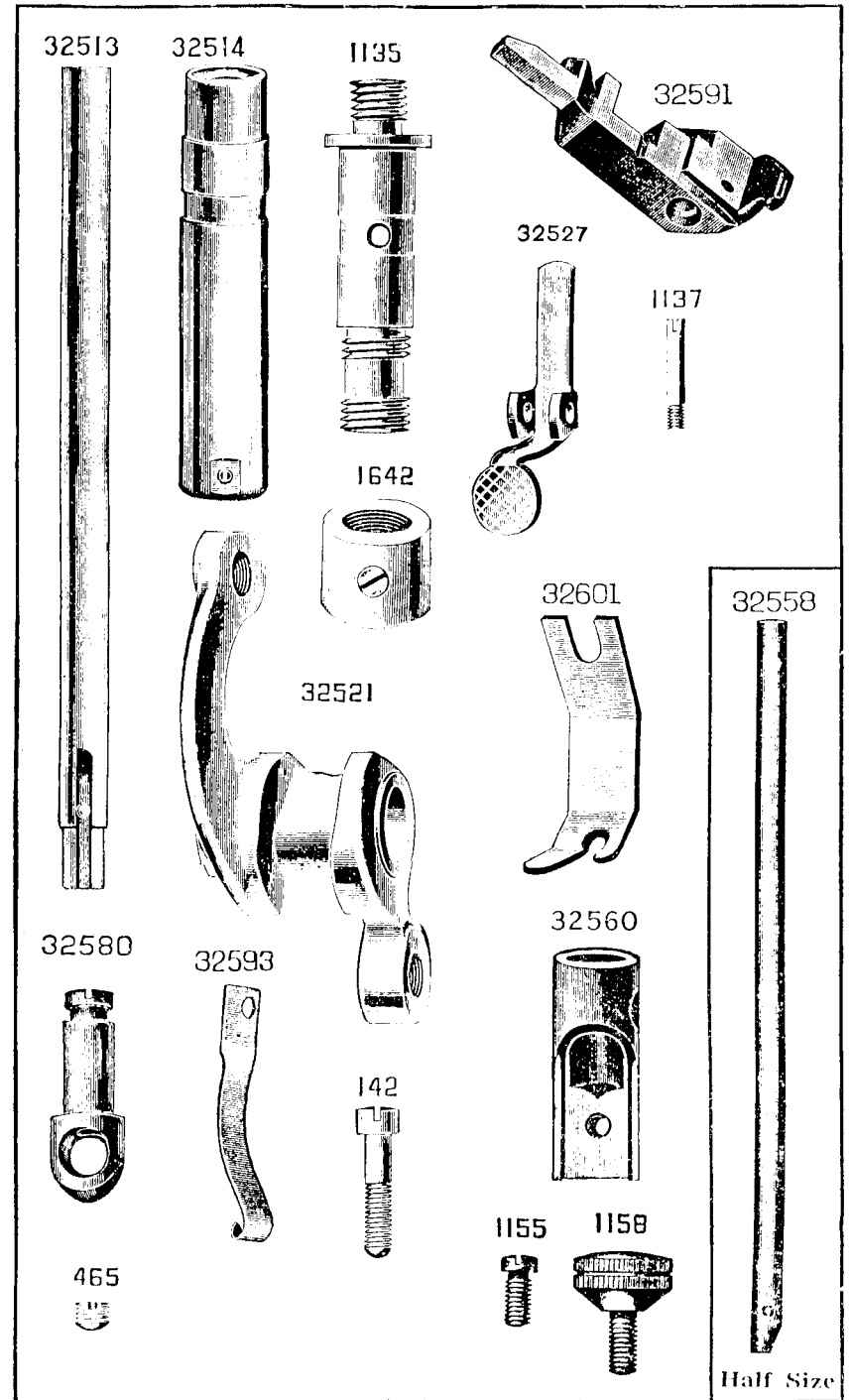
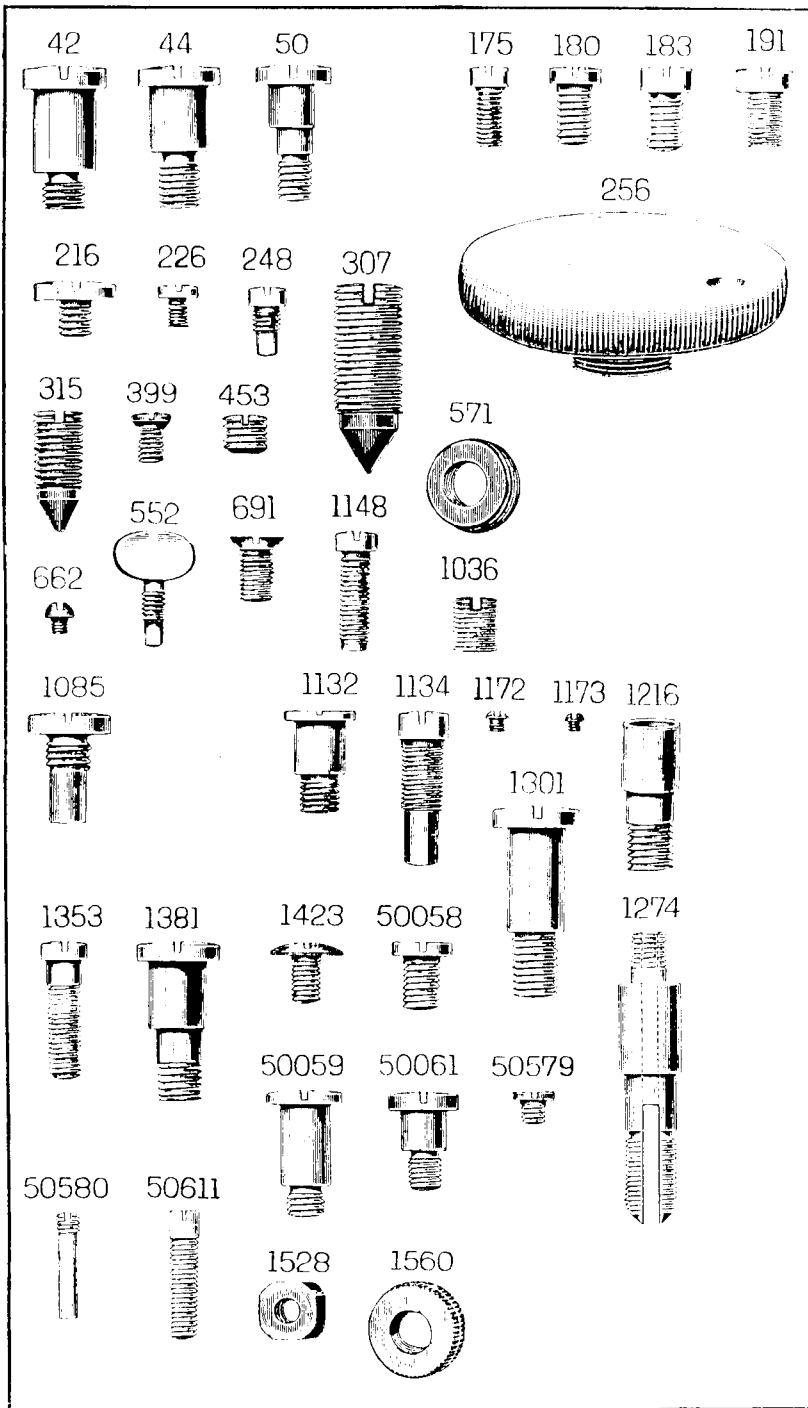


1528

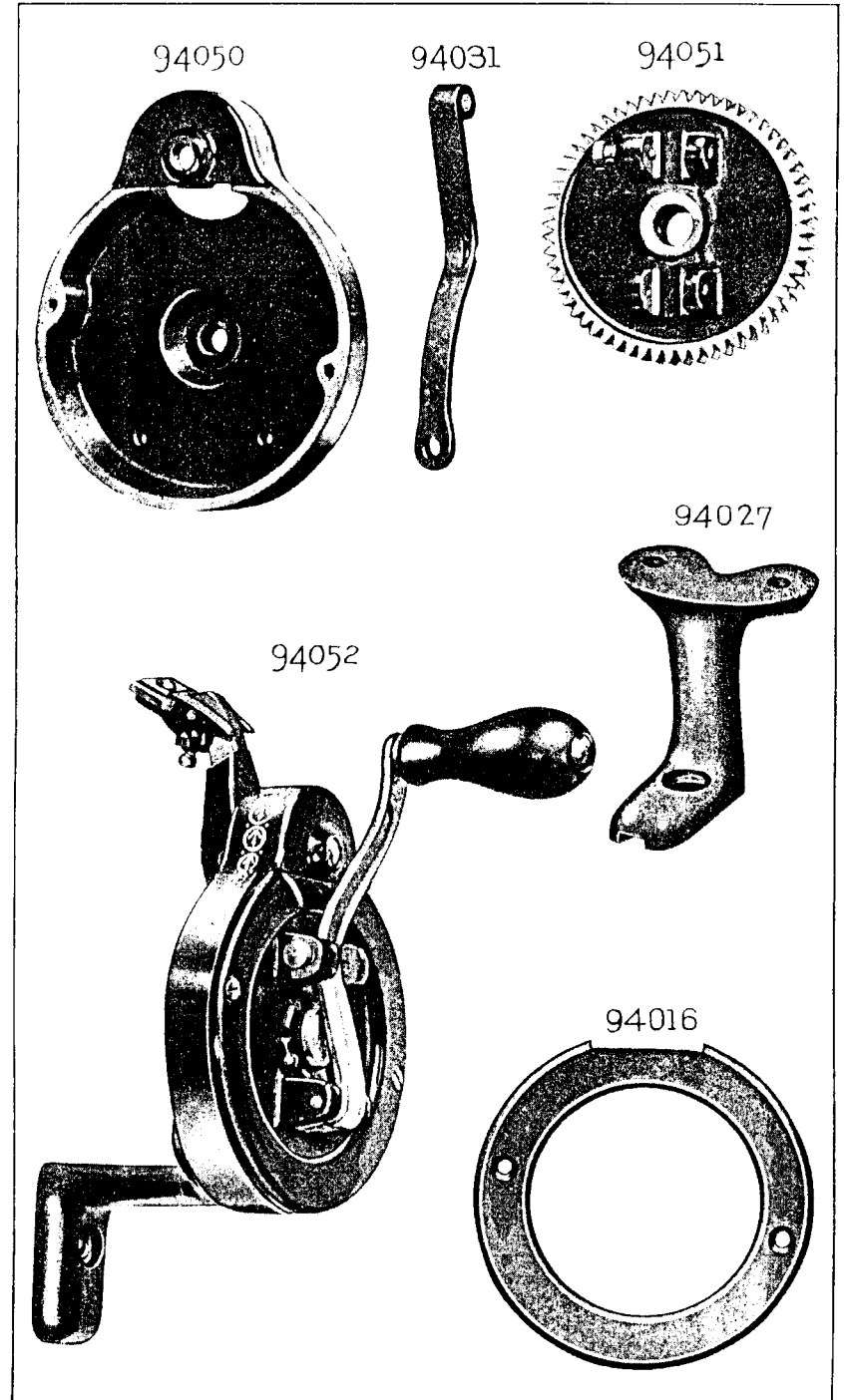
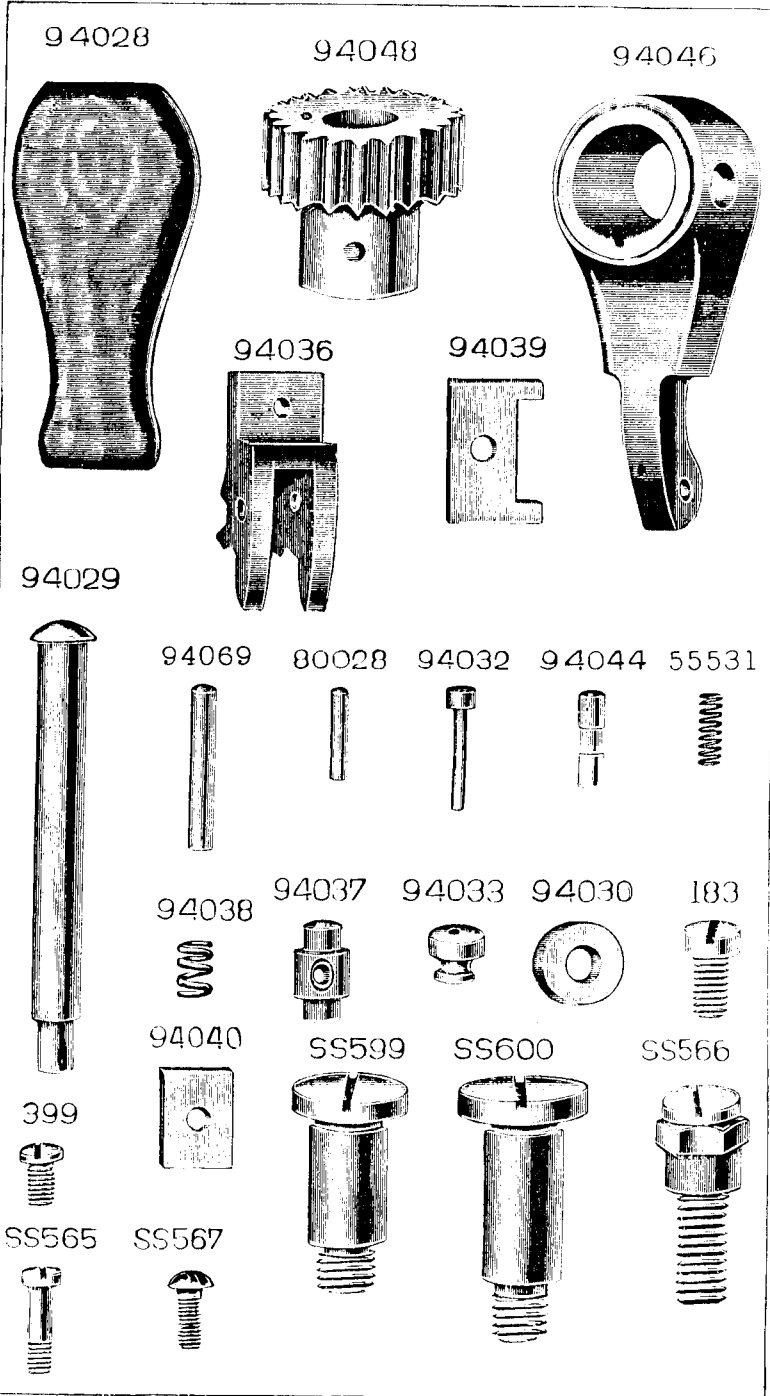


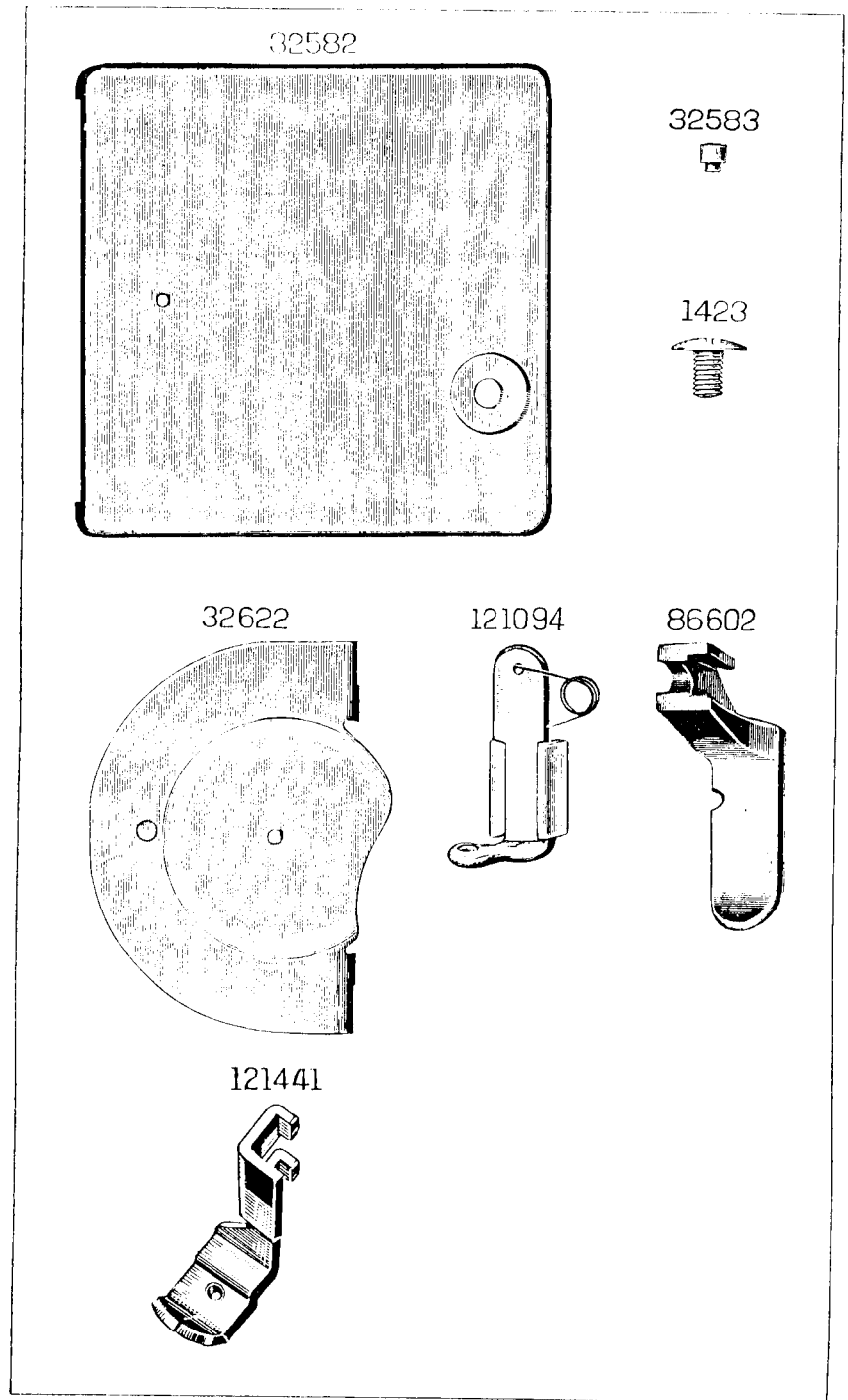
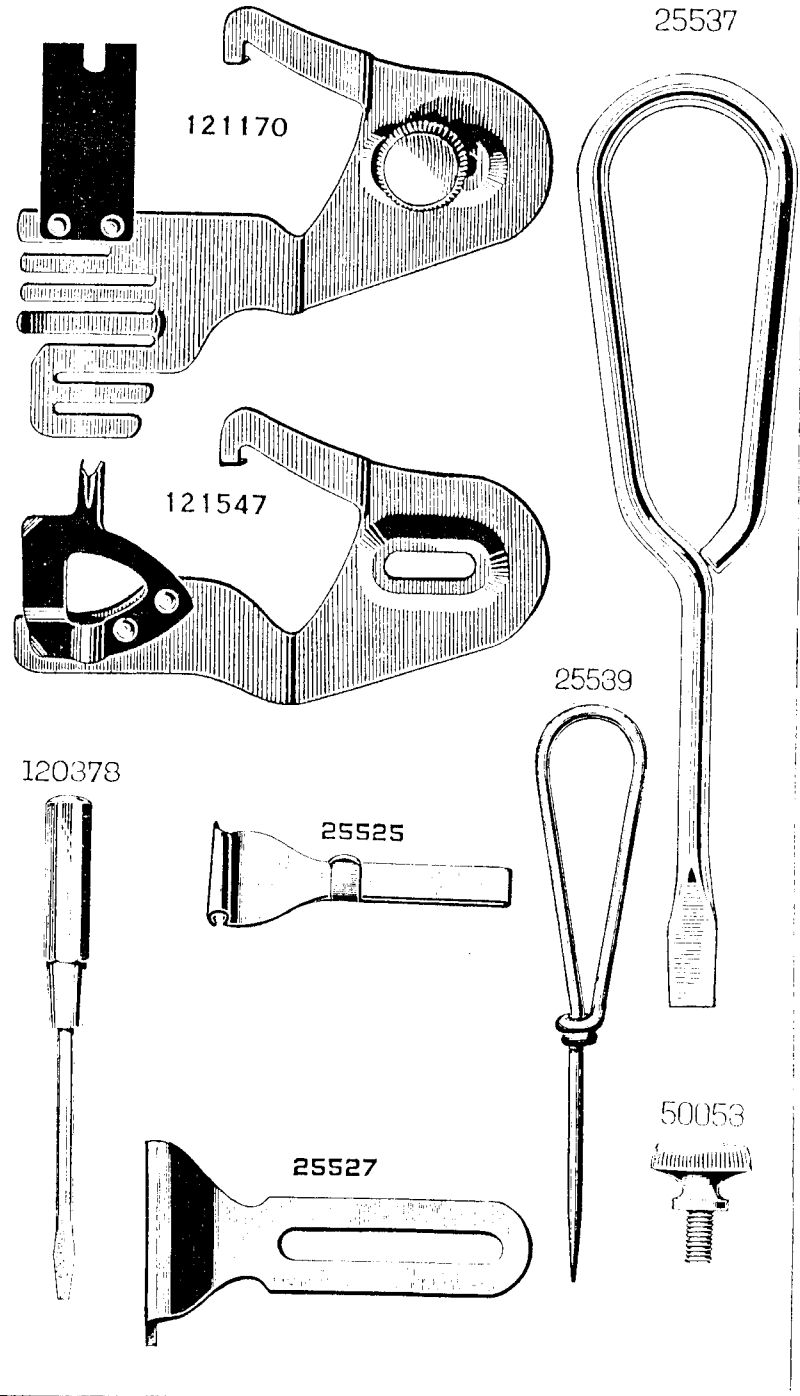
32672



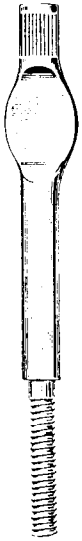








SS528



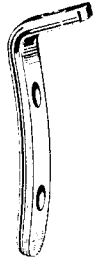
96425



96426



96844



96427



96845



WV95

