

**SINGER**  
**6SS,7SS**

**Illustrated  
Parts List**

**SINGER**  
INDUSTRIAL PRODUCTS

9

**BLINDSTITCH MACHINES**

**6**

**AND**

**7**

**CLASS**

## ORDERING INSTRUCTIONS

All orders for parts and needles should specify the Machine Model number. The letter "K" should also be added in front of the part number being ordered.

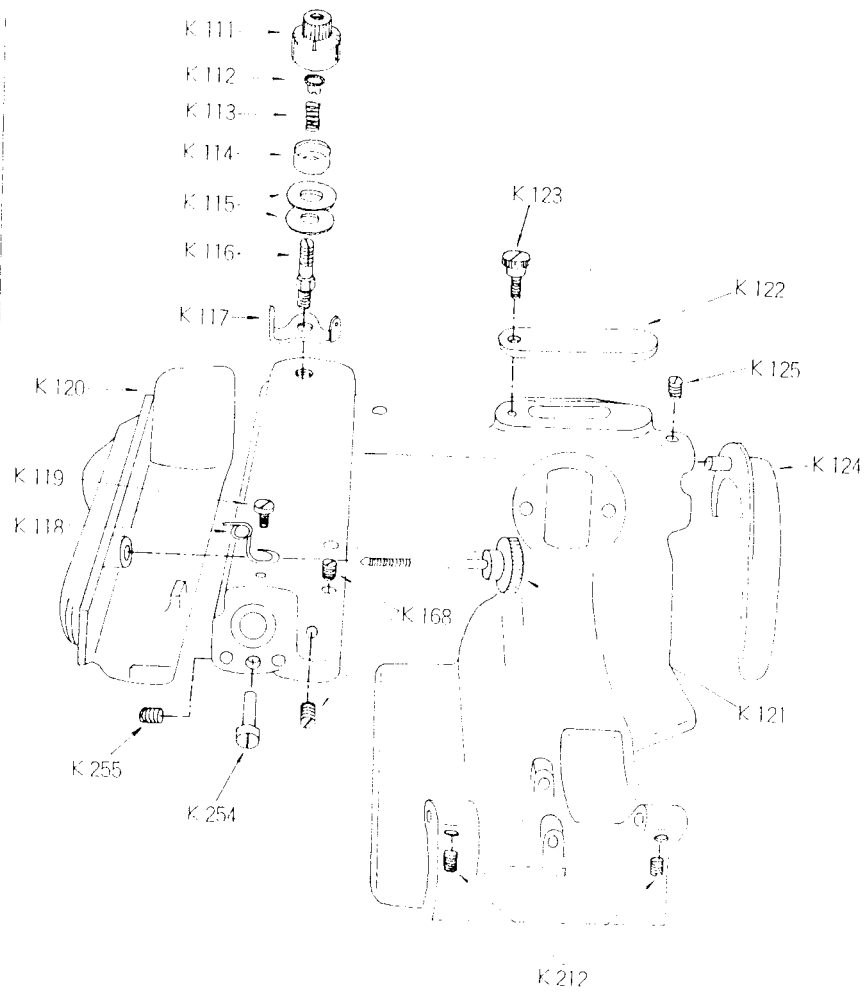
For example :

For Machine Model 6SS

Quantity  
1

Part No.  
K150

Parts No.	Description
K111	Thread tension nut
K112	Thread tension spring bushing
K113	Thread tension spring
K114	Thread tension spring cover
K115	Thread tension disc (2)
K116	Thread tension stud
K117	Thread tension thread guide
K118	Thread guide (front)
K119	Thread guide (front) screw
K120	Arm side cover
K121	Arm side cover thumb screw
K122	Arm top cover
K123	Arm top cover screw
K124	Belt safety guard
K125	Belt safety guard screw
K168	Looper rod adjusting block set screw
K212	Feed frame rocker shaft set screw
K254	Presser foot eccentric pin
K255	Presser foot eccentric pin set screw



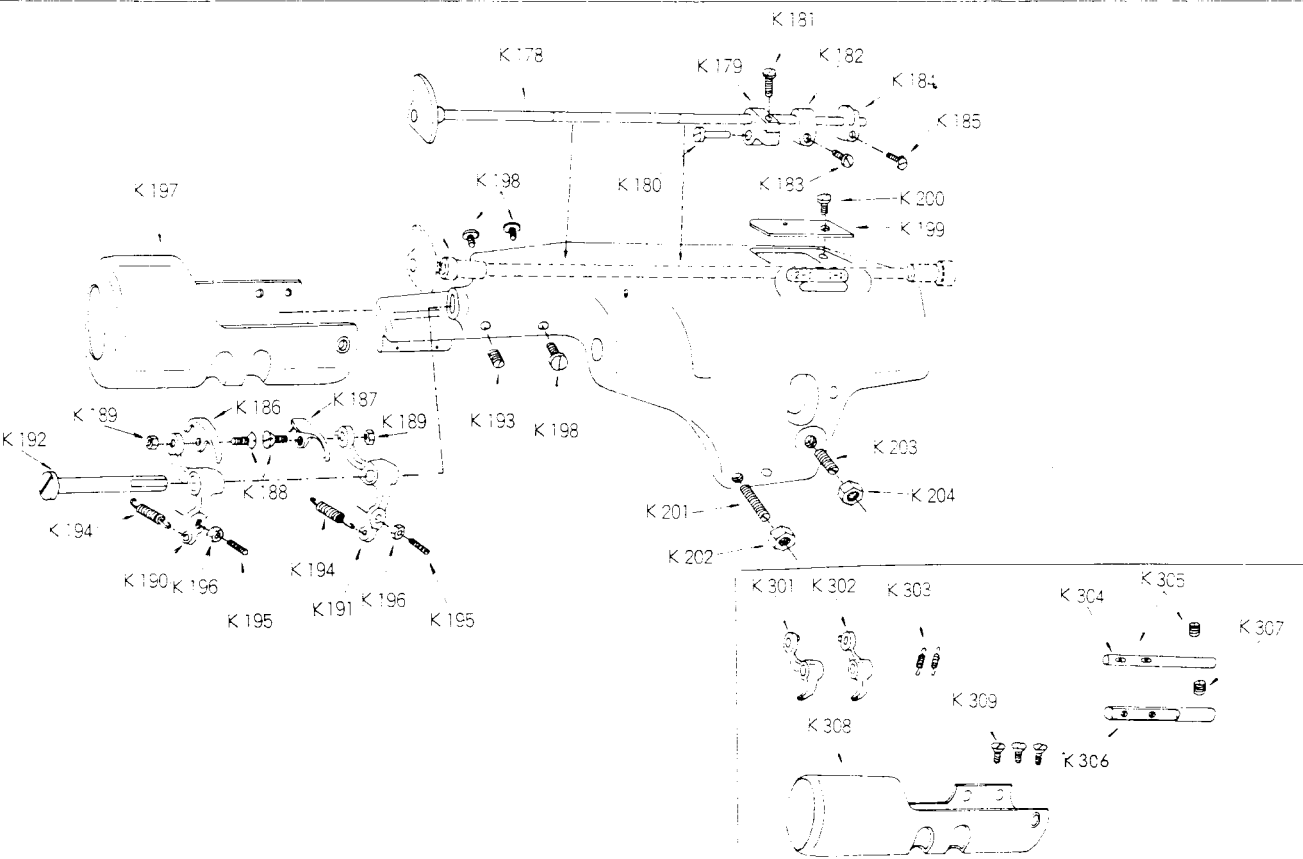
Parts No.

Description

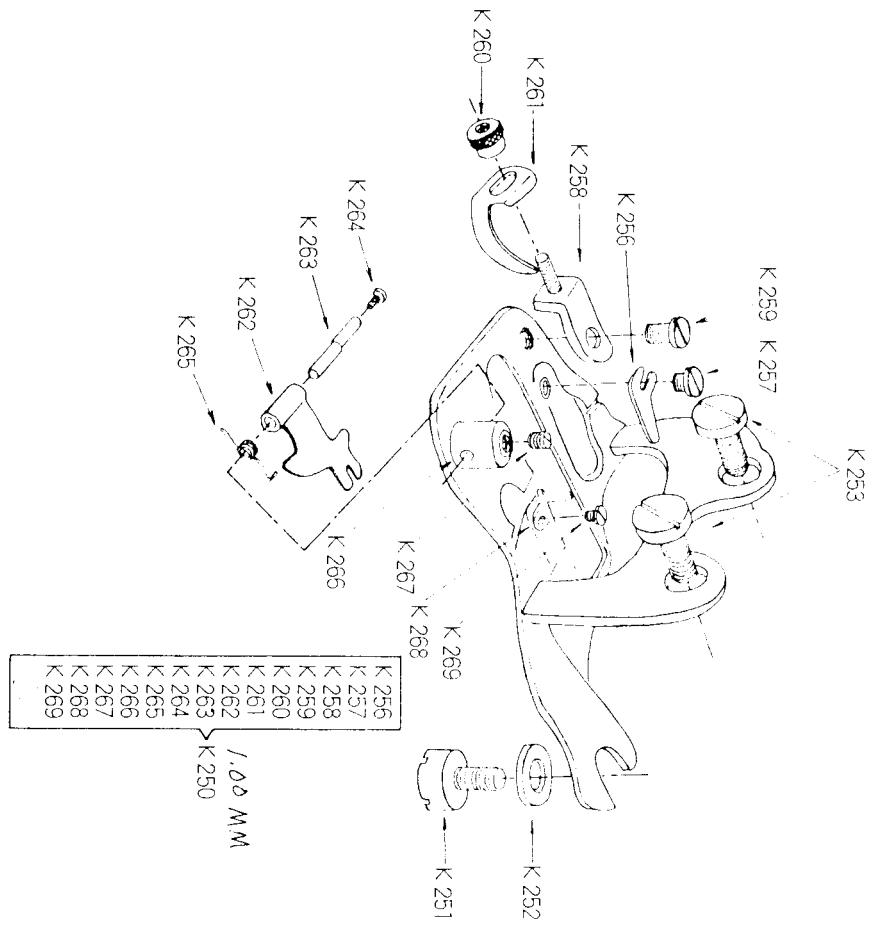
K178	Rib Shaft
K179	Rib Shaft crank
K180	Rib Shaft crank stud
K181	Rib Shaft crank clamp screw
K182	Rib Shaft collar (left)
K183	Rib Shaft collar (left) clamp screw
K184	Rib Shaft collar (right)
K185	Rib Shaft collar (right) clamp screw
K186	Feed platten (left)
K187	Feed platten (right)
K188	Feed platten screw (2)
K189	Feed platten screw nut (2)
K190	Feed platten (left) bracket
K191	Feed platten (right) bracket
K192	Feed platten bracket hinge stud
K193	Feed platten bracket hinge stud set screw
K194	Feed platten bracket spring (2)
K195	Feed platten bracket limit screw (2)
K196	Feed platten bracket limit screw lock nut (2)
K197	Cylinder end cover
K198	Cylinder end cover screw (3)
K199	Cylinder bed cover plate
K200	Cylinder bed cover plate screw
K201	Feed frame limit screw
K202	Feed frame limit screw lock nut
K203	Skip stitch compensating screw
K204	Skip stitch compensating screw lock nut

Note: The small cylinder machines (7P, 7SS) are the same as the standard cylinder machines (6P, 6SS and 6D) with the following exceptions.

K301	Feed platen (left) bracket
K302	Feed platen (right) bracket
K303	Feed platten bracket spring (2)
K304	Feed platten bracket spring hinge pin
K305	Feed platten bracket spring hinge pin set screw
K306	Feed platten bracket limit screw stop pin
K307	Feed platten bracket limit screw stop pin set screw
K308	Cylinder end cover plate
K309	Cylinder end cover screw (3)



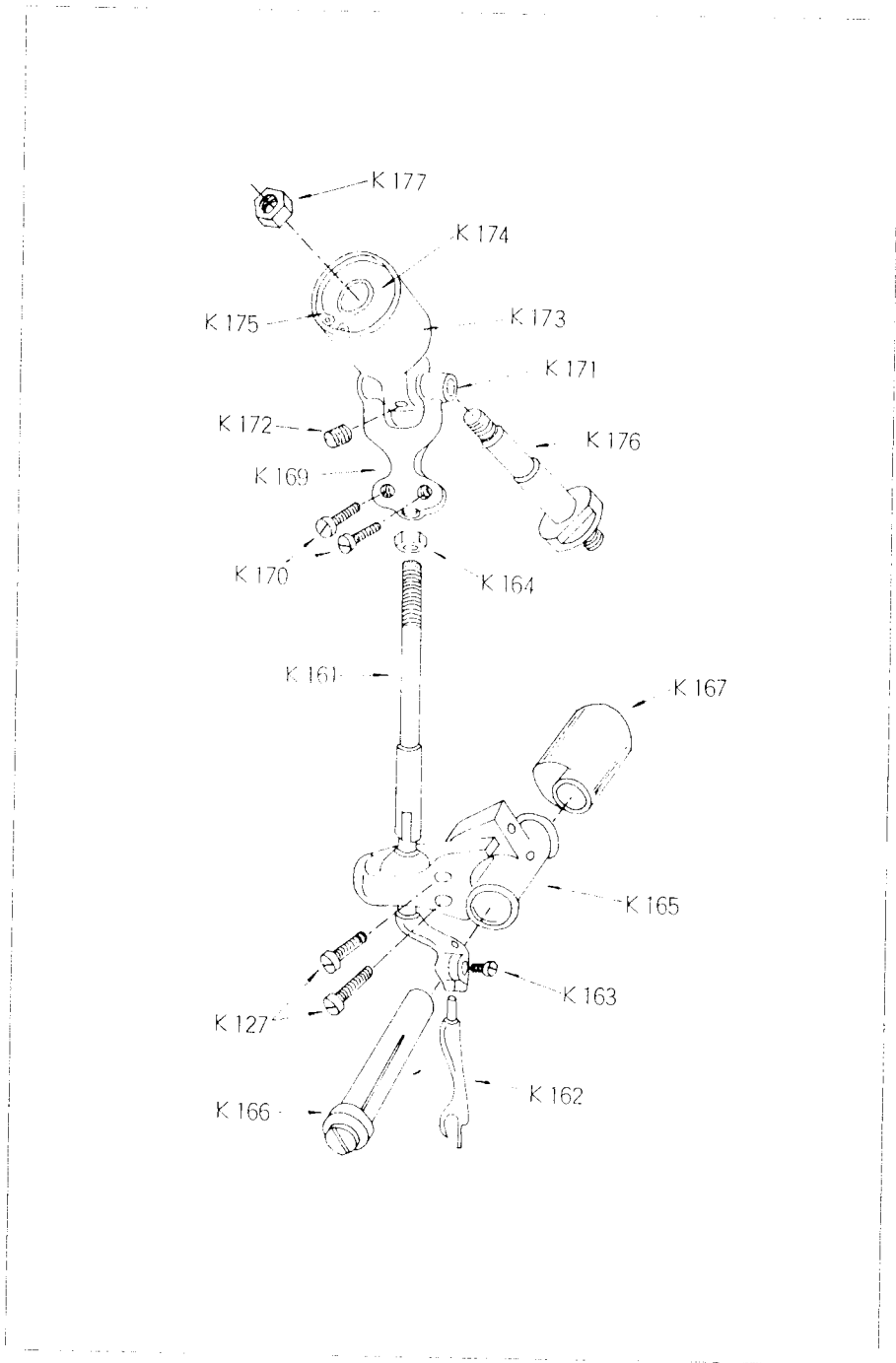
Parts No.	Description
K250	Presser foot assembly complete
K251	Presser foot clamping screw
K252	Presser foot clamping screw washer
K253	Presser foot bridge screw (2)
K256	Needle guide
K257	Needle guide screw
K258	Front cloth guide holder
K259	Front cloth guide holder screw
K260	Front cloth guide holder guide thumb nut
K261	Front cloth guide
K262	Presser foot shoe
K263	Presser foot shoe hinge pin
K264	Presser foot shoe hinge pin screw
K265	Presser foot shoe spring
K266	Presser foot shoe post
K267	Presser foot shoe post hinge pin set screw
K268	Chaining-off finger
K269	Chaining-off finger screw



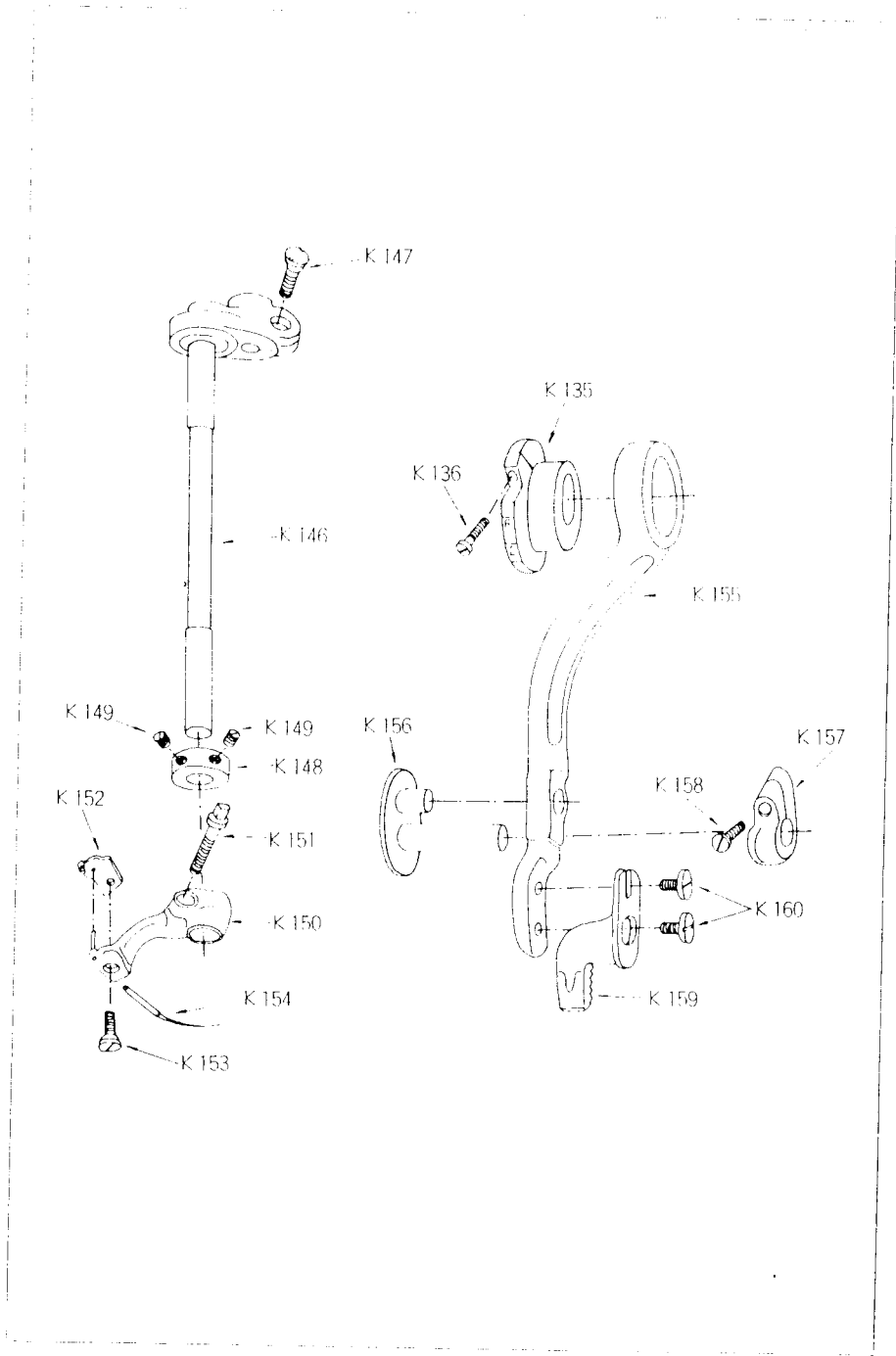
K 256
K 257
K 258
K 259
K 260
K 261
K 262
K 263
K 264
K 265
K 266
K 267
K 268
K 269



Parts No.	Description
K127	Looper carrier clamp screw (2)
K161	Looper rod
K162	Looper
K163	Looper clamp screw
K164	Looper rod lock nut
K165	Looper rod carrier
K166	Looper rod carrier stud
K167	Looper rod adjusting block (eccentric)
K169	Looper rod forked connection
K170	Looper rod forked connection screw (2)
K171	Looper rod forked connection hinge pin
K172	Looper rod forked connection hinge pin set screw
K173	Looper rod forked connection sleeve
K174	Looper rod forked connection sleeve bearing
K175	Looper rod forked connection sleeve bearing retaining ring
K176	Looper rod forked connection sleeve stud
K177	Looper rod forked connection sleeve stud nut

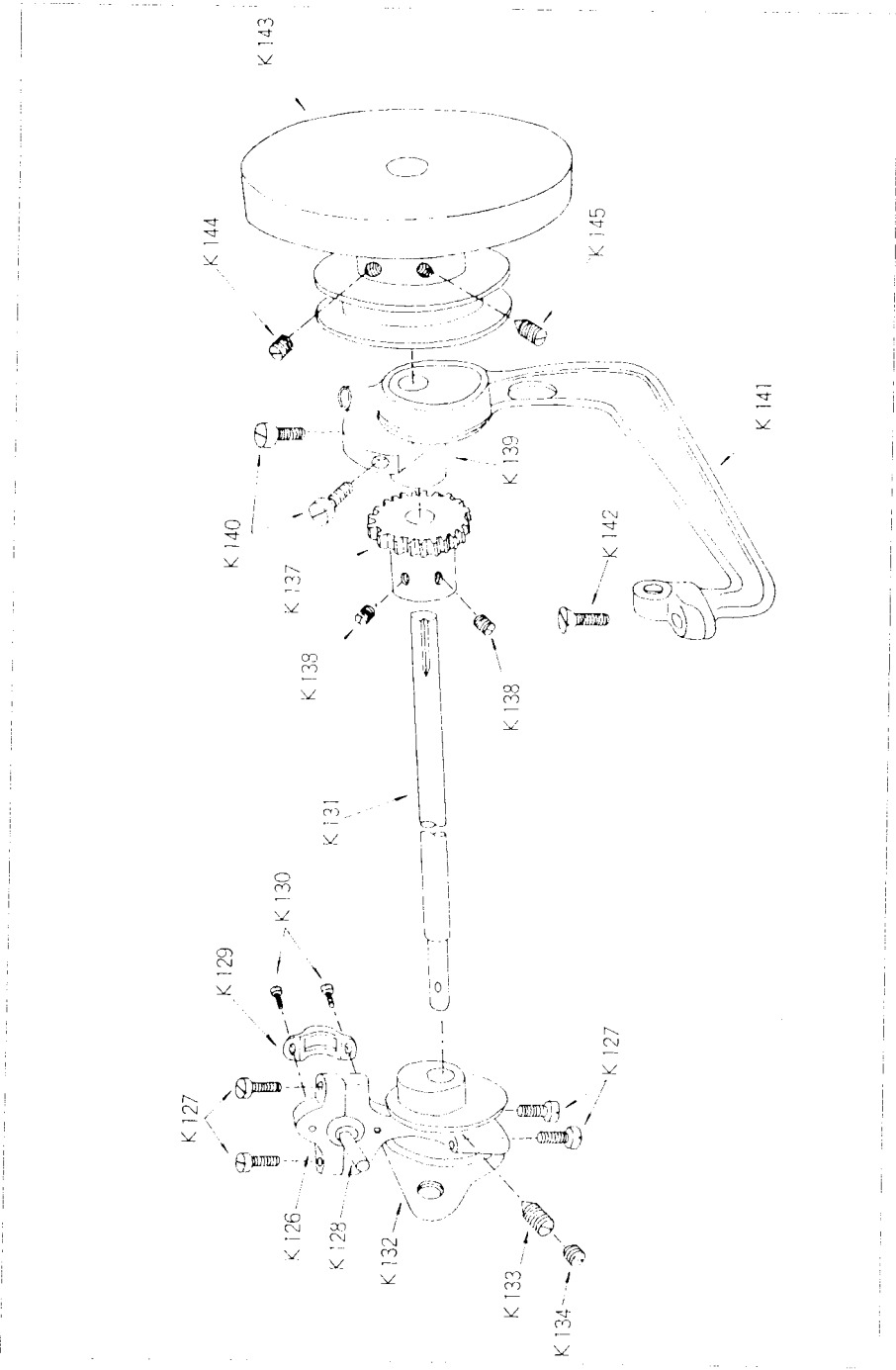


Parts No.	Description
K135	Stitch regulating collar
K136	Stitch regulating collar clamp screw
K146	Needle drive shaft
K147	Needle drive shaft clamp screw
K148	Needle drive shaft collar
K149	Needle drive shaft collar set screw (2)
K150	Needle lever
K151	Needle lever clamp screw
K152	Needle clamp
K153	Needle clamp screw
K154	Needle (cat. No. 3690)
K155	Feed lever
K156	Feed rocker assembly
K157	Feed rocker assembly collar
K158	Feed rocker assembly collar clamp screw
K159	Feed dog
K160	Feed dog screw (2)



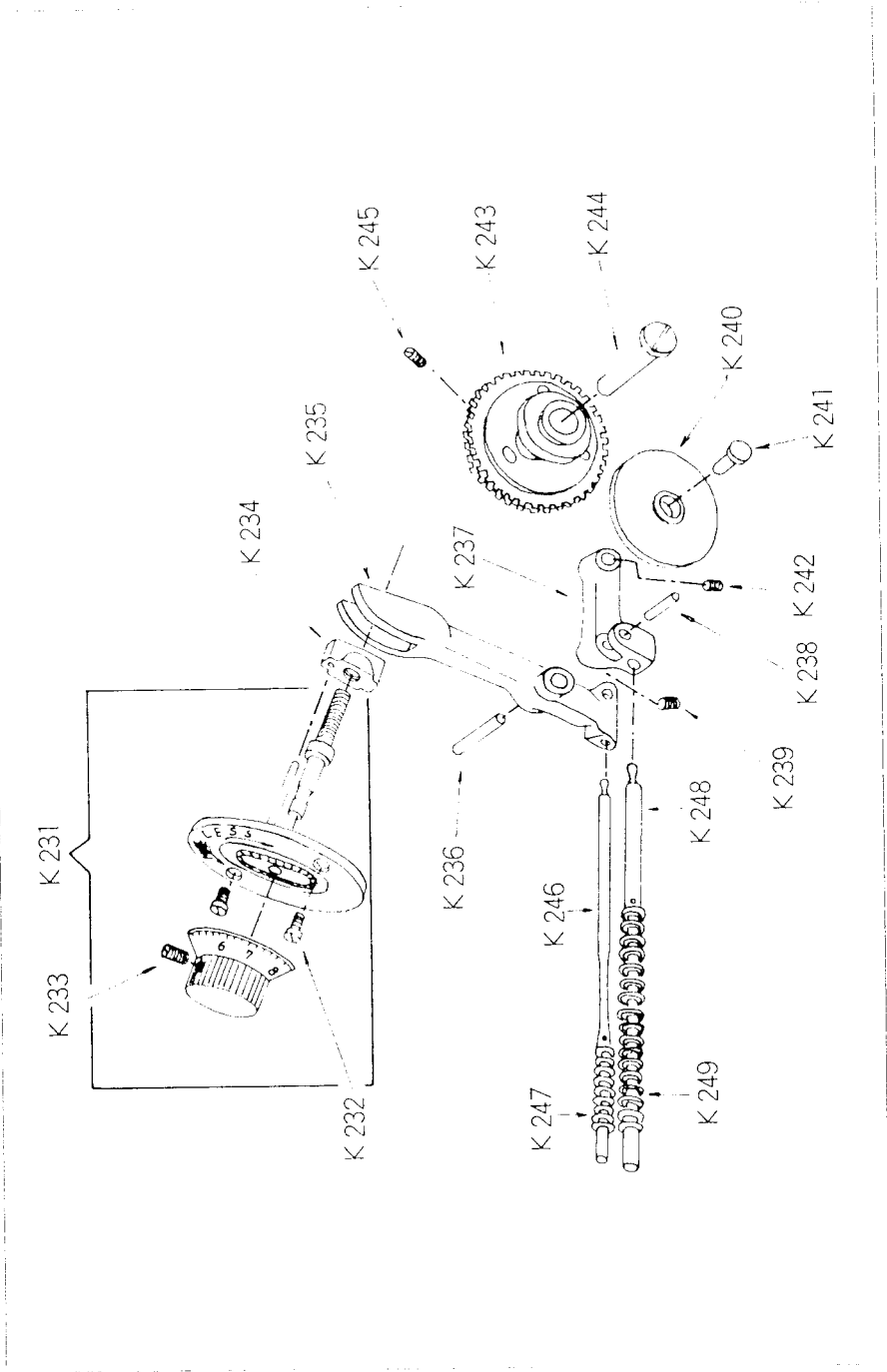
Parts No.	Description
K126	Needle shaft connection
K127	Needle shaft connection cap screw (4)
K128	Needle shaft driving eccentric ball stud
K129	Needle shaft driving eccentric ball stud guide
K130	Needle shaft driving eccentric ball stud guide screw (2)
K131	Arm shaft
K132	Needle and feed eccentric
K133	Needle and feed eccentric position screw
K134	Needle and feed eccentric set screw
*K137	Skip stitch driving gear
*K138	Skip stitch driving gear set screw (2)
K139	Rib connecting eccentric
K140	Rib connecting eccentric set screw (2)
K141	Rib connecting lever
K142	Rib connecting lever clamp screw
K143	Machine drive pulley
K144	Machine drive pulley set screw
K145	Machine drive pulley position screw

*Note :* \*marked parts are for Skip Stitch machines only. Non-Skip Stitch machines do not require these parts.



Parts No.	Description
K231	Penetration dial assembly
K232	Penetration dial assembly set screw
K233	Penetration dial assembly set screw lock screw
K234	Penetration dial block
*K235	Penetration regulating forked lever for Skip stitch (6SS, 6D and 7SS)
K236	Penetration regulating forked lever hinge pin
*K237	Penetration regulating roller lever
*K238	Penetration regulating roller lever hinge pin
*K239	Penetration regulating roller lever hinge pin screw
*K240	Penetration regulating roller (eccentric)
*K241	Penetration regulating roller pin stud
*K242	Penetration regulating pin stud set screw
*K243	Skip stitch eccentric gear
*K244	Skip stitch eccentric gear stud
*K245	Skip stitch eccentric gear stud set screw
K246	Push rod (1/4")
K247	Push rod (1/4") spring
*K248	Push rod (3/8")
*K249	Push rod (3/8") spring

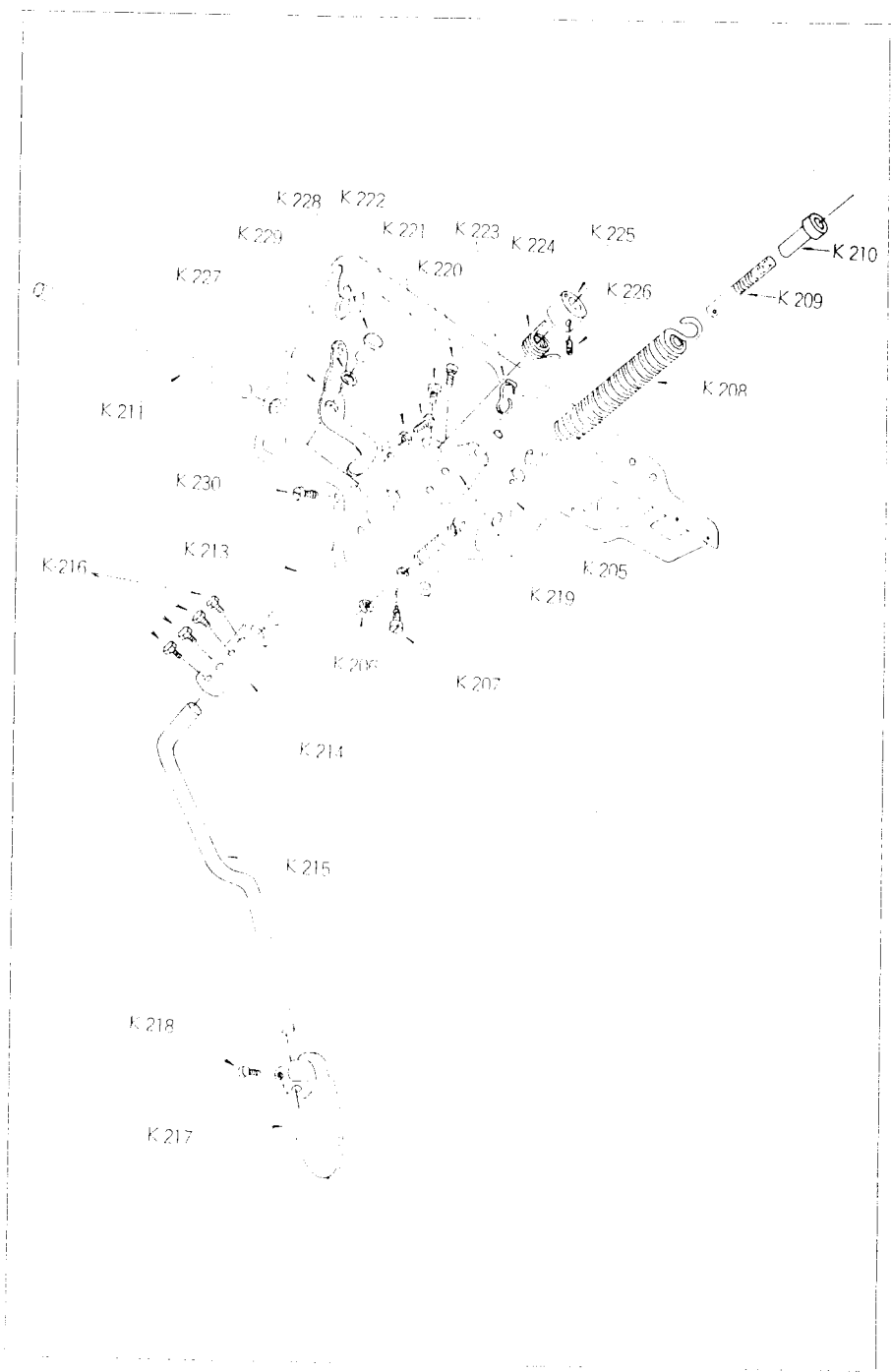
Note : \*marked parts are for Skip Stitch machines only.  
 Non-Skip Stitch machines do not require these parts.  
 Part No. K286, Penetration regulating forked lever, should be ordered in  
 place of part No. K235 for Non-Skip Stitch machines (Model 6P, 7P)





Parts No.	Description
K205	Feed frame main spring link
K206	Feed frame main spring link nut
K207	Feed frame main spring link screw
K208	Feed frame main spring
K209	Feed frame main spring stud
K210	Feed frame main spring stud adjusting nut
K211	Feed frame rocker shaft
K213	Knee lifter rock shaft
K214	Knee lifter rock shaft sleeve
K215	Knee lifter knee pad rod
K216	Knee lifter knee pad rod screw (4)
K217	Knee lifter knee pad
K218	Knee lifter knee pad screw
K219	Feed lifter crank
K220	Feed lifter crank screw (2)
K221	Feed lifter crank limit screw
K222	Feed lifter crank limit screw lock nut
K223	Feed lifter lifting hook
K224	Feed lifter rock shaft return spring
K225	Feed lifter rock shaft collar
K226	Feed lifter rock shaft collar screw
*K227	Skip regulating lever
*K228	Skip regulating lever stud
*K229	Skip regulating lever stud spring washer
K230	Skip regulating lever stud set screw

*Note :* \*marked parts are for Skip Stitch machines only. Non-Skip Stitch machines do not require these parts.



Parts No.	Description
K270	Swing-out cloth plate for 6P, 6SS and 6D
K271	Swing-out cloth plate bracket
K272	Swing-out cloth plate bracket screw (2)
K273	Swing-out cloth plate bracket screw lock washer (2)
K274	Swing-out cloth plate bracket screw washer (2)
K275	Swing-out cloth plate stop
K276	Swing-out cloth plate stop screw
K277	Swing-out cloth plate stop screw washer
K278	Swing-out cloth plate stop pin
K279	Swing-out cloth plate stop pin set screw
K280	Swing-out cloth plate hing pin
K281	Swing-out cloth plate hing pin retaining ring
K282	Swing-out cloth plate hing pin collar
K283	Swing-out cloth plate hing pin collar screw
K284	Swing-out cloth plate hing pin set screw
K285	Felt pad
K310	Swing-out cloth plate for 7P and 7SS

*Accessories*

K287	Machine setting screw complete
K288	Thread unwinder complete
K289	Knee pedal cover (rubber)
K290	Screw driver (small)
K291	Screw driver (medium)
K292	Screw driver (large)
K293	Oiler
K294	Needles (cat. No. 3690)

