

Singer

755U 342

756U 342

ILLUSTRATED PARTS LIST

SINGER®

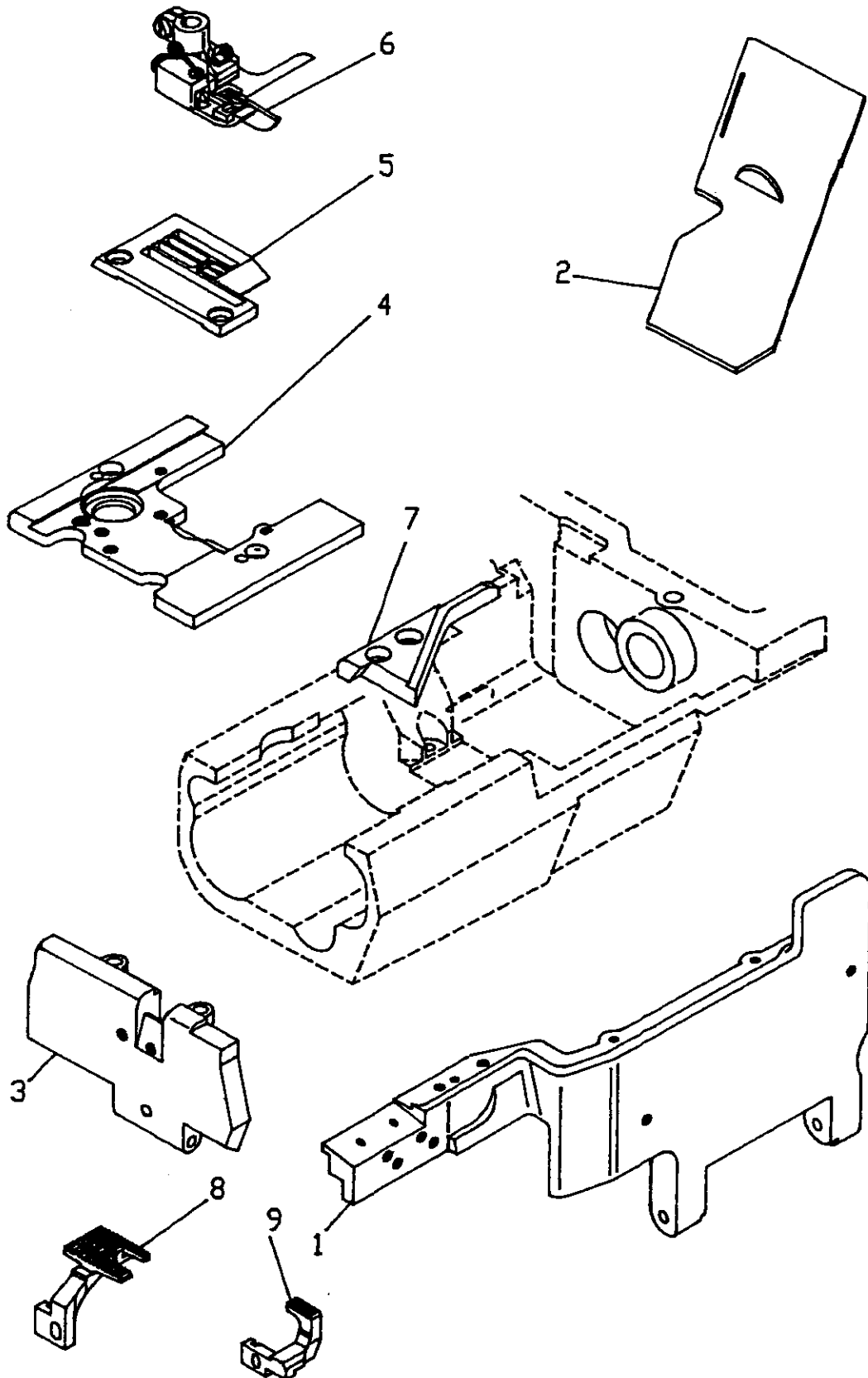
MACHINE

755U 342 (CYL. BED, BOTTOM COVER)
(3N, ATT. KNIT ELASTIC WAISTBAND)

756U 342 (CYL. BED, TOP + BOTTOM COVER)
(3N, ATT. KNIT ELASTIC WAISTBANDS)

WHICH DIFFER FROM 755U300 MACHINE
756U300

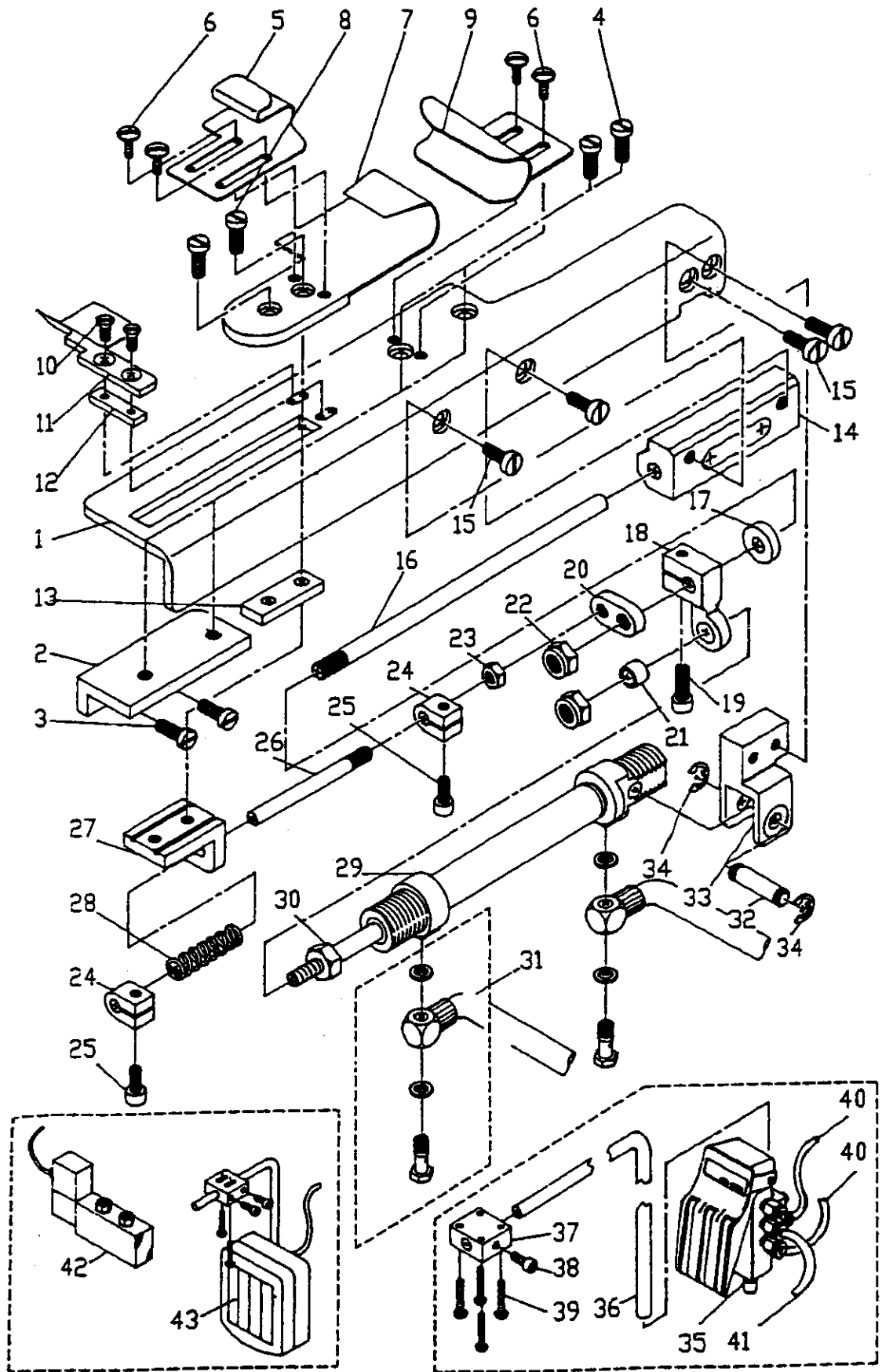
1. Ring of Knitted Elastic



Ring of Knitted Elastic

<u>Ref. No.</u>	<u>Part No.</u>	<u>Description</u>	<u>Q'ty</u>
1	VC420101C200	Front Cover -----	1
2	VC420102B700	Dust Cover -----	1
3	VC420103C200	Side Cover -----	1
4	VC420104E200	Needle Plate Seat -----	1
5	VTPC42562	Needle Plate (Needle Gauge : 5.6mm) -----	1
5	VTPC42642	Needle Plate (Needle Gauge : 6.4mm) -----	1
6	VPFC42561	Presser Foot (Needle Gauge : 5.6mm) -----	1
6	VPFC42641	Presser Foot (Needle Gauge : 6.4mm) -----	1
7	VC420107C200	Guide -----	1
8	VDFC42562	Differential Feed Dog -----	1
9	VFDC42562	Main Feed Dog (Needle Gauge : 5.6mm) -----	1
9	VFDC42642	Main Feed Dog (Needle Gauge : 6.4mm) -----	1

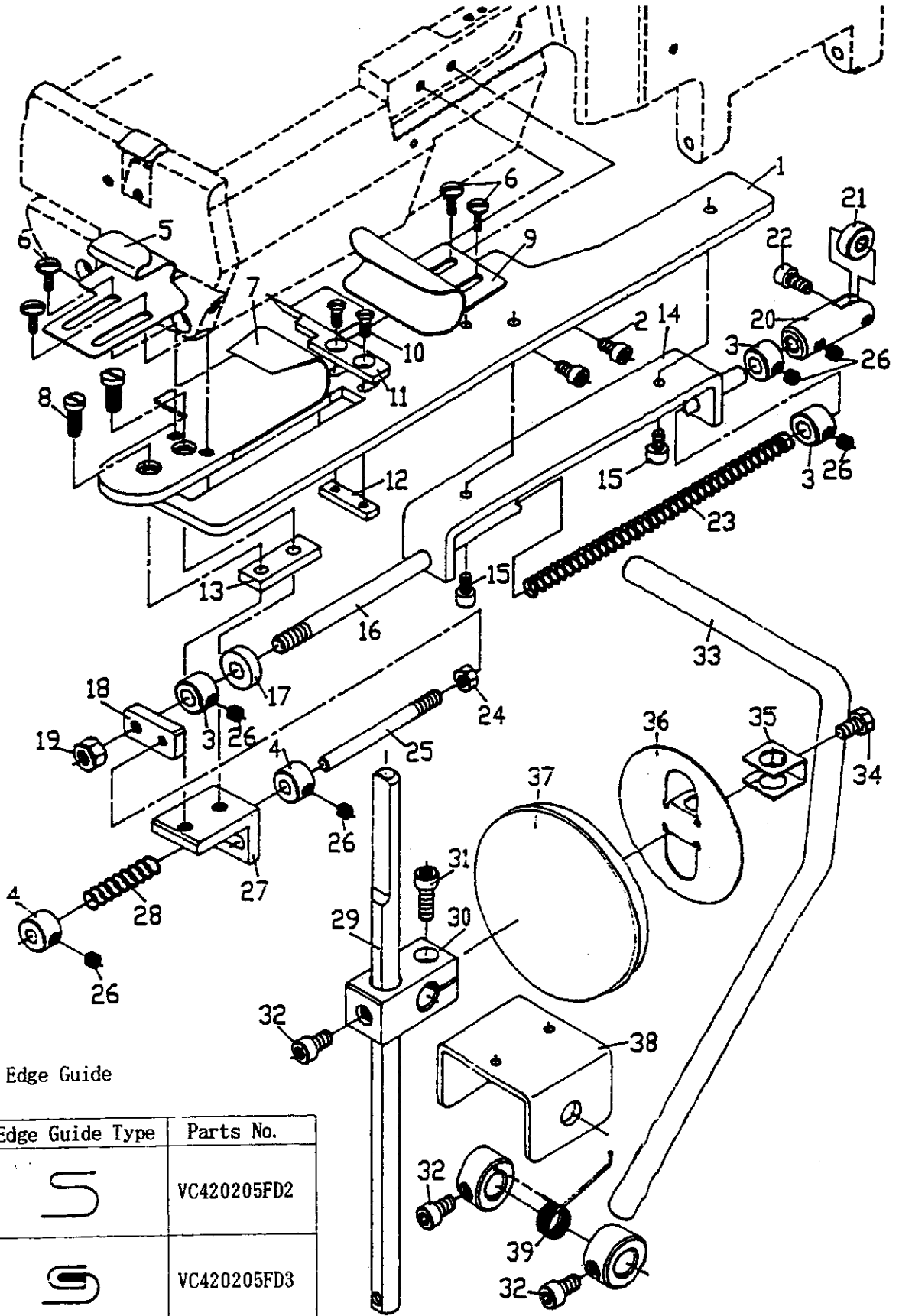
2. Folder Set (for 755U342-0/755U342-1/756U342-0/756U342-1)





Folder Set (for 755U342-0/755U342-1/756U342-0/756U342-1)

<u>Ref. No.</u>	<u>Part No.</u>	<u>Description</u>	<u>Q' ty</u>
1	VC420201B700	Folder Support -----	1
2	VC420202B400	Bracket -----	1
3	VMC04281407D	Screw -----	2
4	VSB44400708A	Screw -----	2
5	VC420205C700	Edge Guide -----	1
6	VSD36400410C	Screw -----	4
7	VC420207C700	Folder (left) -----	1
8	VSB44401207A	Screw -----	2
9	VC420209C700	Folder (right) -----	1
10	VMF85240907C	Screw -----	2
11	VC420211C700	Edge Guide -----	1
12	VC420212B400	Fixing Plate -----	1
13	VC420213B400	Fixing Plate -----	1
14	VC420214E200	Slide Guide -----	1
15	VSC44401208A	Screw -----	4
16	VC420216C300	Slide Bar -----	1
17	VC420217F600	Anti-shock Rubber -----	1
18	VC420218E200	Joint -----	1
19	VMM04281407A	Screw -----	2
20	VC420220B400	Joint -----	1
21	VC420221D300	Bushing -----	1
22	VMA06400510A	Nut -----	2
23	VMA05320804A	Nut -----	1
24	VC420224B400	Collar -----	2
25	VMM04281007A	Screw -----	2
26	VC420226A300	Bar -----	1
27	VC420227B400	Slider -----	1
28	VC420228A800	Spring -----	1
29	VC420229AC	Air Cylinder -----	1
30	VMA06400510A	Nut -----	1
31	VC420231TF	Air Tube Fitting -----	2
32	VC420232B300	Pin -----	1
33	VC420233B400	Joint -----	1
34	VC420234ER	E-ring -----	2
35	VC420235VA	Valve (for 755U342-1/756U342-1) -----	1
36	VC420236B700	Valve Holder (for 755U342-1/756U342-1) -----	1
37	VC420237C200	Bracket (for 755U342-1/756U342-1) -----	1
38	VMM06401510A	Screw (for 755U342-1/756U342-1) -----	1
39	VWK45003210B	Wood Screw (for 755U342-1/756U342-1) -----	4
40	VC420240AT	Air Tube (for 755U342-1/756U342-1) -----	2
41	VC420240AT	Air Tube (for 755U342-1/756U342-1) -----	1
42	VC420242VA	Valve (for 755U342-0/756U342-0) -----	1
43	VC420243LS	Limit Switch (for 755U342-0/756U342-0) -----	1

3. Folder Set (for 755U342-2/756U342-2)



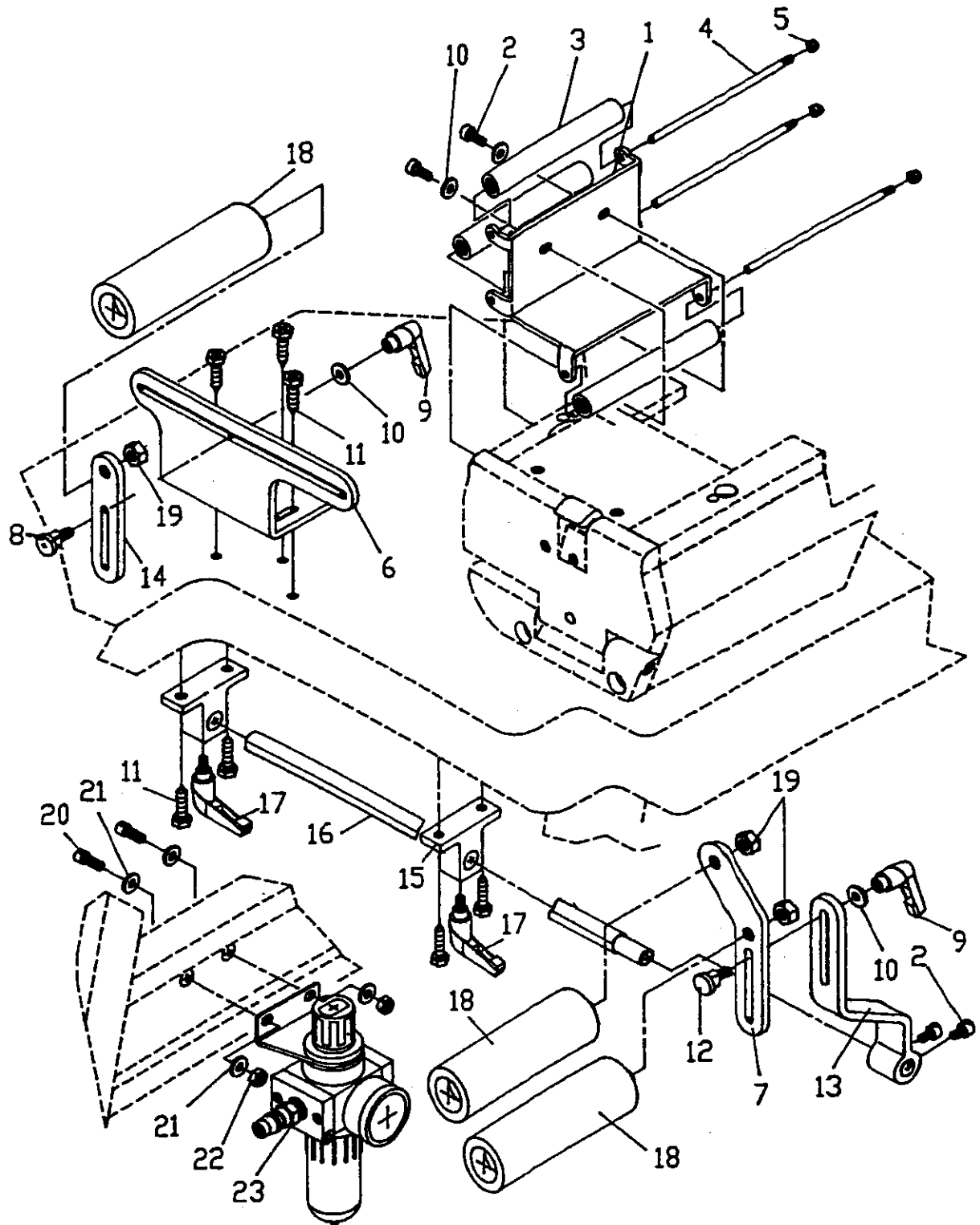
5. Edge Guide

Edge Guide Type	Parts No.
	VC420205FD2
	VC420205FD3

Folder Set (for 755U342-2/756U342-2)

<u>Ref. No.</u>	<u>Part No.</u>	<u>Description</u>	<u>Q' ty</u>
1	VC420401B700	Folder Support	1
2	VMM04281207A	Screw	2
3	VC420403C300	Stopper	3
4	VC420404C300	Stopper	2
5	-----	Edge Guide (See Left Page)	1
6	VSD36400410C	Screw	4
7	VC420407C700	Folder (left)	1
8	VS444401207A	Screw	2
9	VC420209C700	Folder (right)	1
10	VMF85240907C	Screw	2
11	VC420211C700	Edge Guide	1
12	VC420212B400	Fixing Plate	1
13	VC420213B400	Fixing Plate	1
14	VC420214E200	Slide Guide	1
15	VMM04281007A	Screw	2
16	VC420416C300	Slide Bar	1
17	VC420217F600	Anti-shock Rubber	1
18	VC420418E200	Joint	1
19	VMA06400510A	Nut	1
20	VC420420E400	Joint	1
21	VC420421BB	Roller	1
22	VMM04281207A	Screw	1
23	VC420423A800	Spring	1
24	VMA05320804A	Nut	1
25	VC420226A300	Bar	2
26	VSC44400400A	Screw	5
27	VC420427B400	Slider	1
28	VC420228A800	Spring	1
29	VC420429C300	Push Arm	1
30	VC420430B400	Joint	1
31	VMM06401210A	Screw	1
32	VMM06401010A	Screw	3
33	VC420433B700	Arm	1
34	VSK64181210A	Screw	1
35	VC420435B700	Clamp	1
36	VC420436B700	Support	1
37	VC420437A800	Knee Press	1
38	VC420438B700	Support	1
39	VC420439A800	Spring	1

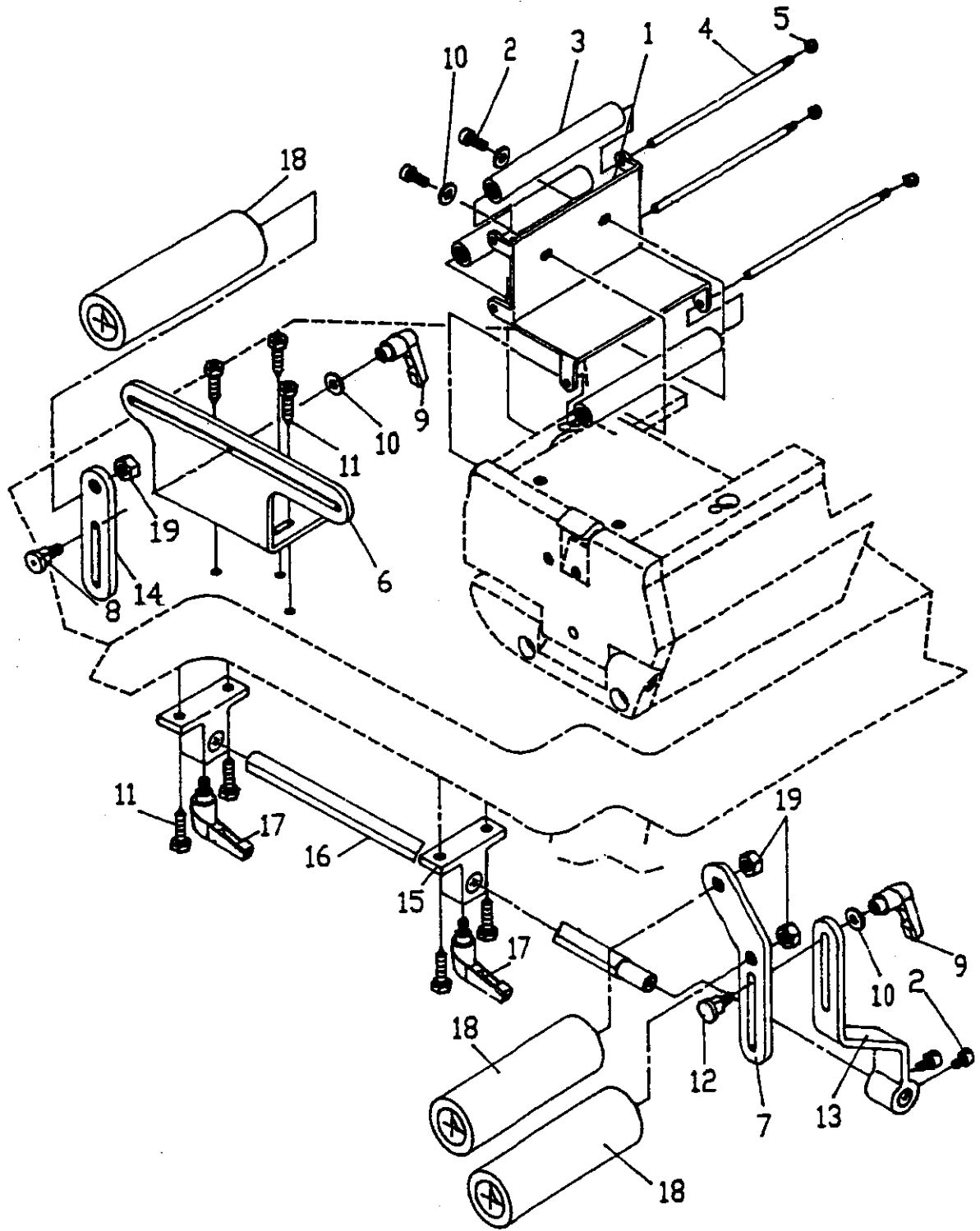
4. Roller Set (for 755U342-0/755U342-1/756U342-0/756U342-1)



Roller Set (for 755U342-0/755U342-1/756U342-0/756U342-1)

<u>Ref. No.</u>	<u>Part No.</u>	<u>Description</u>	<u>Q' ty</u>
1	VC420301B700	Roller Seat	1
2	VMM06401010A	Screw	2
3	VC420303L300	Roller	3
4	VC420304C300	Roller Shift	3
5	VMA04280705A	Nut	3
6	VC420306B700	Roller Seat	1
7	VC420307B700	Roller Holder Arm	1
8	VC420308C300	Stud	1
9	VC420309C200	Lock Lever	2
10	VC420310D300	Washer	4
11	VWK60002510C	Wood Screw	7
12	VC420312C300	Stud	1
13	VC420313B700	Roller Holder Arm	1
14	VC420314B700	Roller Holder Arm	1
15	VC420315B400	Bracket	2
16	VC420316C300	Holder Bar	1
17	VC420317C200	Lock Lever	2
18	VC420318L300	Roller	3
19	VMA10401407A	Nut	3
20	VMM06401510A	Screw	2
21	VC000910PW	Washer	4
22	VMA06400805A	Nut	2
23	VC420324RL	Regulator	1

5. Roller Set (for 755U342-2/756U342-2)



Roller Set (for 755U342-2/756U342-2)

<u>Ref. No.</u>	<u>Part No.</u>	<u>Description</u>	<u>Q' ty</u>
1	VC420301B700	Roller Seat -----	1
2	VMM06401010A	Screw -----	2
3	VC420303L300	Roller -----	3
4	VC420304C300	Roller Shift -----	3
5	VMA04280705A	Nut -----	3
6	VC420306B700	Roller Seat -----	1
7	VC420307B700	Roller Holder Arm -----	1
8	VC420308C300	Stud -----	1
9	VC420309C200	Lock Lever -----	2
10	VC420310D300	Washer -----	4
11	VWK60002510C	Wood Screw -----	7
12	VC420312C300	Stud -----	1
13	VC420313B700	Roller Holder Arm -----	1
14	VC420314B700	Roller Holder Arm -----	1
15	VC420315B400	Bracket -----	2
16	VC420316C300	Holder Bar -----	1
17	VC420317C200	Lock Lever -----	2
18	VC420318L300	Roller -----	3
19	VMA10401407A	Nut -----	3