

**Illustrated
Parts List**

SINGER
INDUSTRIAL PRODUCTS

**PORTABLE
BLINDSTITCH MACHINE**

8

CLASS

ORDERING INSTRUCTIONS

All orders for parts and needles should specify the Machine Model number. The letter "K" should also be added in front of the part number being ordered.

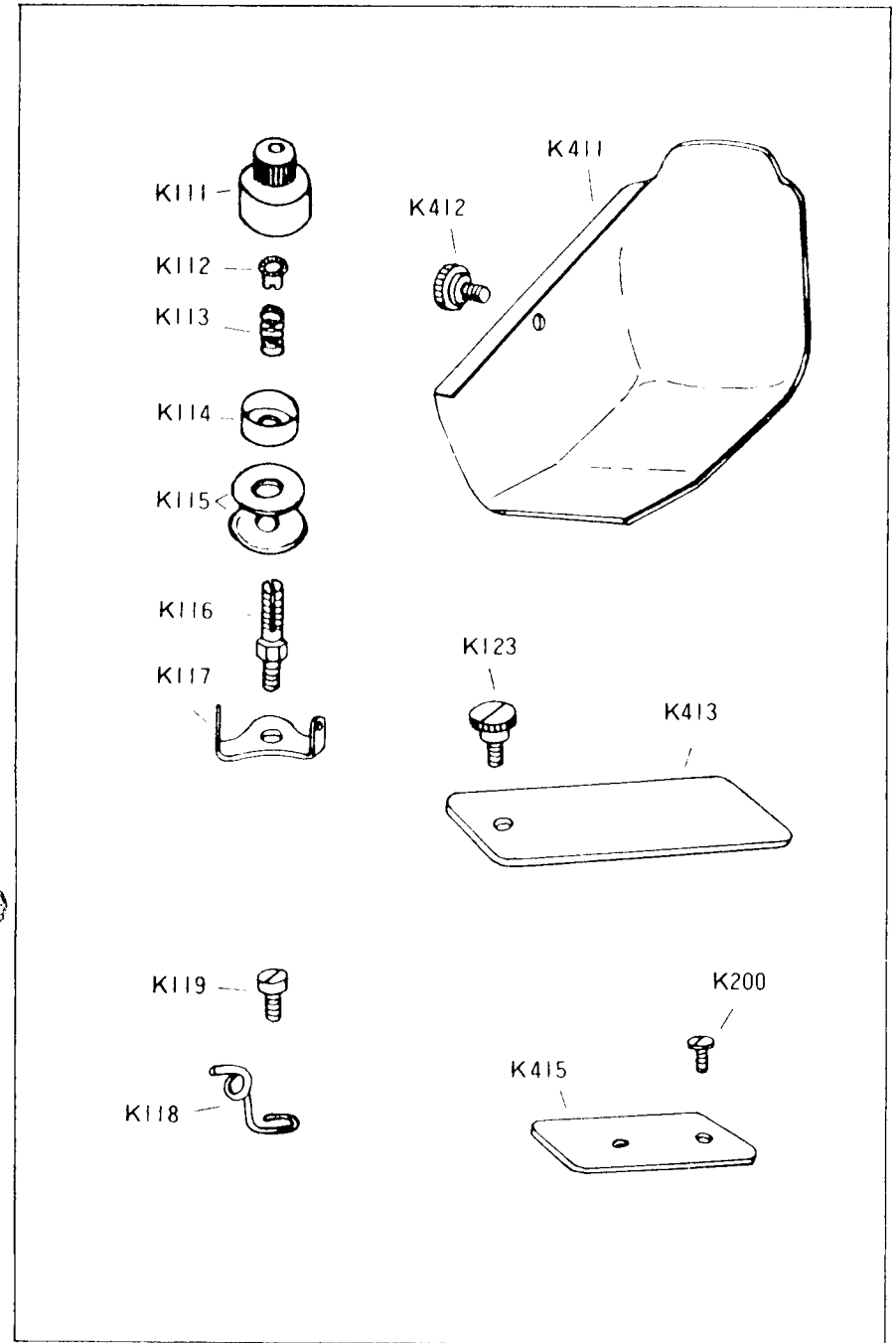
For example :

For Machine Model 8p

Quantity
1

Part No.
K500

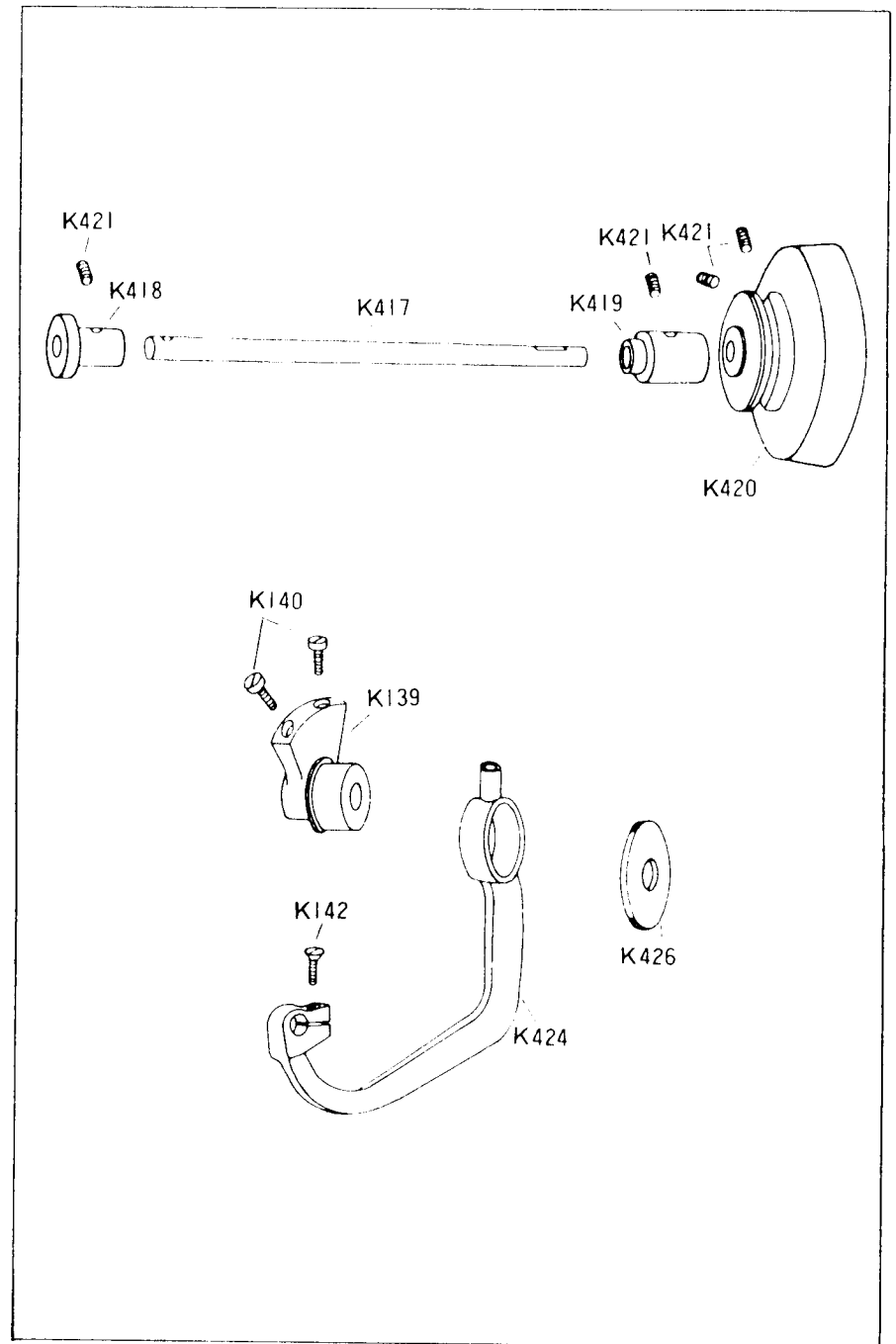
Parts No.	Description
K111	Thread tension nut
K112	Thread tension spring bushing
K113	Thread tension spring
K114	Thread tension spring cover
K115	Thread tension disc (2)
K116	Thread tension stud
K117	Thread tension thread guide
K118	Thread guide (front)
K119	Thread guide (front) screw
K411	Arm side cover
K412	Arm side cover thumb screw
K413	Arm top cover
K123	Arm top cover screw
K415	Cylinder bed cover plate
K200	Cylinder bed cover plate screw



Parts No.

Description

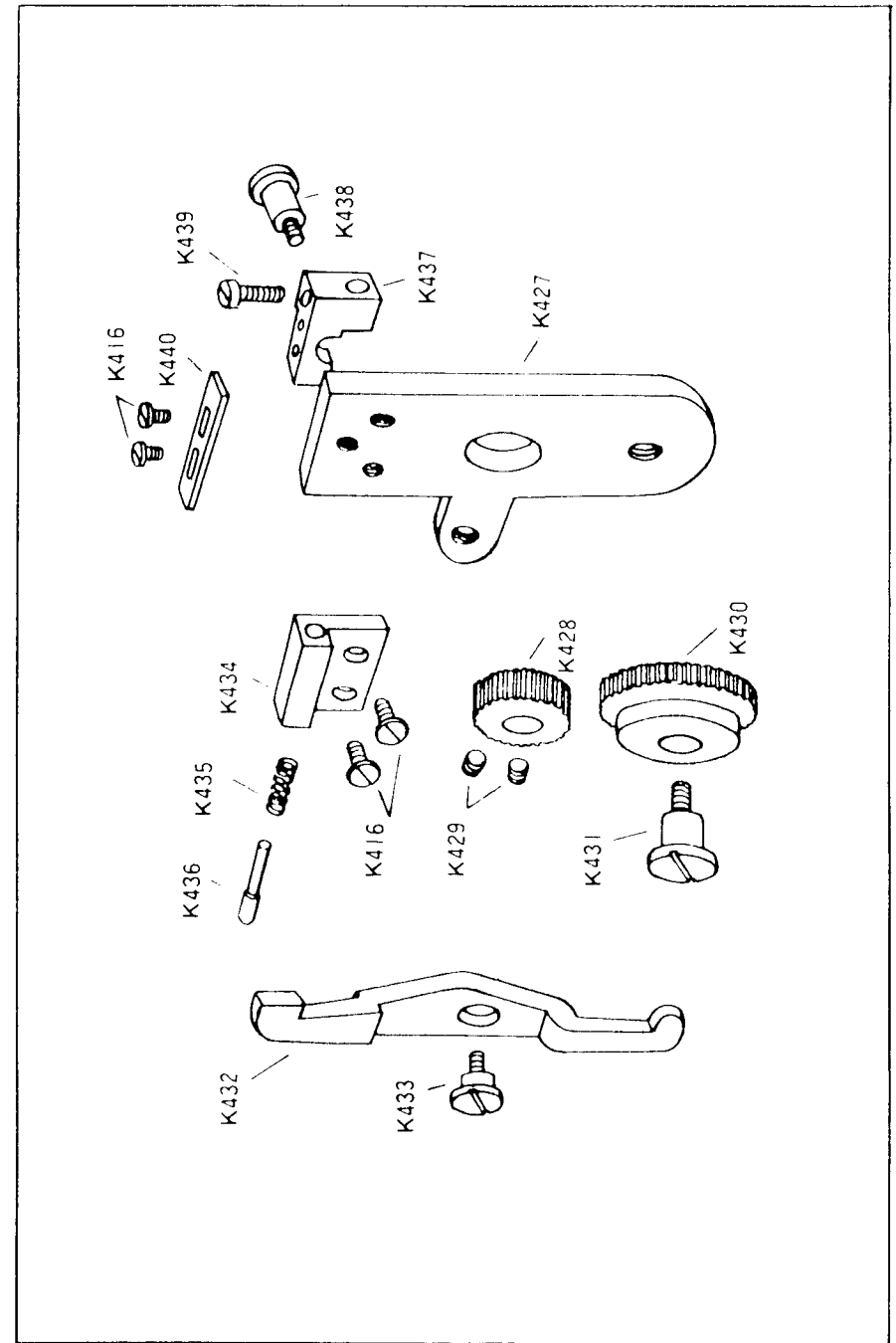
K417	Arm shaft
K418	Arm shaft (front) bushing
K421	Arm shaft (front) bushing set screw
K419	Arm shaft (rear) bushing
K421	Arm shaft (rear) bushing set screw
K420	Hand wheel (pulley)
K421	Hand wheel set screw
K139	Rib connecting eccentric
K140	Rib connecting eccentric set screw
K424	Rib connecting lever
K142	Rib connecting lever clamp screw
K426	Rib connecting lever washer



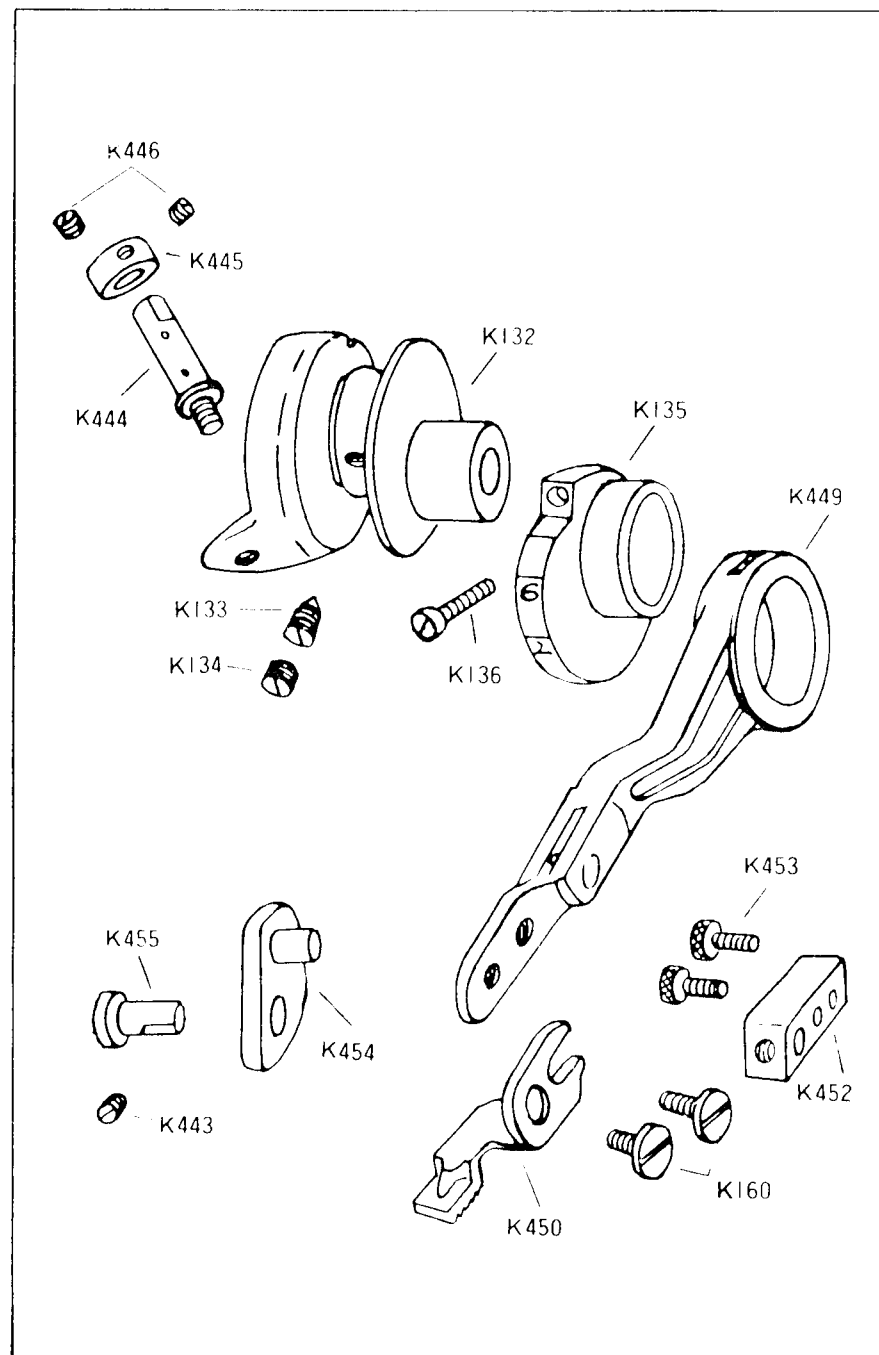
Parts No.

Description

K427	Gear bracket
K428	Skip stitch driving gear
K429	Skip stitch driving gear screw
K430	Skip eccentric gear
K431	Skip eccentric gear hinge screw
K432	Skip lever
K433	Skip lever hinge screw
K434	Skip block
K416	Skip block screw
K435	Skip stud spring
K436	Skip stud
K437	Penetration regulator dial shoe
K438	Regulator dial shoe hinge screw
K439	Regulator dial shoe screw
K440	Regulator dial shoe plate
K416	Regulator dial shoe plate screw



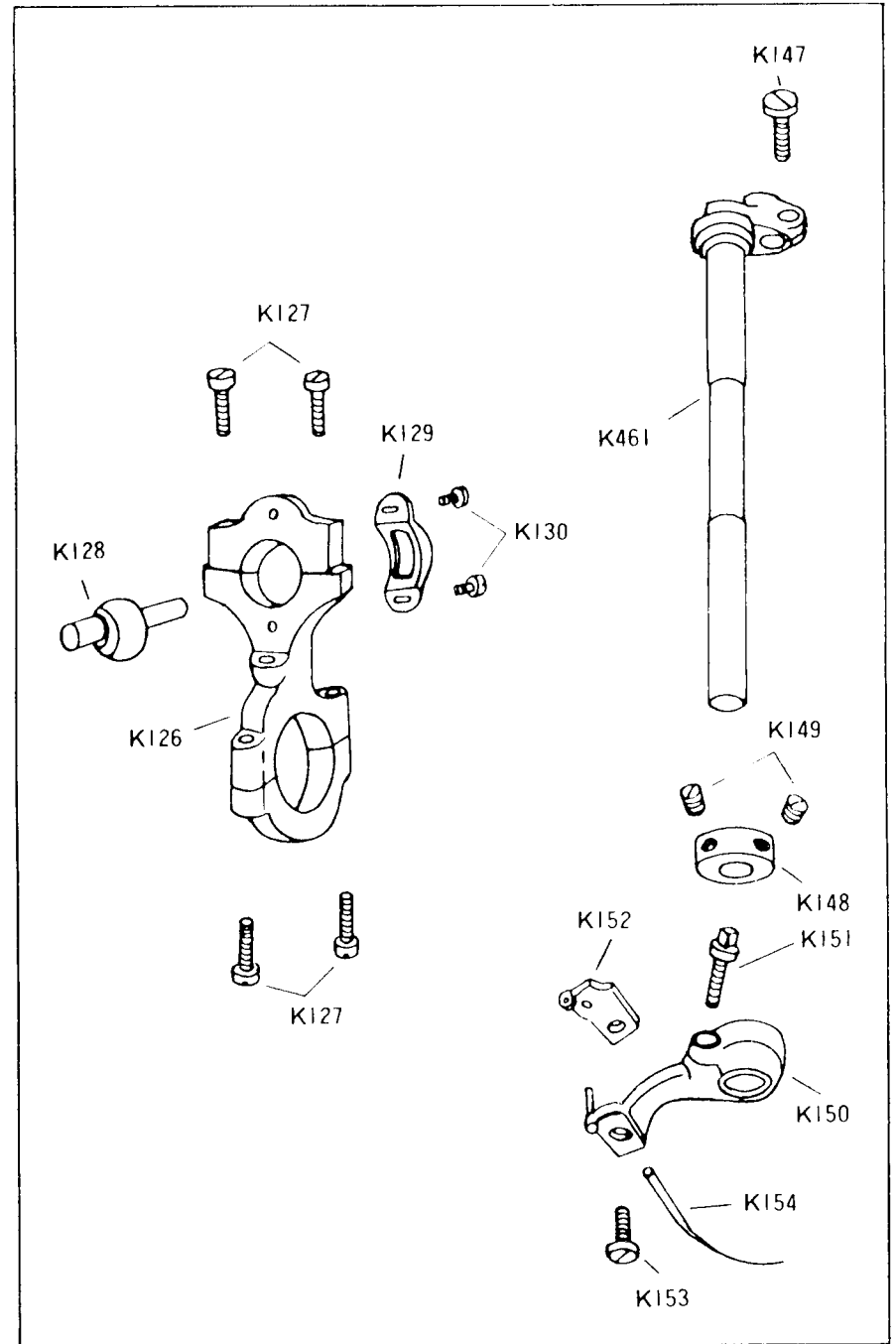
Parts No.	Description
K132	Needle and feed eccentric
K133	Needle and feed eccentric position screw
K134	Needle and feed eccentric lock screw
K444	Looper rod driving stud
K445	Looper rod driving stud collar
K446	Looper rod driving stud collar set screw
K135	Stitch regulating collar
K136	Stitch regulating collar clamp screw
K449	Feed lever
K450	Feed dog
K160	Feed dog screw
K452	Feed dog block
K453	Feed dog block screw
K454	Rocker pin assembly
K455	Rocker pin
K443	Rocker pin set screw



Parts No.

Description

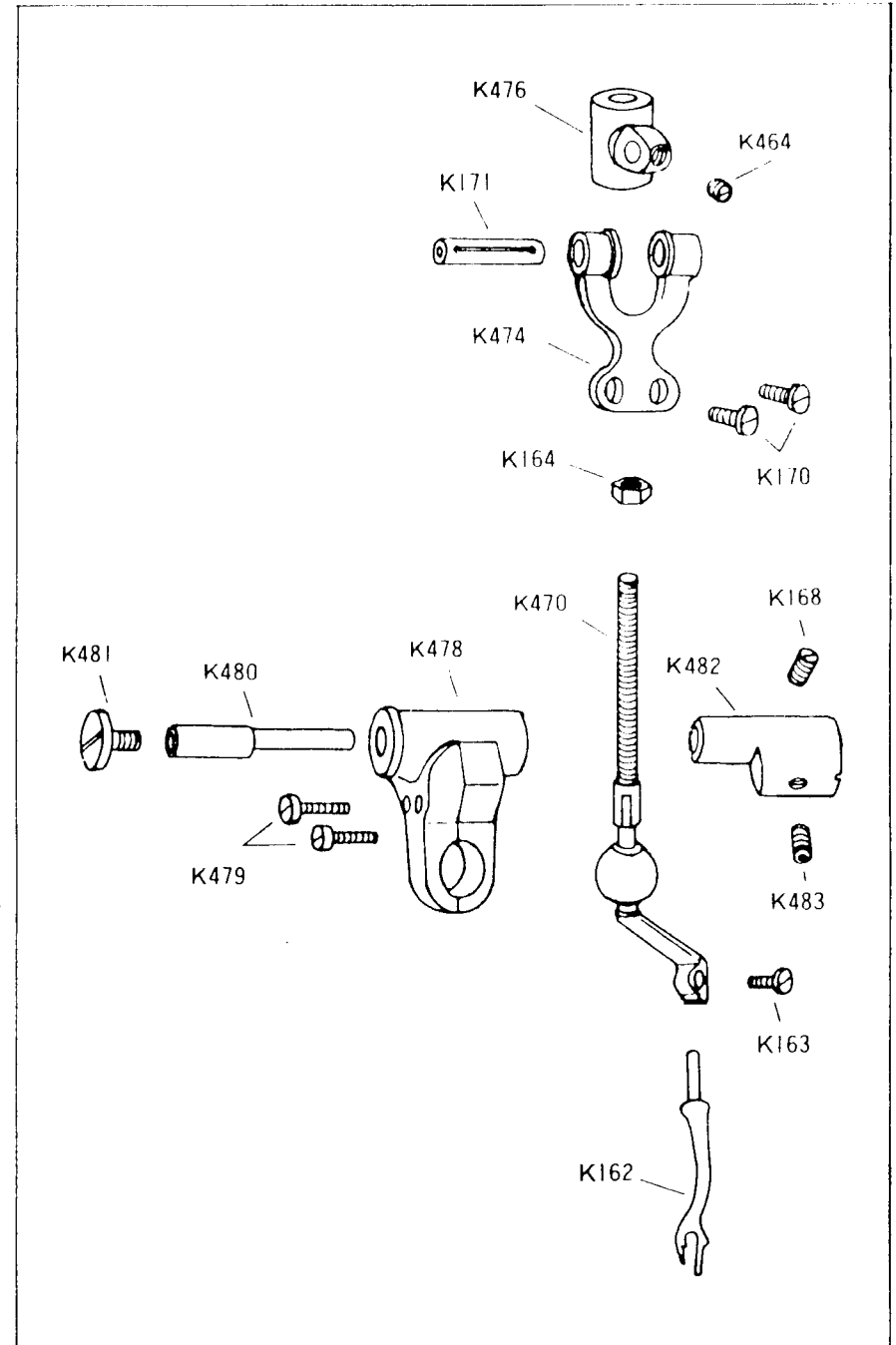
K126	Needle shaft connection
K127	Needle shaft connection cap screw
K128	Needle shaft driving eccentric ball stud
K129	Needle shaft driving eccentric ball stud guide
K130	Needle shaft driving eccentric ball stud guide screw
K461	Needle drive shaft
K147	Eccentric ball stud clamping screw
K148	Needle drive shaft collar
K149	Needle drive shaft collar set screw
K150	Needle lever
K151	Needle lever clamp screw
K154	Needle (cat. No. 3690)
K152	Needle clamp
K153	Needle clamp screw



Parts No.

Description

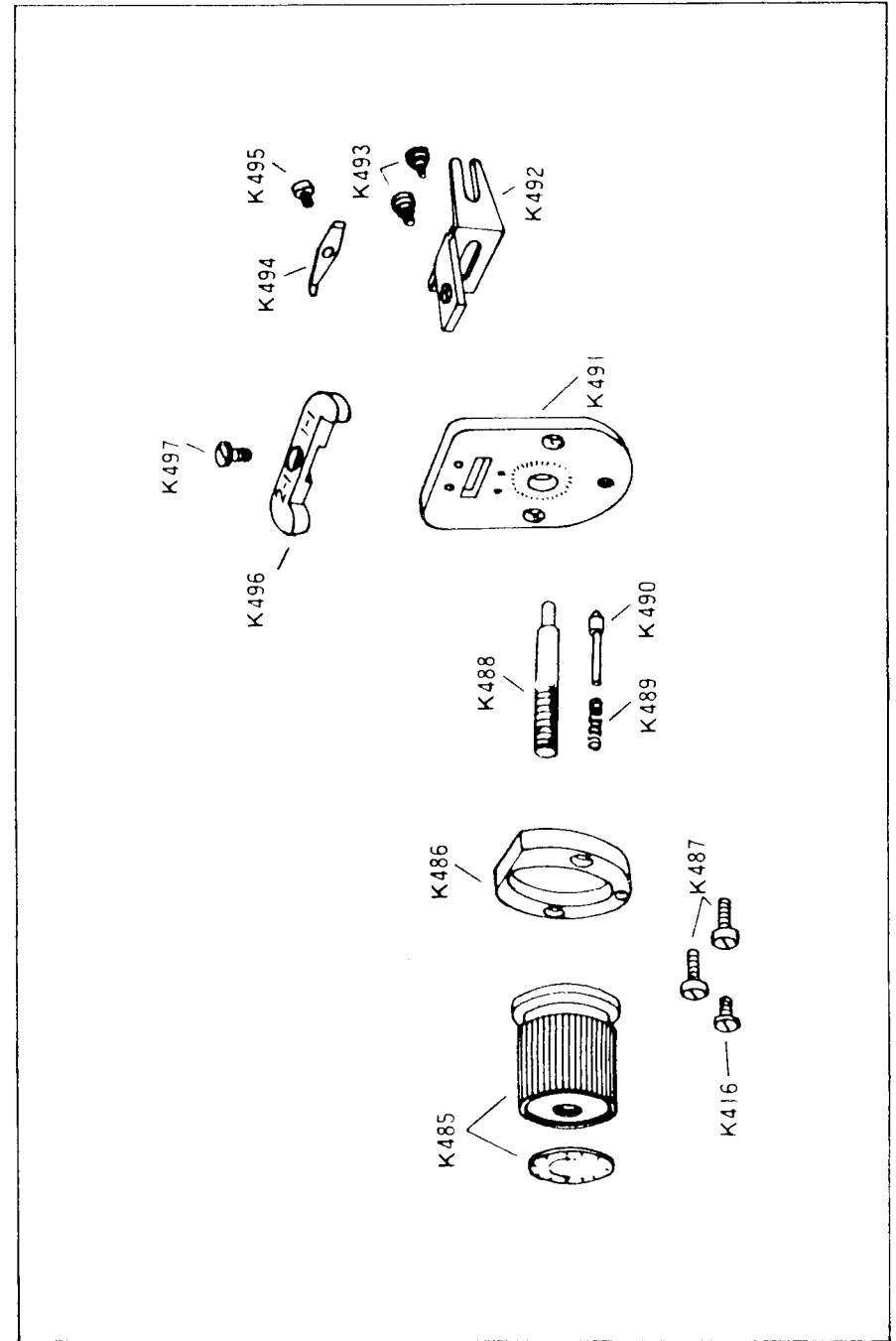
K162	Looper
K163	Looper clamp screw
K470	Looper rod
K164	Looper rod lock nut
K474	Looper rod forked connection
K170	Looper rod forked connection screw
K476	Looper rod forked connection sleeve
K171	Looper rod forked connection hinge pin
K464	Looper rod forked connection hinge pin set screw
K478	Looper rod carrier
K479	Looper rod carrier clamp screw
K480	Looper rod carrier hinge stud
K481	Looper rod carrier hinge stud cap screw
K482	Looper rod adjusting block (eccentric)
K483	Looper rod carrier hinge stud set screw
K168	Looper rod adjusting block set screw



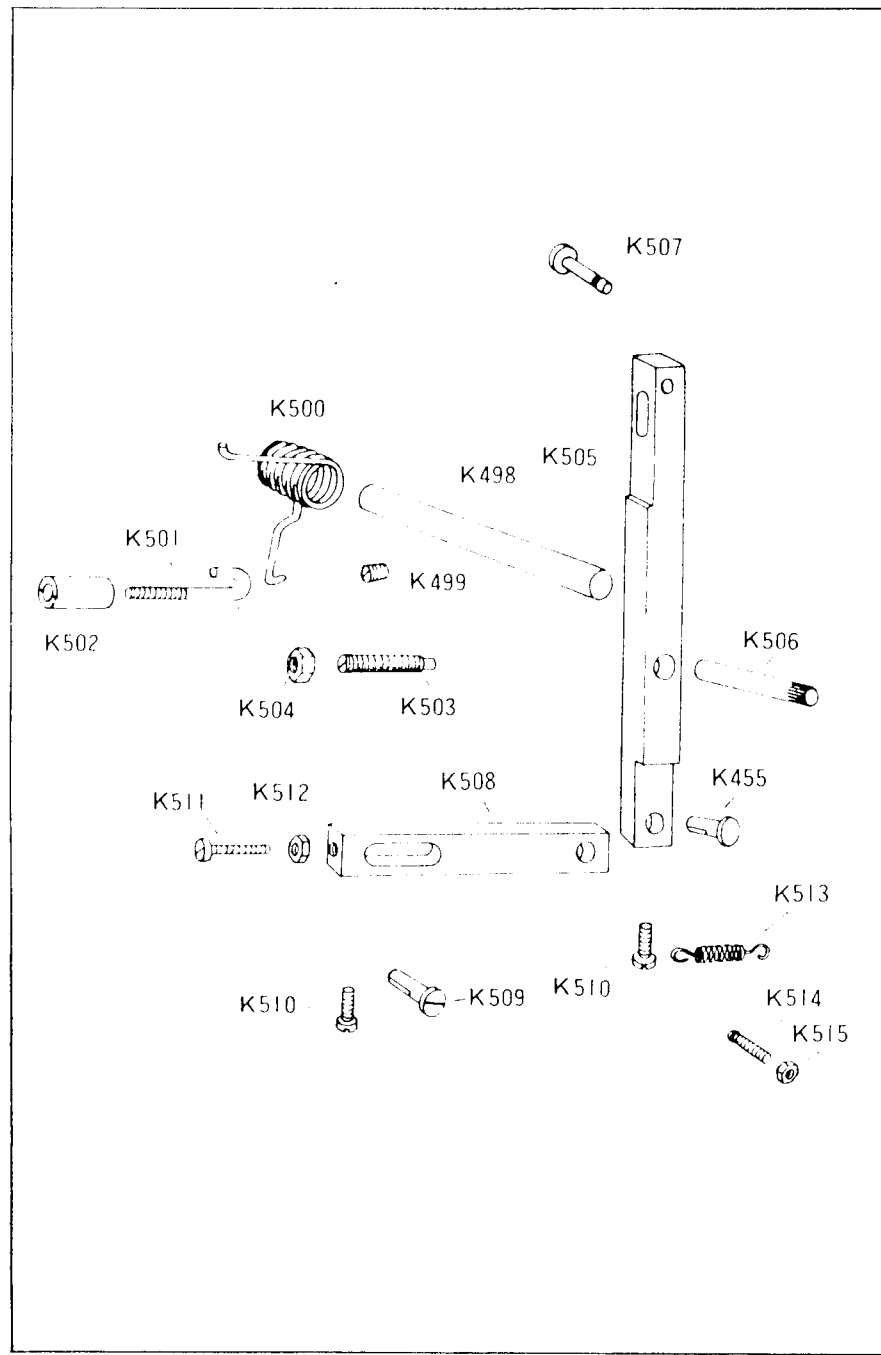
Parts No.

Description

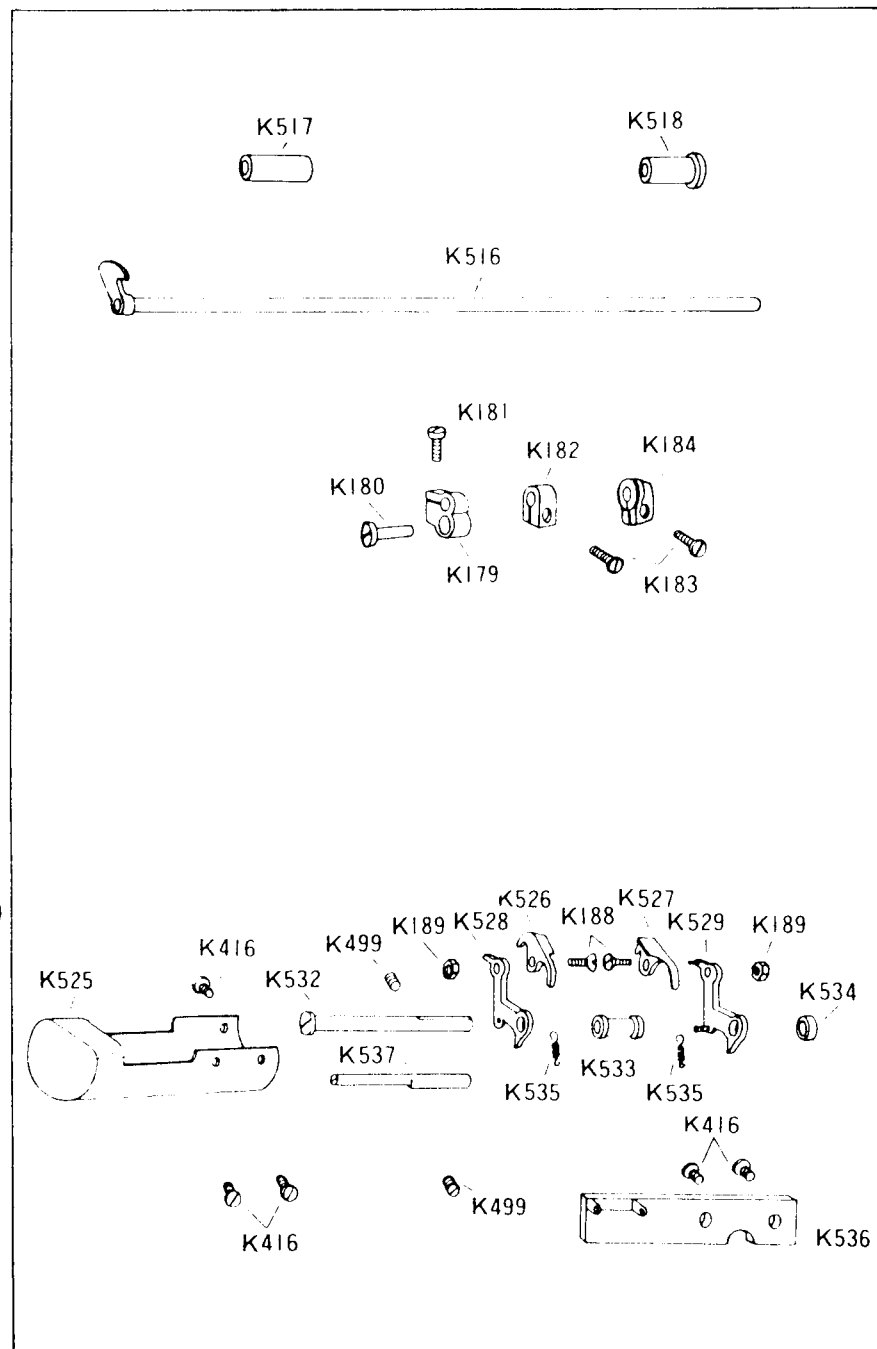
K485	Penetration dial
K486	Penetration dial retainer ring
K487	Penetration dial retainer ring screw
K416	Penetration dial retainer ring set screw
K488	Penetration dial stud
K489	Penetration dial spring
K490	Penetration dial ratchet pin
K491	Penetration dial plate
K492	Skip stitch forked joint
K493	Skip stitch forked joint screw
K494	Skip stitch ratch plate
K495	Skip stitch ratch plate screw
K496	Skip stitch regulating lever
K497	Skip stitch regulating lever screw



Parts No.	Description
K498	Feed frame rocker shaft
K499	Feed frame shaft set screw
K500	Main spring
K501	Main spring hook
K502	Main spring adjusting nut
K503	Feed frame limit screw
K504	Feed frame limit screw lock nut
K505	Penetration adjusting block (vertical)
K506	Penetration adjusting block pin
K507	Skip stitch forked joint pin
K508	Penetration adjusting block (horizontal)
K509	Penetration adjusting block pin (long)
K455	Penetration adjusting block pin (short)
K510	Penetration adjusting block pin set screw
K511	Penetration adjusting screw
K512	Penetration adjusting screw lock nut
K513	Penetration adjusting block spring
K514	Penetration adjusting block spring screw
K515	Penetration adjusting block spring screw nut



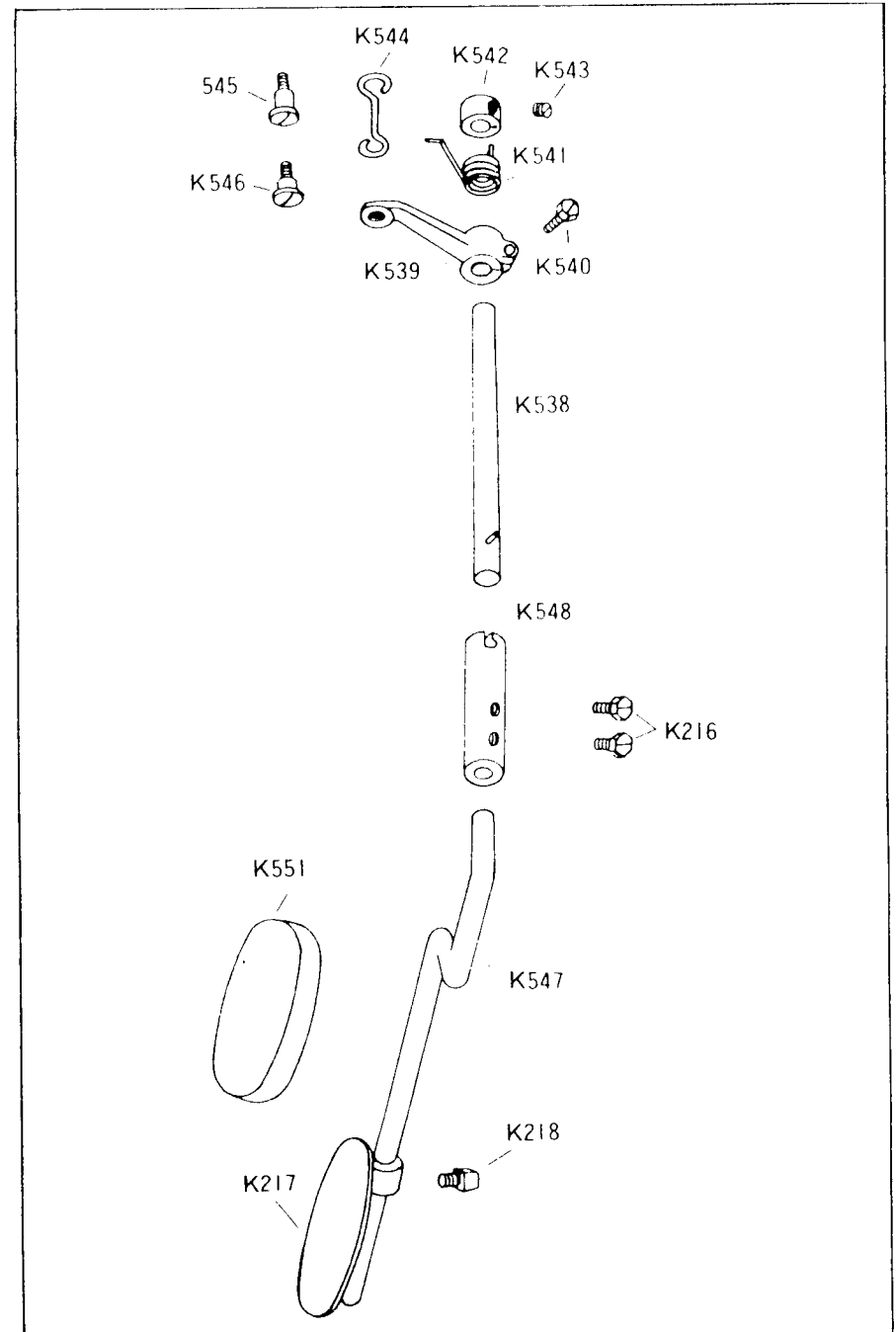
Parts No.	Description
K516	Rib shaft
K517	Rib shaft bushing (left)
K518	Rib shaft bushing (right)
K179	Rib shaft crank
K180	Rib shaft crank stud
K181	Rib shaft crank clamp screw
K182	Rib shaft collar (left)
K184	Rib shaft collar (right)
K183	Rib shaft collar clamping screw
K525	Cylinder cover
K416	Cylinder cover screw
K526	Feed platten (left)
K527	Feed platten (right)
K528	Feed platten bracket (left)
K529	Feed platten bracket (right)
K188	Feed platten screw
K189	Feed platten screw nut
K532	Feed platten bracket hinge stud
K499	Feed platten bracket hinge stud set screw
K533	Feed platten bracket collar
K534	Feed platten bracket spacer
K535	Feed platten bracket spring
K536	Feed platten bracket spring block
K416	Feed platten bracket spring block screw
K537	Feed platten adjusting pin
K499	Feed platten adjusting pin set screw



Parts No.

Description

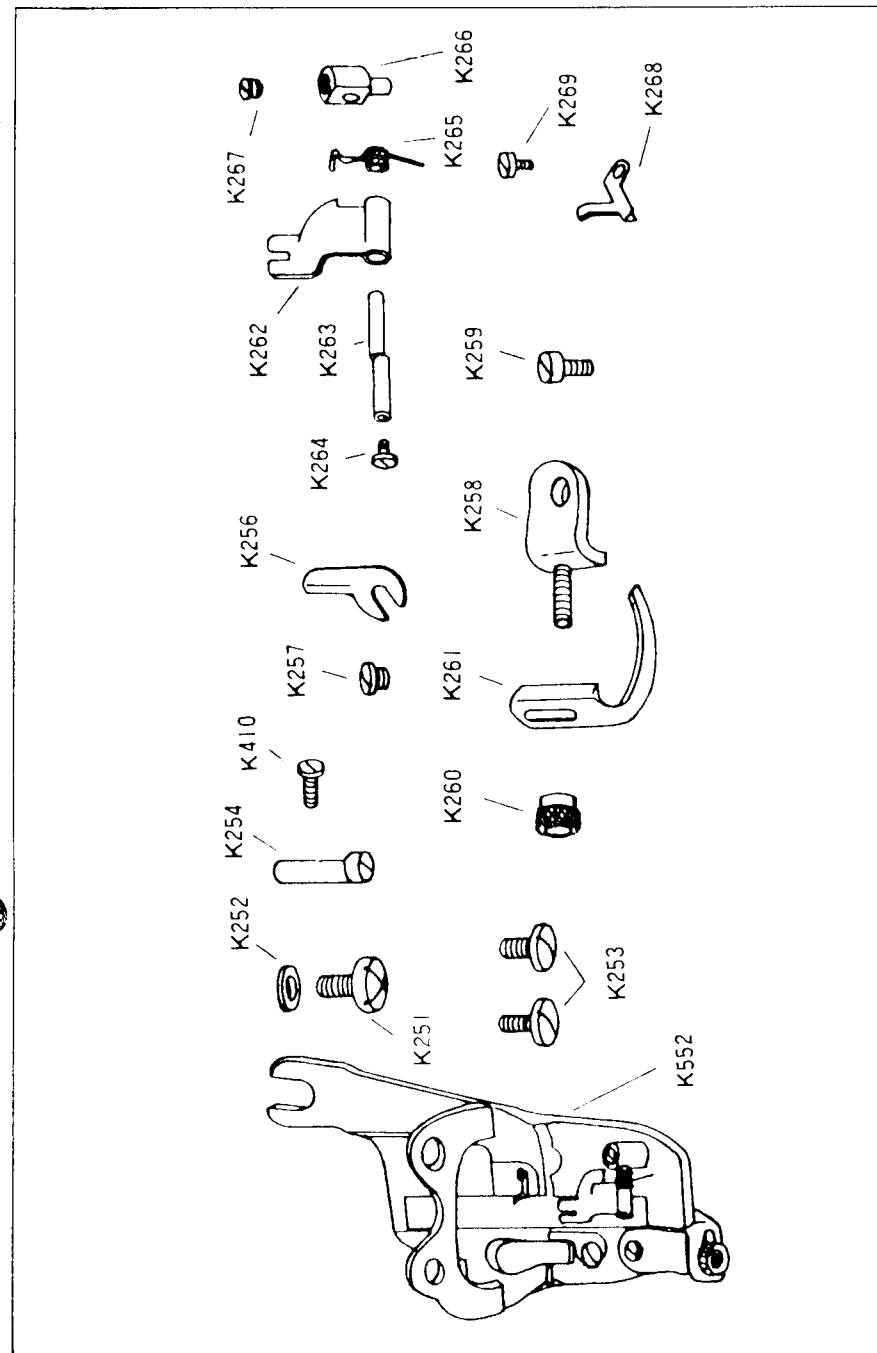
K538	Knee lifter rock shaft
K539	Knee lifter lifting lever
K540	Knee lifter lifting lever clamp screw
K541	Knee lifter rock shaft return spring
K542	Knee lifter rock shaft collar
K543	Knee lifter rock shaft collar set screw
K544	Knee lifter lifting hook
K545	Knee lifter lifting hook screw (upper)
K546	Knee lifter lifting hook screw (lower)
K547	Knee lifter knee pad rod
K548	Knee lifter rock shaft sleeve
K216	Knee lifter rock shaft sleeve screw
K217	Knee pad
K218	Knee pad lock screw
K551	Knee pad cover



Parts No.

Description

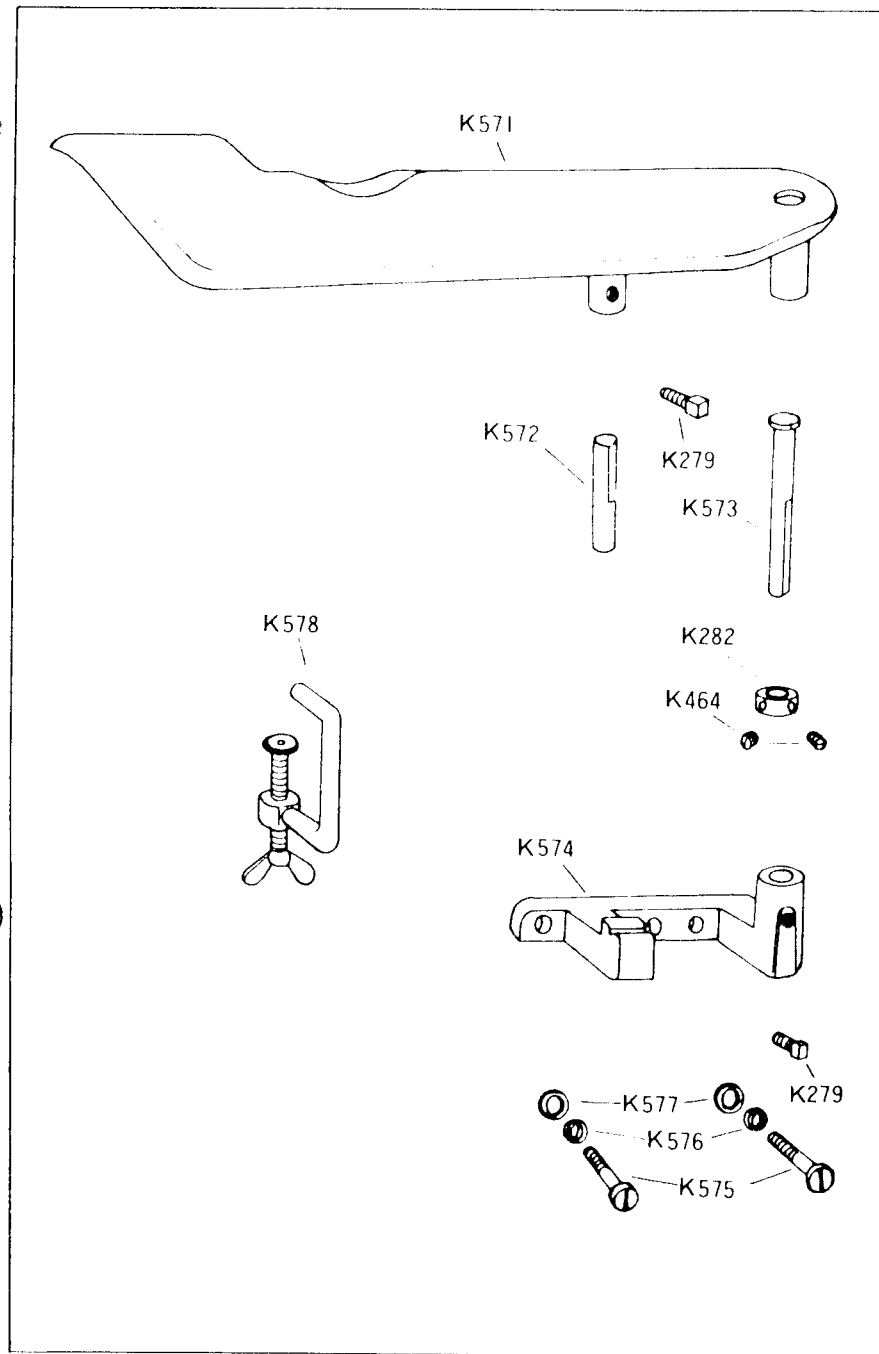
K552	Complete presser foot assembly
K251	Presser foot clamping screw
K252	Presser foot clamping screw washer
K253	Presser foot bridge screw
K254	Presser foot eccentric pin
K410	Presser foot eccentric pin set screw
K256	Needle guide
K257	Needle guide screw
K262	Presser foot shoe
K263	Presser foot shoe hinge pin
K264	Presser foot shoe hinge pin screw
K265	Presser foot shoe spring
K266	Presser foot shoe post
K267	Presser foot shoe hinge pin set screw
K258	Front cloth guide holder
K259	Front cloth guide holder screw
K261	Front cloth guide
K260	Cloth guide nut
K268	Chaining-off finger
K269	Chaining-off finger screw



Parts No.

Description

- K571 Swing-out cloth plate
- K572 Cloth plate stop pin assembly
- K279 Cloth plate stop pin set screw
- K573 Cloth plate pivot hinge pin
- K282 Cloth plate pivot hinge pin collar
- K464 Cloth plate pivot hinge pin collar set screw
- K279 Cloth plate pivot hinge pin set screw
- K574 Cloth plate support bracket
- K575 Cloth plate support bracket screw
- K576 Cloth plate support bracket screw washer (lock)
- K577 Cloth plate support bracket screw washer (flat)
- K578 machine clamp



Parts No.	Description
K579	Machine oil pan
K580	Machine felt
K581	Machine oil pan screw
K582	Thread stand base
K583	Thread spool holder
K584	Thread spool holder pin
K585	Thread spool holder pin nut
K586	Thread stand thread guide
K414	Thread stand thread guide thumb screw
K587	Machine carrying handle
K588	Thread spool cone
K410	Thread stand base screw

