

Singer 96-100

Form 19335
(539)

PRINTED IN U. S. A.

REPAIR DEPT.

PARTS DEPT

SINGER

96-100

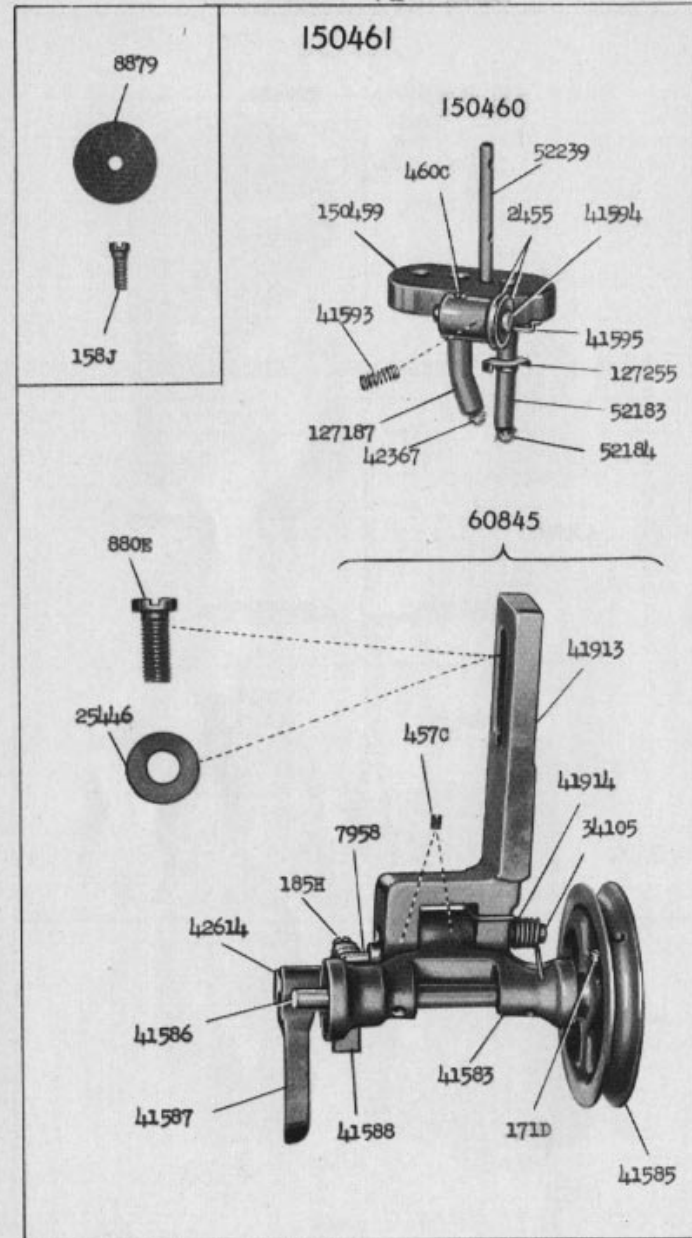


THE SINGER MANUFACTURING COMPANY



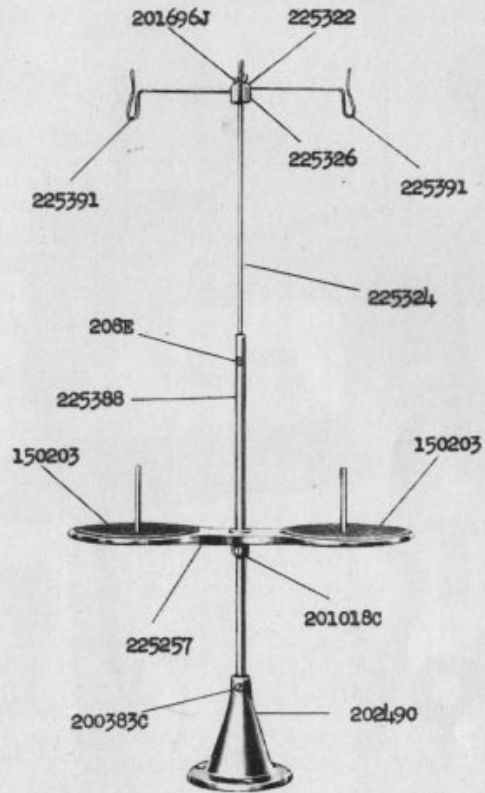
Copyright, U. S. A., 1937 and 1939
 by The Singer Manufacturing Co.
 All Rights Reserved for all Countries

22247 - 1/2



22248 - 1/6

225258



27739

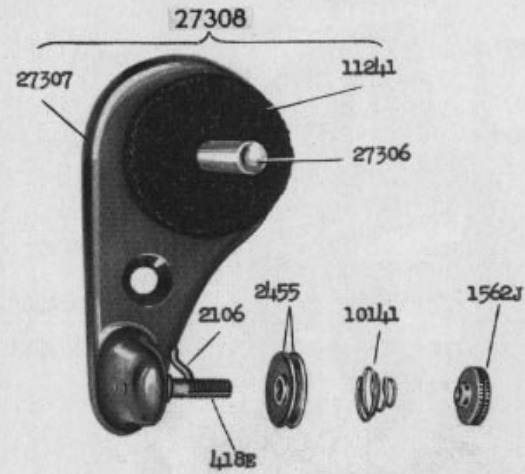


225390

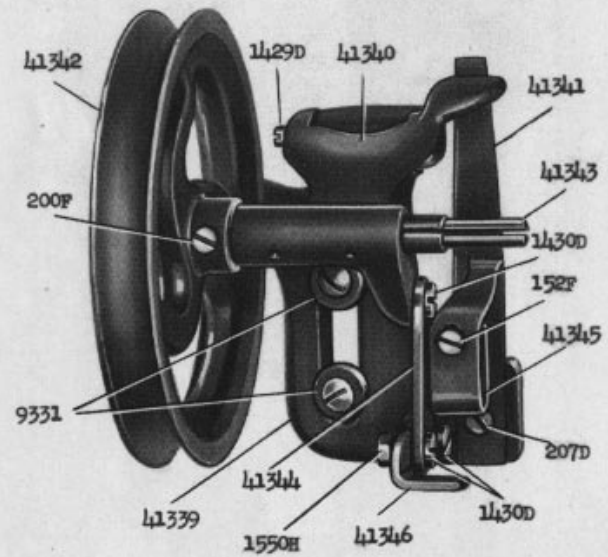


22907 - 2/3

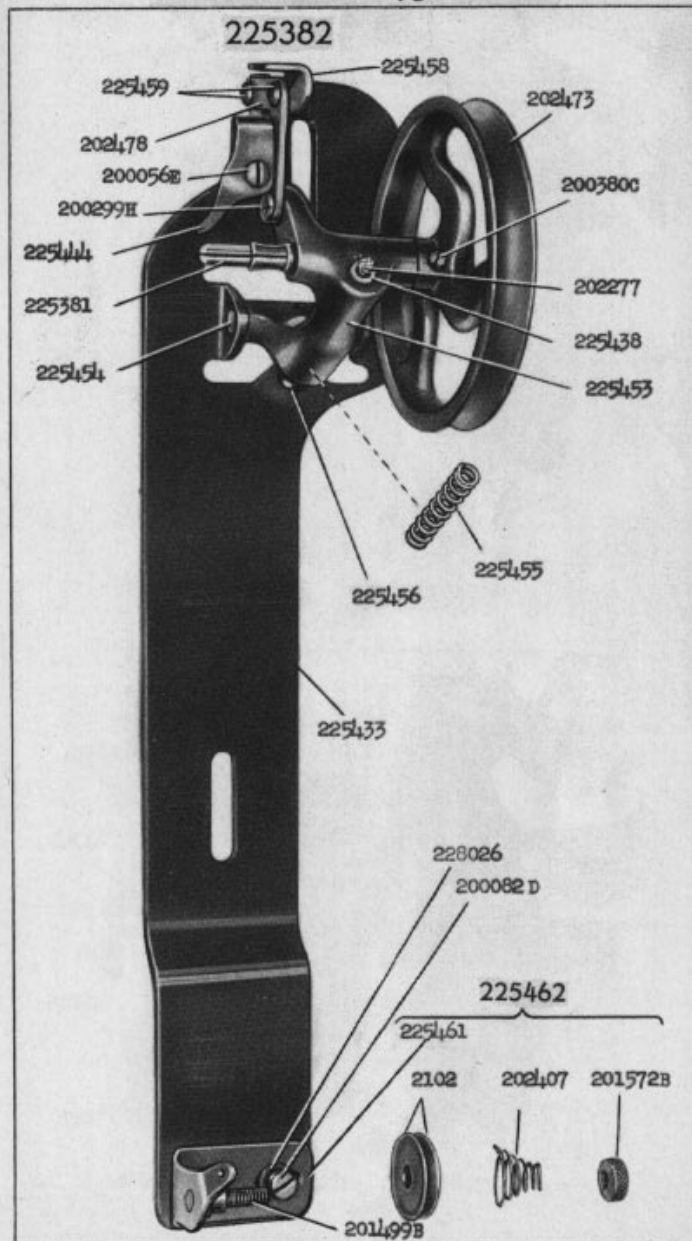
41348



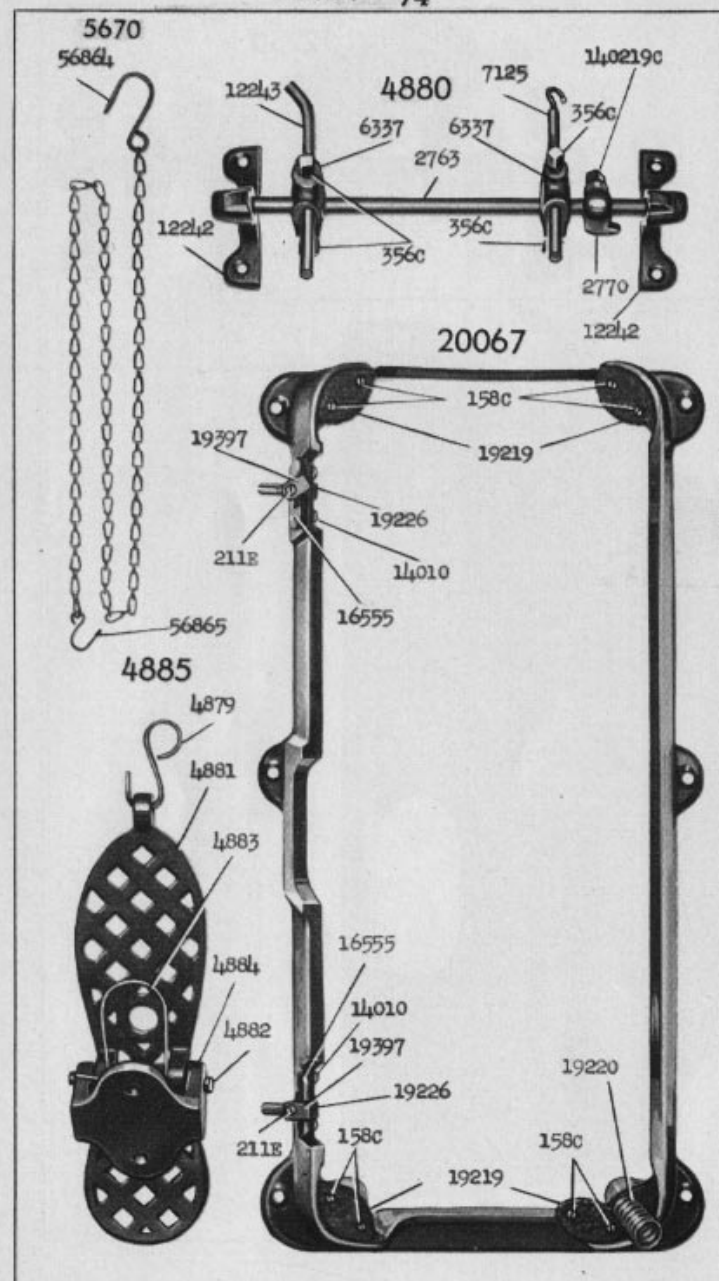
41347



22908 - 2/3

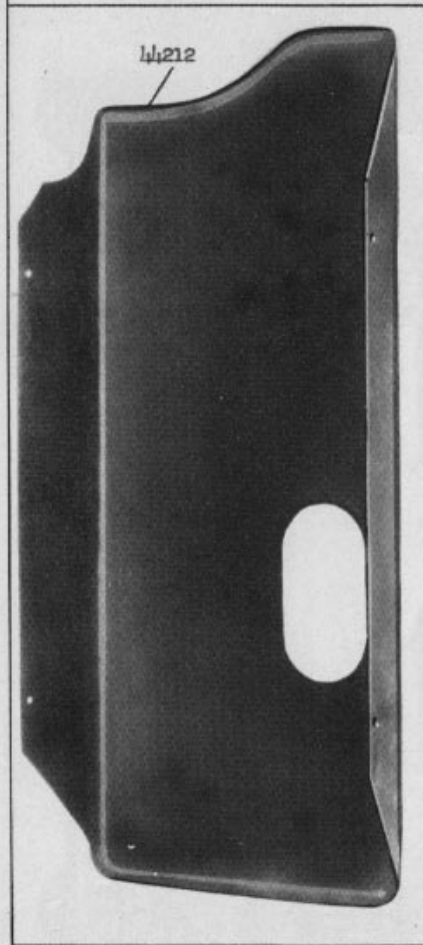
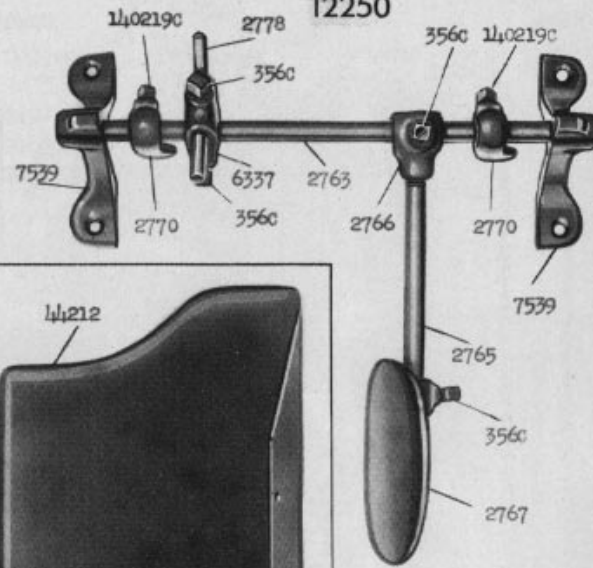


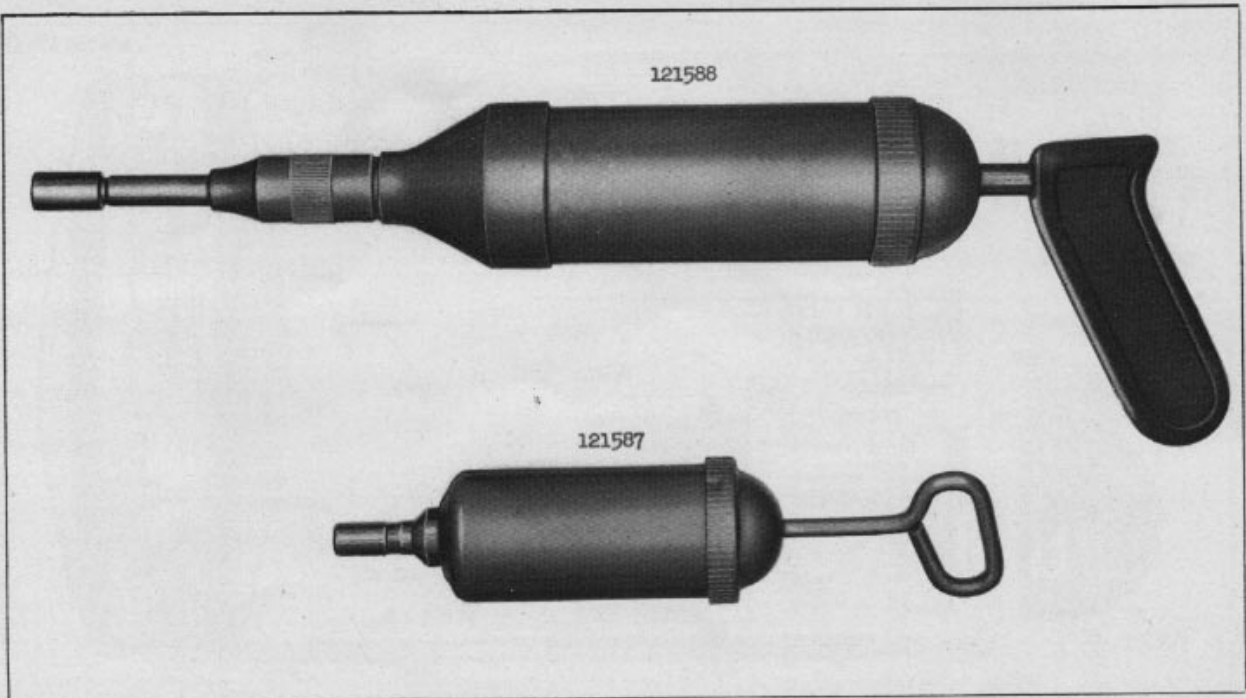
22909 - 1/4



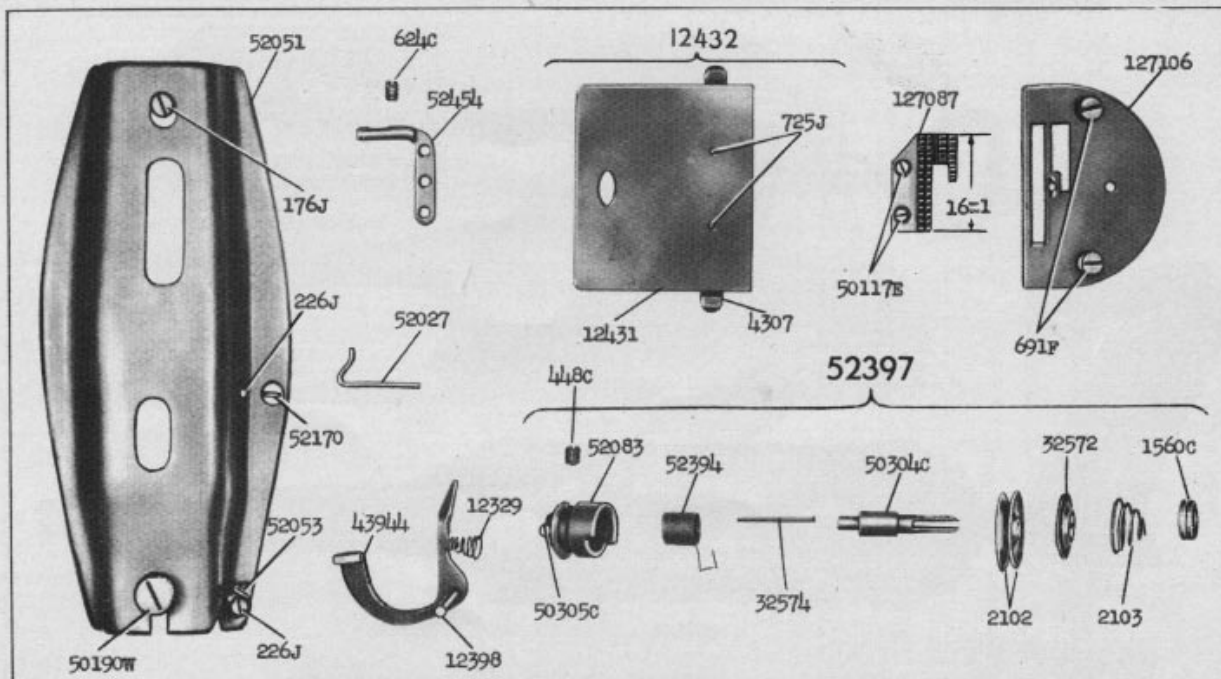
22910 - 1/4

12250

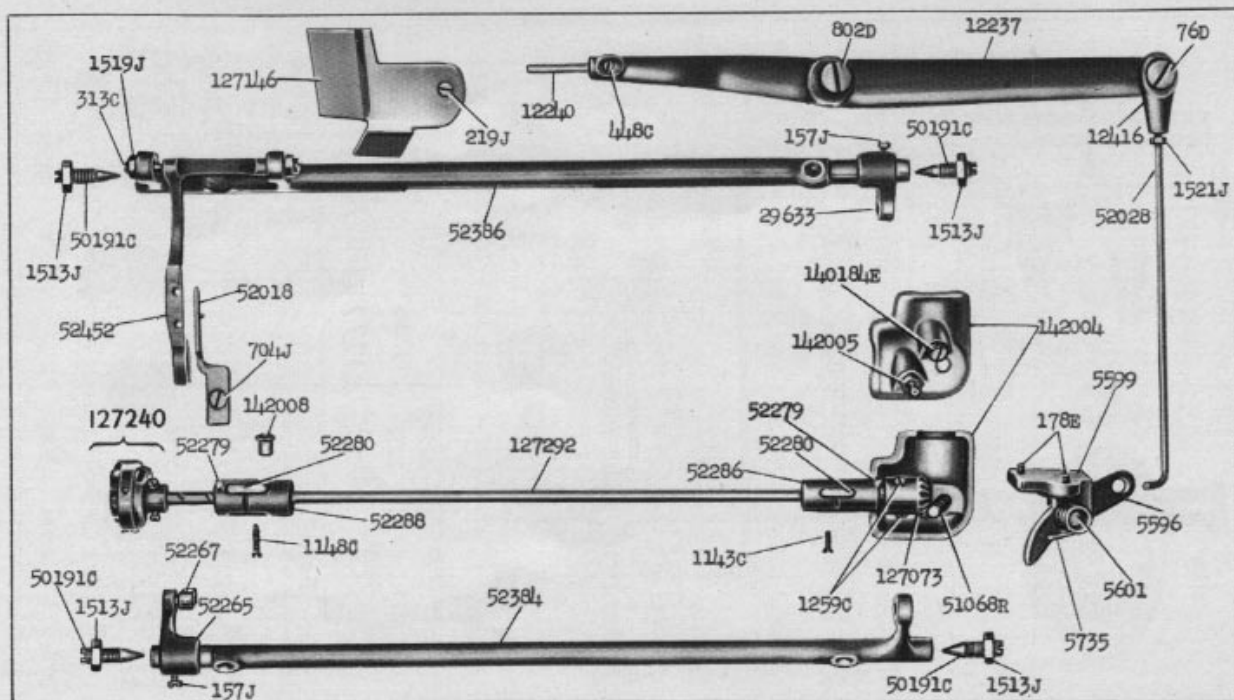




22981 - 1/2

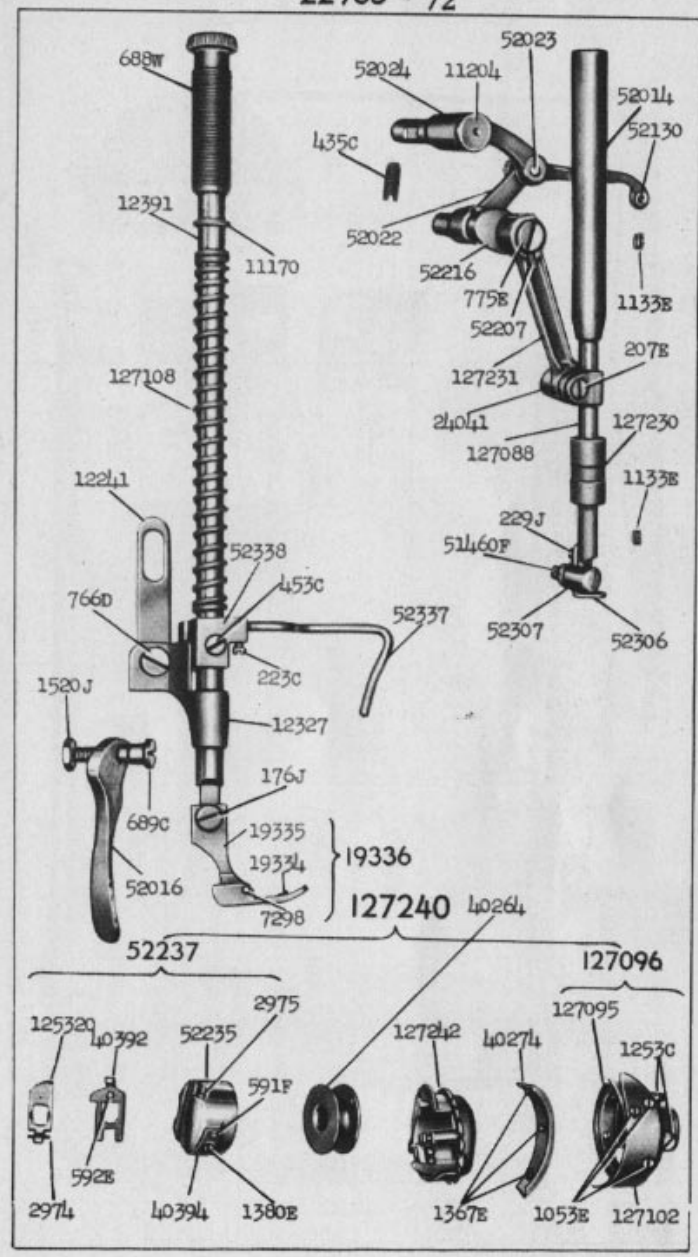


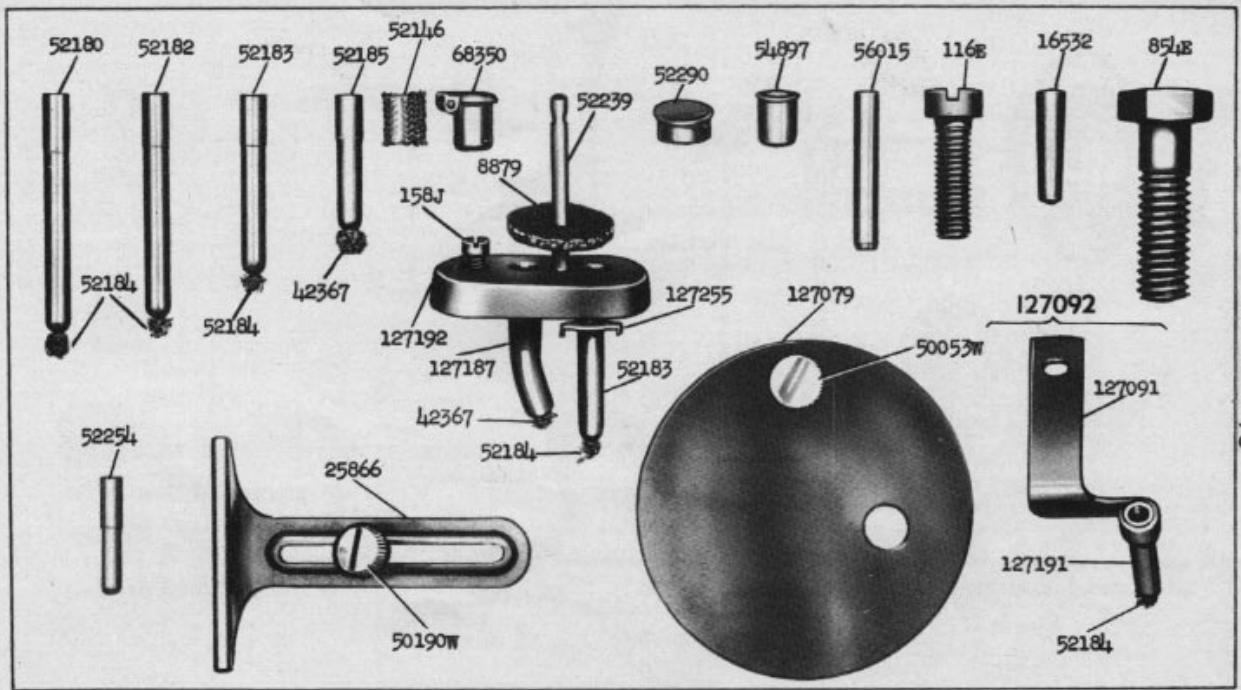
22983 - 1/2



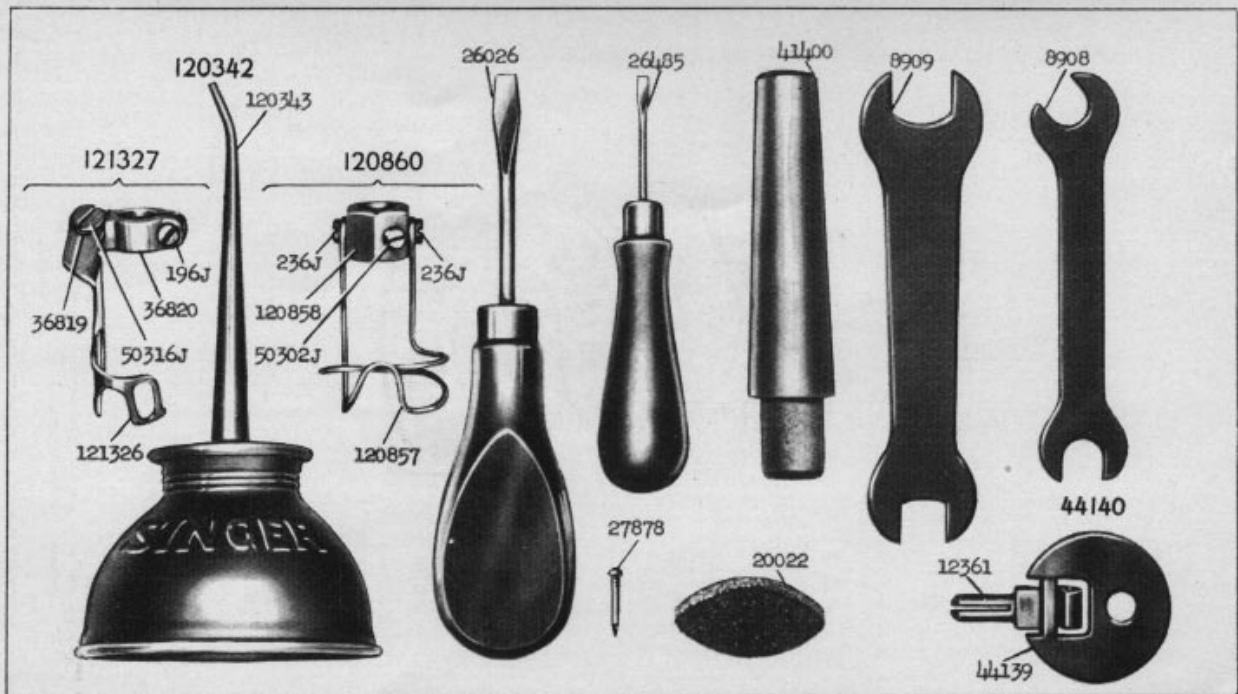
22984 - 1/3

22985 - 1/2





22990 - 2/3



22996 - 1/2