

SINGER
300W/320W

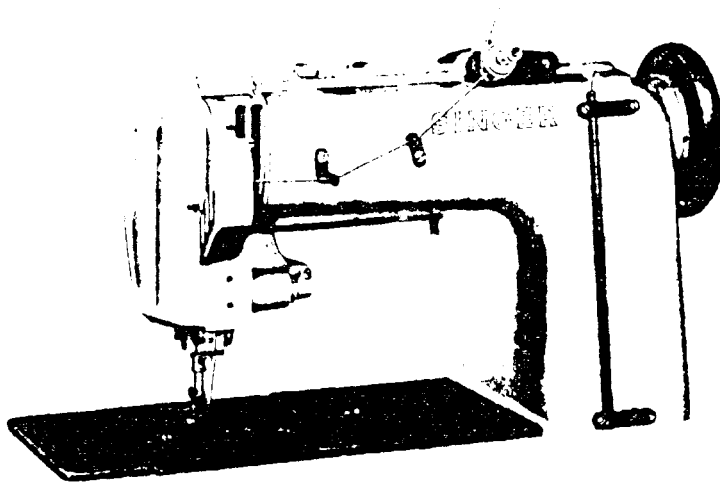
21323

Form 21323
Rev. (566)

SINGER*

Service Manual

CLASSES 300W AND 320W



Machine 300W101

THE SINGER COMPANY

Copyright © 1964 by The Singer Company
Copyright Under International Copyright Union
All Rights Reserved under Inter-American Copyright Union

*A Trademark of THE SINGER COMPANY

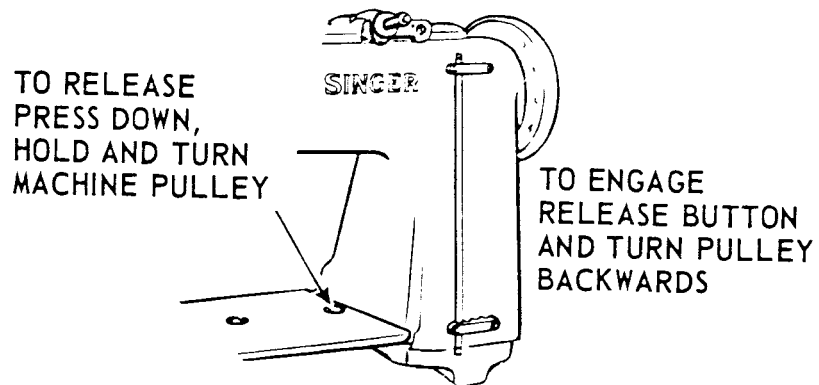
Printed in U. S. A.

INSTRUCTIONS FOR USING
SINGER*
ANTI-REVERSING MECHANISM
ON MACHINES OF CLASSES 300W and 320W

Machines 300W194, 300W294 and 320W194 are equipped with an ANTI-REVERSING device.

To release the device, depress button located on right side of bed plate, hold down and turn machine pulley either forward or backward.

To engage the device, release button and turn machine pulley toward rear of machine until device "snaps" into place.



EQUALIZING THE FEEDING MOVEMENT OF THE NEEDLE FEED AND DROP FEED
ON MACHINES OF CLASSES 300W AND 320W

The needle feed and drop feed should not only be timed to move simultaneously, but should also move the same distance during feeding. If the drop feed moves a greater or lesser distance than the needle feed, depress the stitch length button and turn the machine pulley, as required, to cause the drop feed movement to equal the needle feed movement. The stitch length of both feeds can then be reset simultaneously, as described on page 10.

THE SINGER COMPANY
*A Trademark of THE SINGER COMPANY

CONTENTS

DESCRIPTION.....	3	OPERATOR INFORMATION.....	5-8
INSTALLATION.....	4	ADJUSTMENTS.....	8-17
LUBRICATION.....	5		

INDEX

Description of Machine.....	3	Needles.....	6
General Characteristics.....	3	Setting.....	6
Special Features.....	3	Needle Bar, Height.....	14
Feed Bar, Height.....	12	Needle Bar, Position.....	13
Feed Dog, Centralizing.....	12	Needle Guard.....	15
Height.....	12	Presser Bar, Height.....	11
Lengthwise Setting.....	12	Presser Foot, Pressure.....	8, 9
Sidewise Setting.....	12	Speed.....	5
Timing.....	13	Stitch Length.....	10
Feed Roll, Pressure.....	9	Spreader, Positioning.....	16
Installation.....	4	Lengthwise Setting.....	16
Loop Deflector.....	13	Sidewise and Height Setting.....	16
Looper, Positioning.....	14	Take-up, Adjustment.....	17
Lengthwise Setting.....	14	Looper Thread.....	17
Sidewise Setting.....	14	Needle Thread.....	17
Timing.....	15	Tension.....	8
Lubrication.....	5	Releaser.....	17
Arm Shaft.....	5	Threading.....	7
Bed Shaft.....	5	Upper.....	7
Other Points.....	5	Lower.....	7

TO ALL WHOM IT MAY CONCERN:

The improper placing or renewal of the Trademark SINGER* or any other of the Trademarks of The Singer Company (all of which are duly Registered Trademarks) on any machine that has been repaired, rebuilt, reconditioned, or altered in any way whatsoever outside a SINGER factory or an authorized SINGER agency is forbidden.

DESCRIPTION

Machines of Class 300W are high speed, compound feed, two thread chainstitch machines designed for general stitching operations on materials of medium and heavy weight.

These machines are available for single and multiple stitching operations such as seaming, binding, welting, lap seam felling, etc. They perform outstanding work on trousers, work clothing, automotive upholstery, tents, tarpaulins, seat covers and a variety of other products.

General Characteristics

Belt driven arm shaft mounted in front and rear ball bearings.

Belt driven bed shaft.

Semi-automatic lubricating system with large capacity oil reservoir in upper and lower shafts lubricates all principal bearings.

Presser foot is raised by a treadle operated foot lifter which also releases the needle thread tension.

Space at right of needle, 10 inches.

Special Features

Machine 300W101

One needle and one looper.

Stitch length, 4 to 12 per inch.

Needle bar stroke, 1-1/4 inches.

Clearance under presser foot, 3/8 inch.

Machine 300W103

One needle and one looper.

Alternating pressers.

Stitch length, 4 to 12 per inch.

Needle bar stroke, 1-1/4 inches.

Clearance under presser feet, 3/8 inch.

Machine 300W104

One needle and one looper.

Alternating pressers with pneumatic pressure control.

Stitch length, 4 to 12 per inch.

Needle bar stroke, 1-7/16 inches.

Clearance under presser feet, 1/2 inch.

Machine 300W105

One needle and one looper.

Gear driven Puller Feed.

Stitch length, 4 to 12 per inch.

Needle bar stroke, 1-1/4 inches.

Clearance under presser foot, 3/8 inch.

Machine 300W201

Two needles and two loopers.

Stitch length, 4 to 12 per inch.

Needle bar stroke, 1-1/4 inches.

Clearance under presser foot, 3/8 inch.

Gauges (Needle Spacing): 3/16 inch to 2 inches in steps of 1/32 inch.

Standard gauges, 3/16 inch, 1/4 inch, 3/8 inch, 1/2 inch, 5/8 inch, 3/4 inch, 1-1/4 inches and 1-1/2 inches.

Machine 300W203

Two needles and two loopers.

Alternating pressers.

Needle bar stroke, 1-1/4 inches.

Stitch length, 4 to 12 per inch.

Clearance under presser feet, 3/8 inch.

Gauges (Needle Spacing): 3/16 inch to 2 inches in steps of 1/32 inch.

Standard gauges, 1/4 inch and 3/4 inch.

Machine 300W204

Two needles and two loopers.

Alternating pressers with pneumatic pressure control.

Stitch length, 4 to 12 per inch.

Needle bar stroke, 1-7/16 inches.

Clearance under presser feet, 1/2 inch.

Gauges (Needle Spacing): 3/16 inch to 2 inches in steps of 1/32 inch.

Standard gauge, 1/4 inch.

Machine 300W205

Two needles and two loopers.

Gear driven Puller Feed.

Stitch length, 4 to 12 per inch.

Needle bar stroke, 1-1/4 inches.

Clearance under presser foot, 3/8 inch.

Gauges (Needle Spacing): 3/16 inch to 2 inches in steps of 1/32.

Standard gauges, 3/16 inch, 1/2 inch, 5/8 inch, 1-1/4 inches and 1-1/2 inches.

Machine 300W305

Three needles and three loopers.

Gear driven Puller Feed.

Stitch length, 4 to 12 per inch.

Needle bar stroke, 1-1/4 inches.

Clearance under presser foot, 3/8 inch.

Gauges (Needle Spacing): 1/2 inch to 2 inches between outside needles.

Standard gauge, 1/4 inch - 1/4 inch.

Machine 300W401

Four needles and four loopers.

Stitch length, 4 to 12 per inch.

Needle bar stroke, 1-1/4 inches.

Clearance under presser foot, 3/8 inch.

Gauges (Needle Spacing): 3/4 inch to 2 inches between outside needles.

Standard gauges, 1/4 inch - 1/4 inch - 1/4 inch, 5/16 inch - 5/16 inch - 5/16 inch, 3/8 inch - 3/8 inch - 3/8 inch, 1/2 inch - 1/2 inch - 1/2 inch, 1/4 inch - 1 inch - 1/4 inch.

Machine 300W405

Four needles and four loopers.

Gear driven Puller Feed.

Stitch length, 4 to 12 per inch.

Needle bar stroke, 1-1/4 inches.

Clearance under presser foot, 3/8 inch.

Gauges (Needle Spacing): 3/4 inch to 2 inches between outside needles.

Standard gauges, 1/4 inch - 1/4 inch - 1/4 inch, 5/16 inch - 5/16 inch - 5/16 inch, 3/8 inch - 3/8 inch - 3/8 inch, 1/2 inch - 1/2 inch - 1/2 inch, 1/4 inch - 1 inch - 1/4 inch.

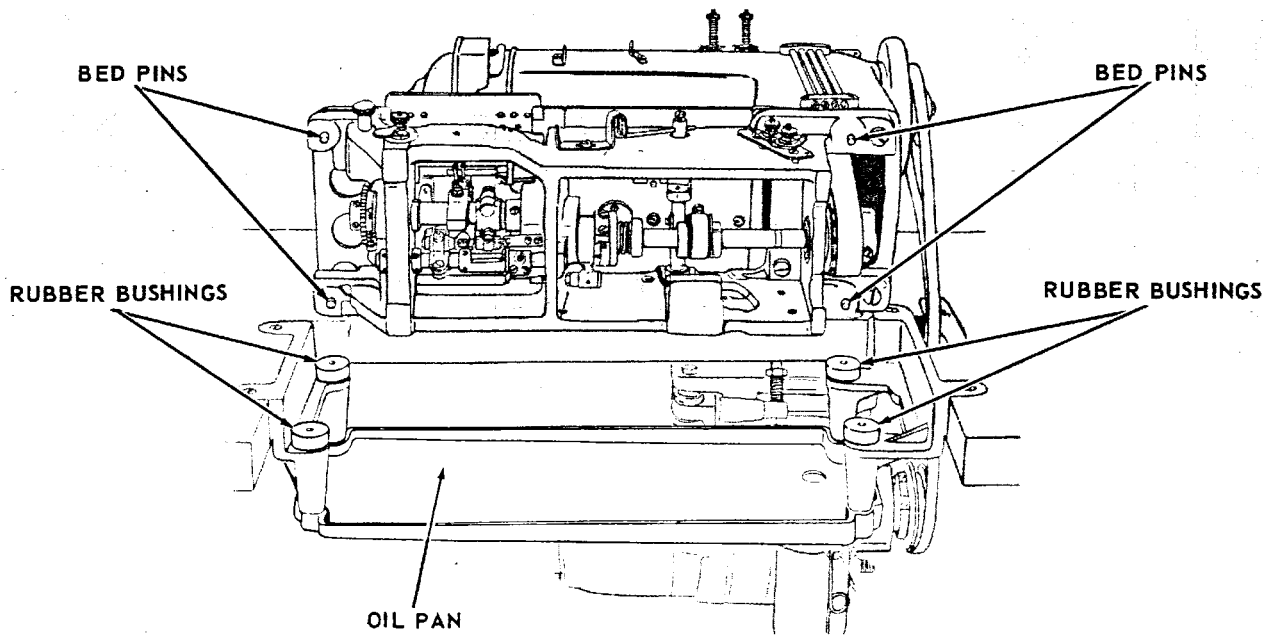


Fig. 2

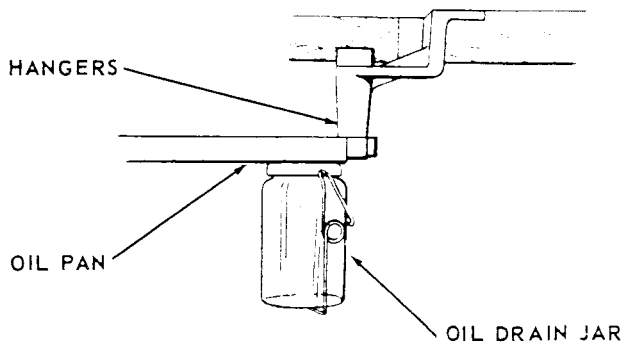


Fig. 3

INSTALLATION

Assemble oil pan to hangers. Insert assembled oil pan into machine cut-out of table placing four rubber bushings in hanger holes as shown in Fig. 2. Attach oil drain jar to oil pan as shown in Fig. 3.

Place machine on oil pan assembly with the four bed pins passing through the four rubber bushings shown in Fig. 2.

Connect foot lifter treadle to foot lifter lever, Fig. 4, at back of machine by chain furnished for this purpose.

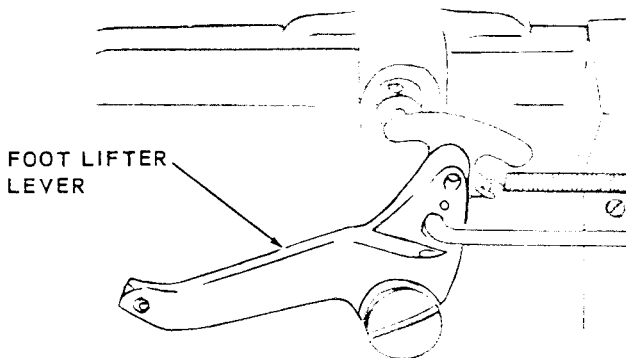


Fig. 4

NEEDLES

Machines 300W101, 300W105, 300W201, 300W205, 300W305, 300W401 and 300W405:

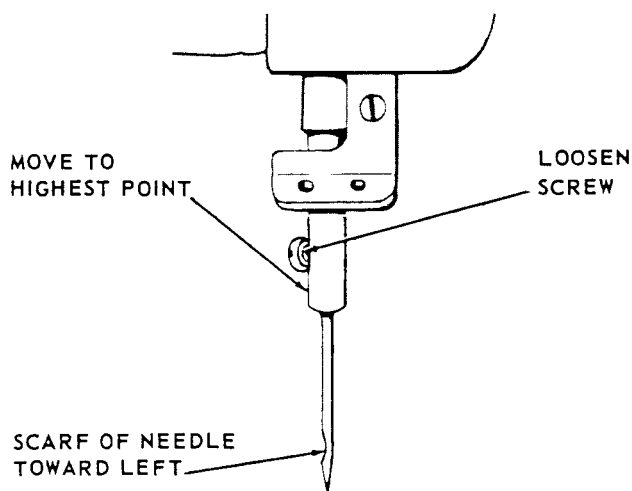
Use SINGER* Needles, Catalog 3260 (62x57)

For heavier weight material, needle Catalog 4112 (62x59) may also be used. In this case, the needle bar must be adjust as instructed on page 13.

Machines 300W103, 300W104, 300W203 and 300W204:
Use SINGER* Needles, Catalog 4112 (62x59) for medium heavy work or Catalog 3260 (62x57) for medium light work.

The size of the needle to be used is determined by the size of the thread which must pass freely through the eye of the needle.

Orders for needles should specify quantity required, size number and catalog number.



To Set The Needle

Turn machine pulley over toward the operator until the needle bar is at its highest point, as shown in Fig. 7.

Loosen needle set screw on single needle machines or needle clamping screws on multiple needle machines, as shown in Fig. 7.

Insert needle into needle bar or clamp as far as it will go making certain that the scarf of each needle faces toward the left, as shown in Fig. 7.

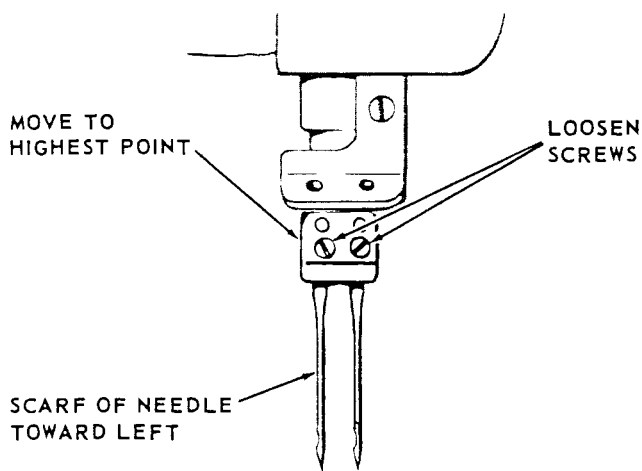


Fig. 7

THREAD

Either left twist or right twist thread may be used in the needles and loopers.

Rough or uneven thread, or thread which passes through the needle eye with difficulty will interfere with successful operation of the machine.

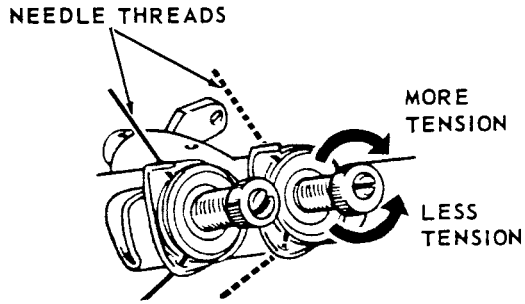


Fig. 9

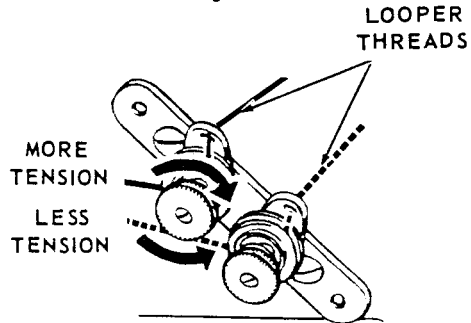


Fig. 10

PRESSURE

Pressure on material should be as light as possible while still sufficient to insure correct feeding.

Presser Foot Pressure

To regulate presser foot pressure, loosen lock screw, Fig. 11, at rear of machine. Tighten thumb screw to increase pressure; loosen to decrease pressure. When correct feeding pressure is attained, tighten lock screw.

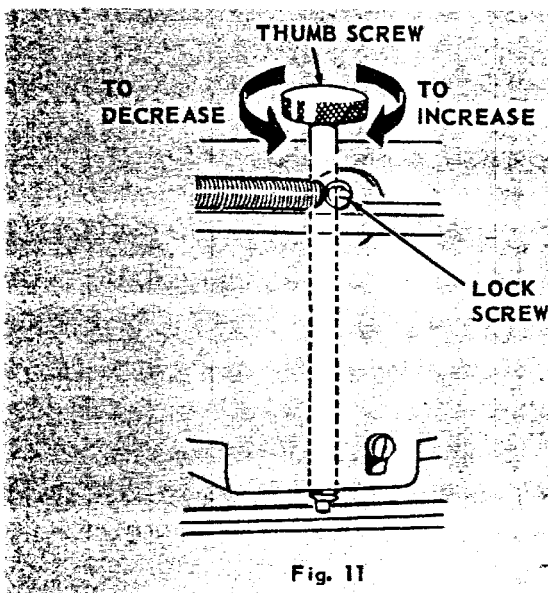


Fig. 11

TENSION

Tension on thread should be light as possible while still sufficient to set the stitch correctly in material.

Needle Thread Tension

To regulate needle thread tension, turn thumb screw, indicated in Fig. 9, as may be required.

IMPORTANT: Regulate needle thread tension only when presser foot is down.

Looper Thread Tension

To regulate looper thread tension, turn thumb screws, as indicated in Fig. 10, as may be required.

Alternating Pressers:

To increase pressure, loosen lower lock nut and loosen lock screw, then tighten upper lock nut, see Fig. 12. When correct pressure is attained, tighten lock screw. Then tighten the lower lock nut. To decrease pressure, loosen upper lock nut and loosen lock screw, then tighten lower lock nut. When correct pressure is attained, tighten lock screw. Then tighten the upper lock nut.

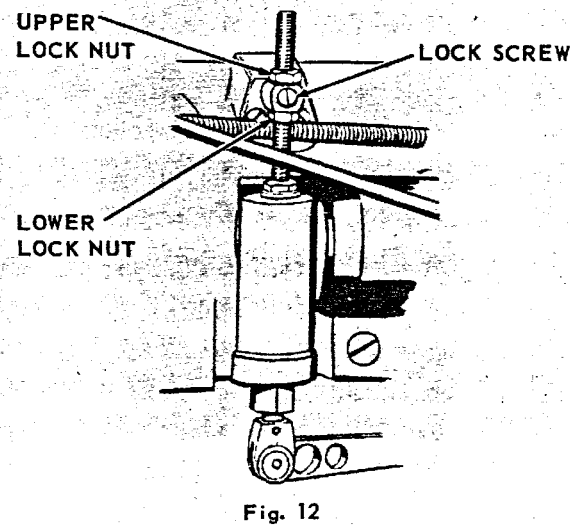


Fig. 12

STITCH LENGTH

To adjust the stitch length, depress plunger, Fig. 16, located on top of arm. Continue to hold plunger down and turn machine pulley toward operator until plunger enters notch in arm shaft eccentric. Then turn plunger to lock in position. Depress button, Fig. 16, located on machine bed. Hold down, and turn machine pulley toward operator to increase length of stitch, or away from operator to decrease length of stitch. Letter "A" on machine pulley indicates the longest stitch. When desired length, indicated by letter, is opposite arrow on front of machine, release button and turn plunger to right or left until it springs outward.

CAUTION: Never turn machine pulley with plunger in locked position until button on machine bed is depressed.

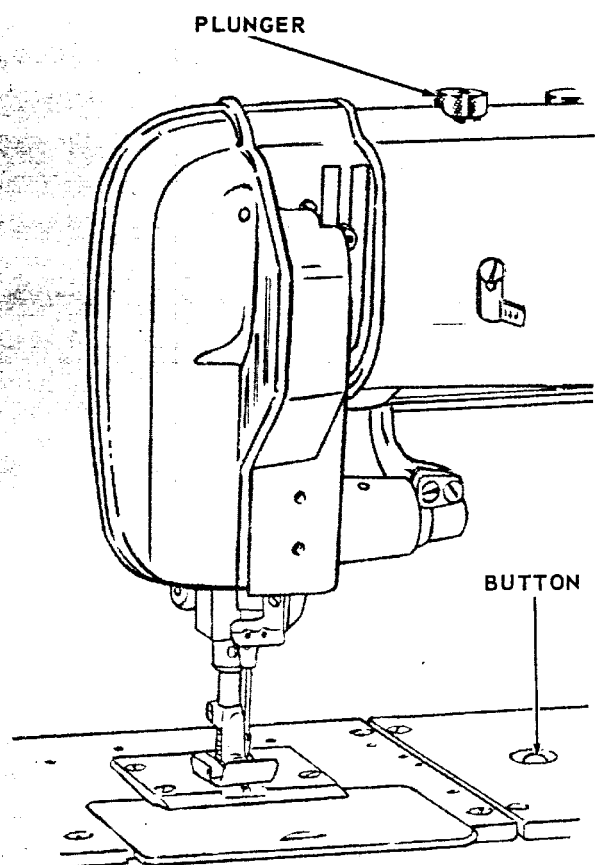


Fig. 16

Machine with Puller Feed

The length of the stitch is determined by the stitch gears in the puller feed mechanism. The compound feed stitch length should be set slightly shorter than the stitch length of the puller feed.

To change Puller Feed gears for adjusting stitch length, remove the two cover plate screws and remove cover plate, Fig. 17. Loosen set screws. Slide puller feed shaft to the right far enough to allow removal of worm and worm gear. Place the new worm on cross shaft. Turn worm in the operating direction and tighten the first set screw into the flat of the shaft. Then securely tighten both set screws, checking for excessive end play. Engage the new worm gear with the worm and slide puller feed shaft through the worm gear until the end of the shaft is flush with the needle bearing. Remove end play in the shaft by setting the two collars against the bracket and tightening the four set screws. Align the lower feed roll with the upper feed roll and tighten the two set screws. Center the worm gear on the center of the worm. Tighten the two set screws with the first screw in the spline of the shaft. Replace cover plate and adjust the compound feed.

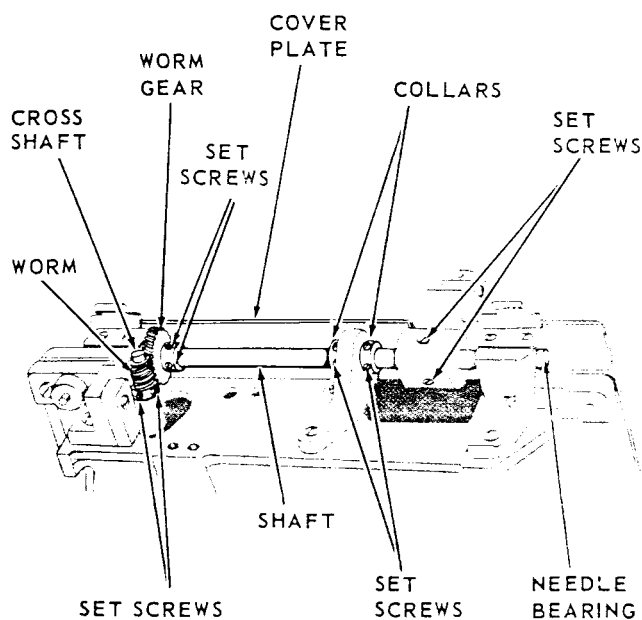


Fig. 17

PRESSER BAR LIFT

When the presser foot is raised by the presser bar lifter and the needle is at its highest position, the point of the needle should not protrude below the presser foot.

To adjust, turn machine pulley over toward operator until needle is at its highest position. Loosen set screw, Fig. 18. Raise presser foot to the correct height, place stop collar against upper bracket, and tighten the set screw.

Machines with Alternating Pressers

The lift of the vibrating and lifting pressers is controlled by an adjustable eccentric. To adjust, remove arm cover at rear of machine. Turn machine pulley over toward operator until feeding presser is down. Loosen the two lock screws, Fig. 19, and the two clamp screws. Insert screw driver into notch of adjusting disc, and turn machine pulley as indicated in Fig. 19. Then tighten the two clamp screws and the two lock screws.

When it is desirable to have either one of the pressers lift higher than the other, turn machine pulley over toward operator until the lifting presser is at its highest position. Loosen the two clamp screws, Fig. 20, and turn lifting rock shaft crank up or down until desired lift of each presser is attained. Then tighten the two clamp screws.

CAUTION: Limit lift of pressers to minimum required for the work, as this permits higher speeds.

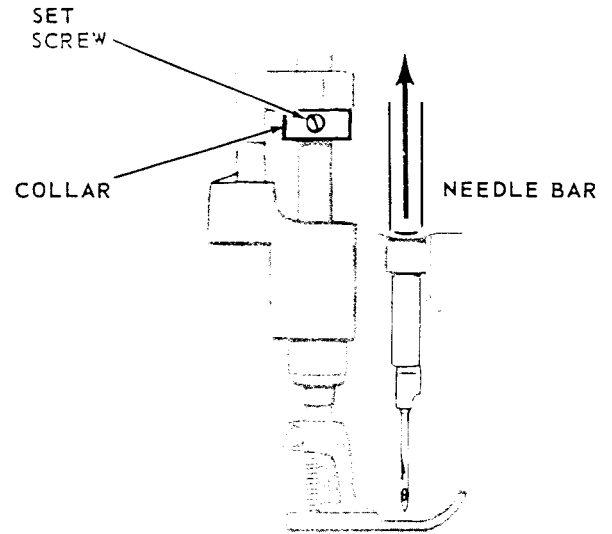


Fig. 18

The vibrating presser should be timed so that under normal sewing conditions, the presser foot will seat on the material at approximately the same time the needle enters material. This timing can be advanced or retarded slightly depending on the type of operation being performed, such as sewing over seams. To adjust, loosen two holding screws, Fig. 20, not more than one half turn. Then turn the adjustable eccentric, Fig. 19, until the vibrating presser seats at the correct time. Securely tighten the two holding screws after adjustment is made.

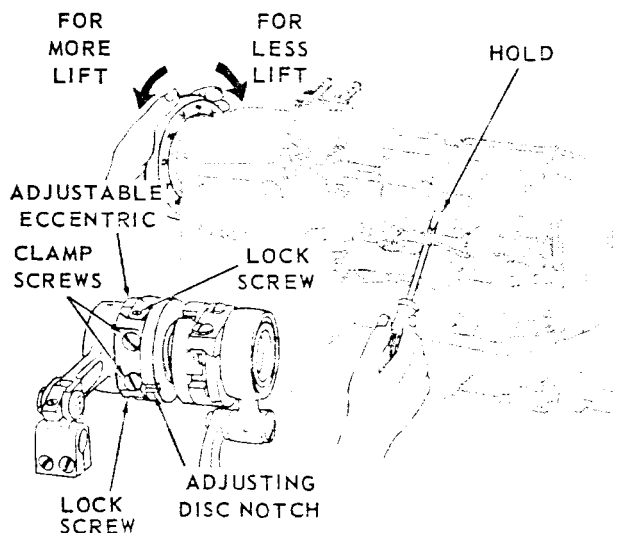


Fig. 19

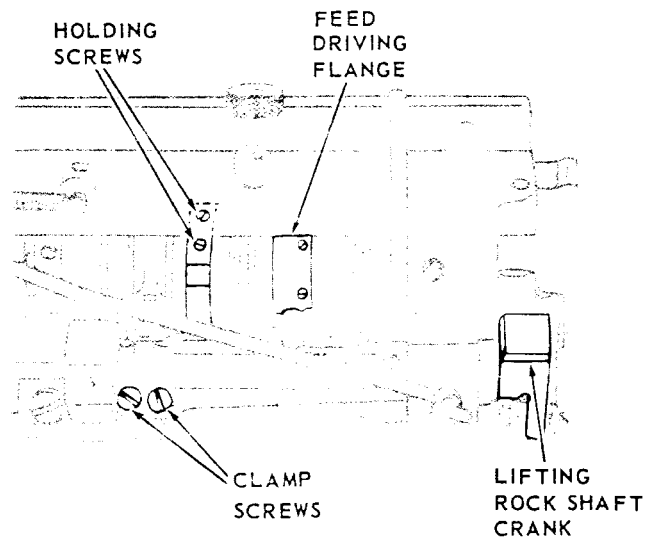


Fig. 20

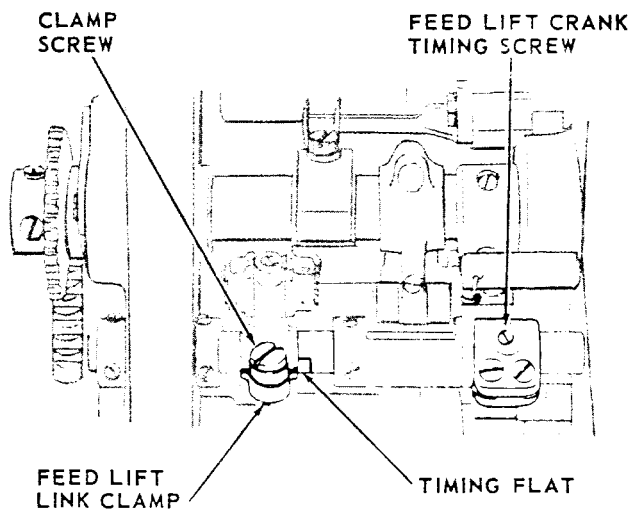


Fig. 21

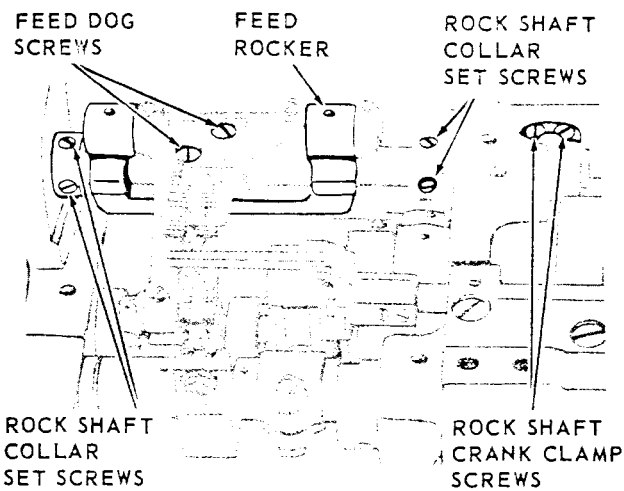


Fig. 22

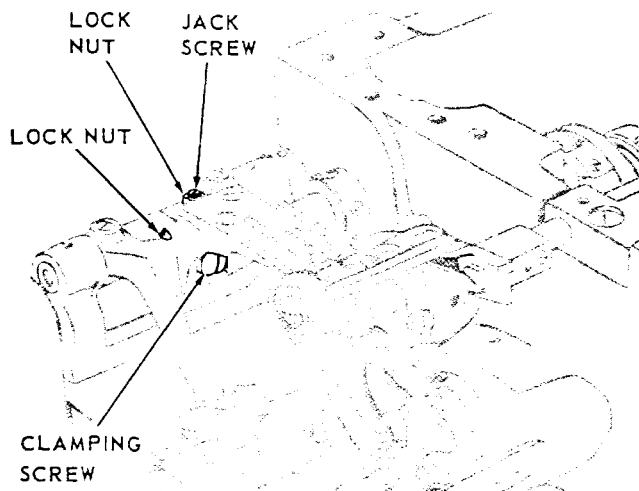


Fig. 23

TO SET FEED BAR AT CORRECT HEIGHT

When the feed bar is set at the correct height, the feed lift link clamp will be aligned with the rock shaft timing flat. To adjust, make certain that the feed lifting crank timing screw, Fig. 21, engages shaft spot correctly. Loosen clamp screw and move the feed lift clamp link to correct position. Then tighten clamp screw.

CENTRALIZING FEED DOG

Sidewise Setting

Needle should enter needle hole of feed dog with the same clearance between the needle and left or right side of hole. To adjust, loosen feed dog screws, Fig. 22. Move feed dog until correct clearance is attained. Hold in position, and tighten feed dog screws.

Additional adjustment, if necessary, may be attained by loosening the four rock shaft collar set screws, the two rock shaft crank clamp screws, Fig. 22, and feed lifting clamp screw, Fig. 21. Move complete assembly to required position and tighten screws.

Lengthwise Setting

The feed dog should clear the ends of the feed slots in the throat plate equally at both ends of feed travel. To adjust, set feed for desired stitch length. Loosen the two rock shaft crank clamp screws, Fig. 22. Move feed rocker forward or backward until correct positioning is attained. Then tighten the two clamp screws.

SETTING FEED DOG AT CORRECT HEIGHT

When the feed dog height is set correctly, approximately the full depth of the teeth will show above the throat plate. To adjust, loosen lock nuts, Fig. 23, and slightly loosen feed dog clamping screw. To raise feed dog turn jack screw clockwise; to lower turn jack screw counter-clockwise and tap feed dog down. When correct setting is attained, tighten the clamping screws and lock nuts.

TIMING FEED LIFT ECCENTRIC

When the feed dog is at its highest position, the top of the teeth should be parallel with, and project full depth of teeth above upper surface of throat plate. To adjust, insert screwdriver in hole in feed strap and loosen the two set screws, Fig. 24. Move feed lift eccentric forward for earlier rise of feed dog, or backwards for later rise. Then tighten the two set screws.

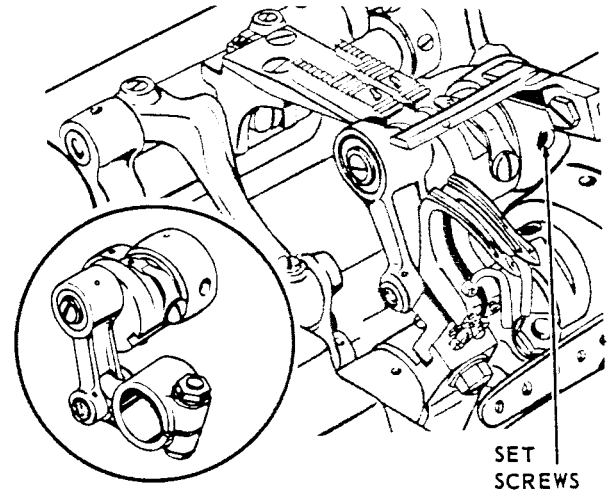


Fig. 24

NEEDLE BAR POSITIONING

Needles should enter needle holes of feed dog toward the front with approximately the same clearance between the front of the needles and the needle holes as at the side. To adjust, press needle bar rock frame, Fig. 25, against drive arm, and at the same time loosen the two driving arm clamp screws. Continue holding the rock frame against the drive arm, move needle bar to correct position and tighten the two clamp screws.

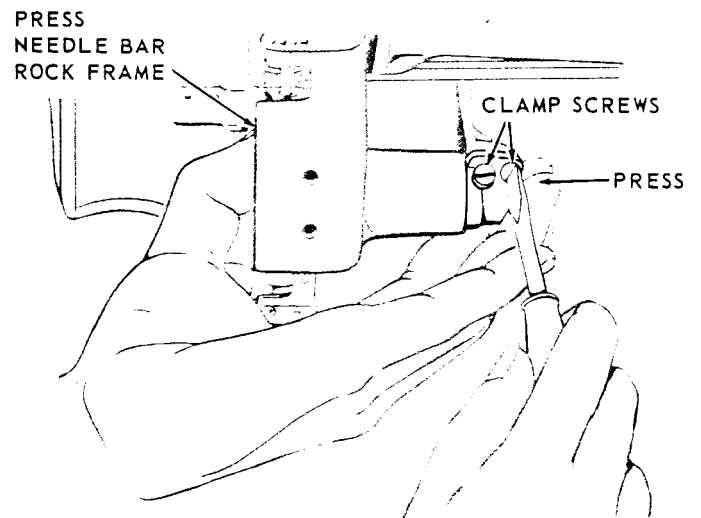


Fig. 25

POSITIONING LOOP DEFLECTORS

When loop deflector, located on underside of feed dog, is positioned correctly, there should be a clearance of approximately $1/32$ inch between the right side of the needle and the loop deflector. To adjust, move looper out of sewing position and tilt machine back on its hinges. Loosen loop deflector screws, Fig. 26. Move deflectors toward rear of feed dog as far as the screw slots allow. Tighten slightly to allow for further adjustment. Return looper to sewing position and turn machine pulley until needle bar has descended to bottom of the needle bar stroke. Tap deflector to left or right until correct clearance is attained. Move looper out of sewing position and tighten loop deflector screws.

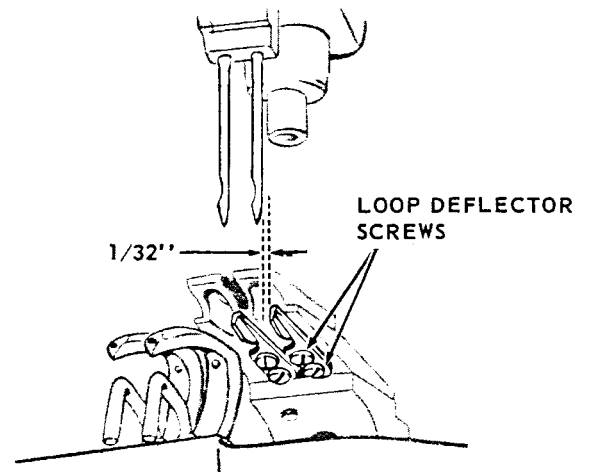


Fig. 26

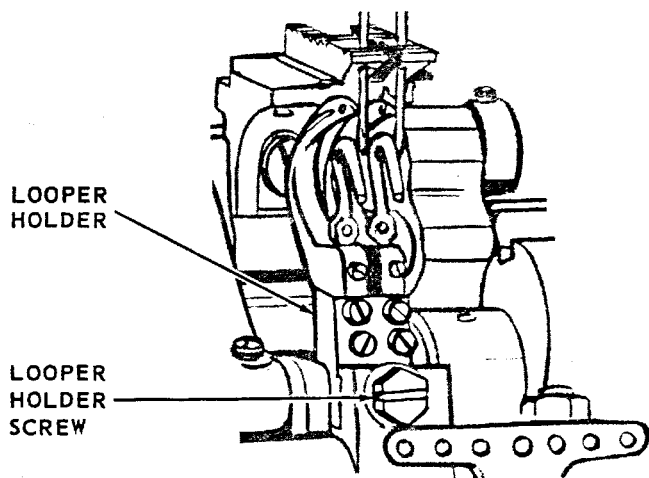


Fig. 27

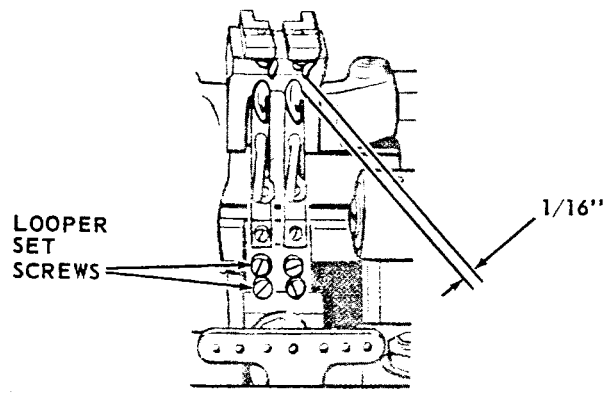


Fig. 28

SETTING THE LOOPER AT CORRECT DISTANCE FROM NEEDLE

Sidewise Setting

When the looper is correctly positioned, the point of the looper just clears the scarf of the needle on the forward stroke of the looper. To adjust, turn machine pulley until the looper point is directly opposite the center of the needle. Loosen looper holder screw, Fig. 27, and tap holder to left or right until correct clearance is attained. Then securely tighten the looper holder screw.

Move looper to extreme forward position. Check clearance between heel of looper and loop deflector, Fig. 28, which should be approximately 1/16 inch. To adjust, loosen the two looper set screws. Turn looper to left or right until correct clearance is attained. Hold in position and securely tighten the two set screws.

CAUTION: On single and multiple needle machines, make certain that the point of each looper just clears the scarf of its respective needle. To adjust, with looper point directly opposite center of needle, loosen the two set screws, Fig. 28, and turn looper slightly to left or right. Then tighten the set screws.

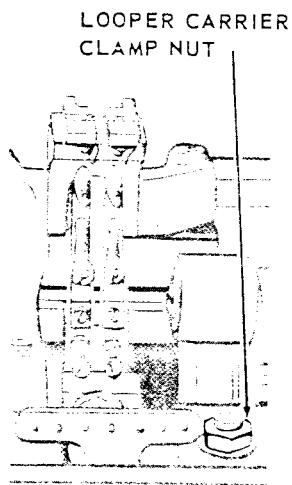


Fig. 29

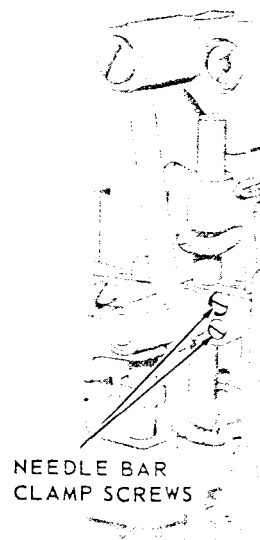


Fig. 30

Lengthwise Setting and Setting Height of Needle Bar

When correctly set, the point of the looper should be directly opposite the center of the needle, and at the center of the clearance above the eye of the needle when the looper timing mark LT on machine pulley is opposite the timing arrow on the arm.

To adjust the looper, loosen looper carrier clamping nut, Fig. 29. Move carrier forward or backward until looper point is directly opposite center of needle. Then tighten clamping nut.

To adjust needle bar, first make certain that needle is inserted up into the needle bar or clamp as far as possible. Loosen the two needle bar clamping screws, Fig. 30, and raise or lower needle bar to correct position. Then securely tighten the two clamping screws.

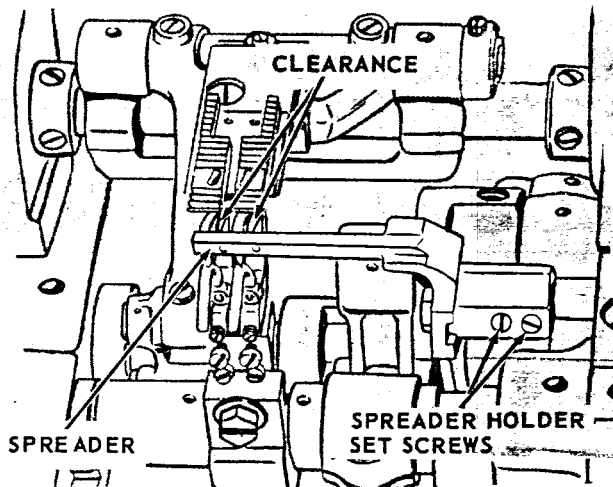


Fig. 33

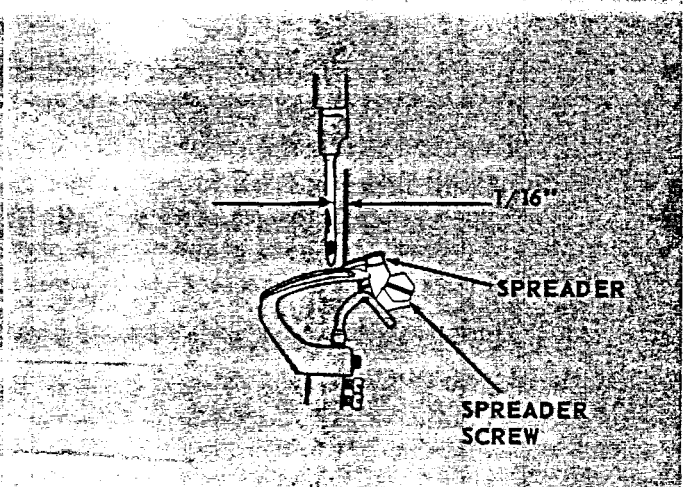


Fig. 34

POSITIONING SPREADER

Sidewise and Height Setting

When looper on its forward stroke is passing spreader

The point of the spreader should be exactly opposite top of thread groove at left side of looper.

The clearance between spreader point and looper should be approximately the double thickness of ordinary paper.

To adjust, loosen the two spreader holder set screws, Fig. 33. Move spreader and holder to correct position. Hold in position and tighten the setscrews.

Lengthwise Setting

When the point of the needle on its downward stroke is even with the point of the spreader, the clearance between the two points should be approximately 1/16 inch. To adjust, loosen spreader screw, Fig. 34, and move spreader forward or backward to correct position. Then tighten spreader screw.

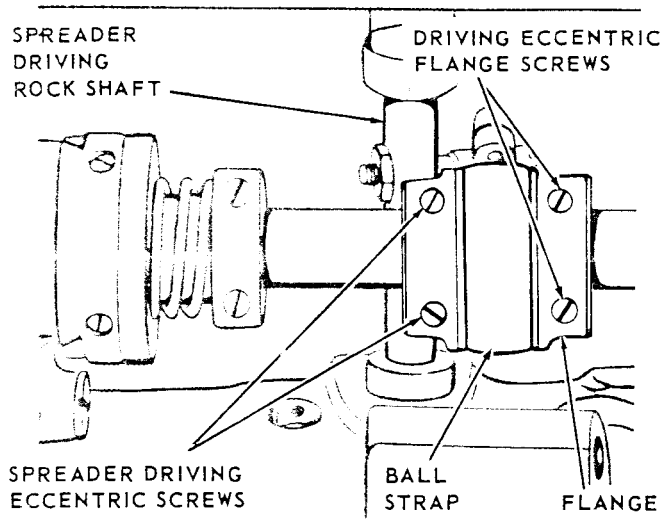


Fig. 35

CHANGING MOVEMENT OF SPREADER

The sidewise movement of the spreader may be adjusted for sewing under abnormal conditions. Under normal conditions, maximum spreader movement is generally used. To adjust, tilt machine back on its hinges, loosen the two spreader driving eccentric screws, Fig. 35, and the two spreader driving eccentric flange screws. Move eccentric to left to increase movement, or to right to decrease movement. When correctly positioned, tighten the two spreader driving eccentric screws first, hold flange against strap and tighten flange screws. Then refer to preceding information regarding positioning of spreader.

CAUTION: When increasing sidewise movement, allow sufficient clearance between spreader driving rock shaft, Fig. 35, and left side of eccentric ball strap. They should not touch when eccentric ball stud is in its highest position.

ADJUSTING NEEDLE THREAD TAKE-UP

The needle thread take-up and thread guide may be adjusted to increase or decrease the amount of thread drawn at the top of the needle bar stroke. To increase the amount, loosen thread take-up screw, Fig. 36, and raise take-up or loosen guide screw and lower the guide. To decrease the amount, reverse the adjustment by lowering the take-up or raising the guide.

For average sewing conditions, the guide should be set with upper end 5/8 inch above the guide screw. The thread take-up should be set with the lower end 1/2 inch below the bottom of its holder.

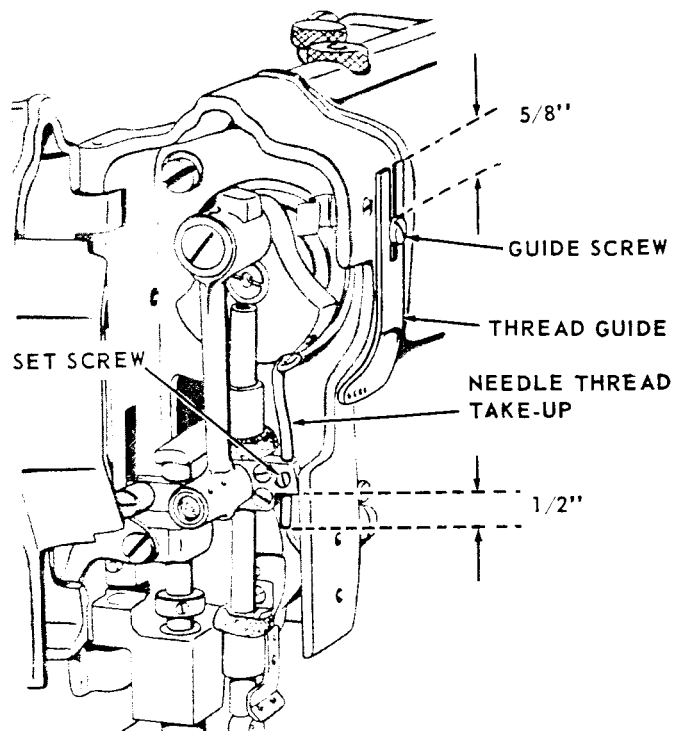


Fig. 36

ADJUSTING NEEDLE THREAD TENSION RELEASER

When correctly adjusted, the tension releaser should release tension on the needle thread when the presser foot is raised and allow full adjusted tension when presser foot is down. To adjust, loosen set screw, Fig. 37, and move tension releaser cap out for earlier release of tension or in for later release. Hold in position and tighten set screw. Should the tension releaser not release tension at the correct time after making the above adjustments, loosen the tension releaser plate screw and move plate sidewise to correct position. Then tighten screw.

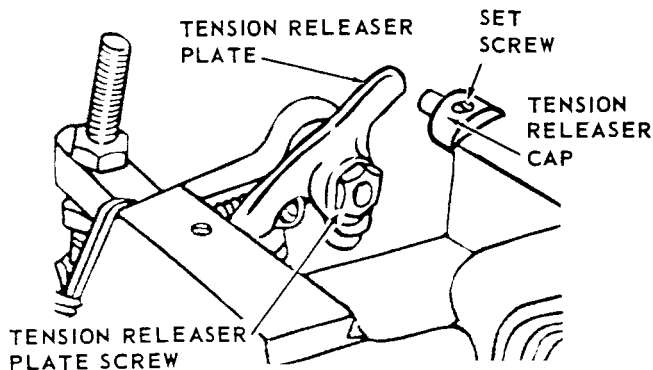


Fig. 37

ADJUSTING LOOPER THREAD TAKE-UP

The looper thread take-up and guide may be adjusted for handling more or less thread, according to thickness of material and length of stitch, and to change the ratio of looper thread in the finished stitch.

To change the amount of thread handled, loosen looper thread guide screw, Fig. 38, and looper thread take-up rod screw. Move thread guide and take-up rod to the left for more thread or to the right for less thread. Tighten the two screws making certain that take-up rod passes through the center of the guide yoke.

To change ratio of looper thread in finished stitch, loosen thread guide screw, Fig. 38, and lower the yoke or right end of thread guide for more thread. For less thread, raise end of guide. Hold in position and tighten guide screw.

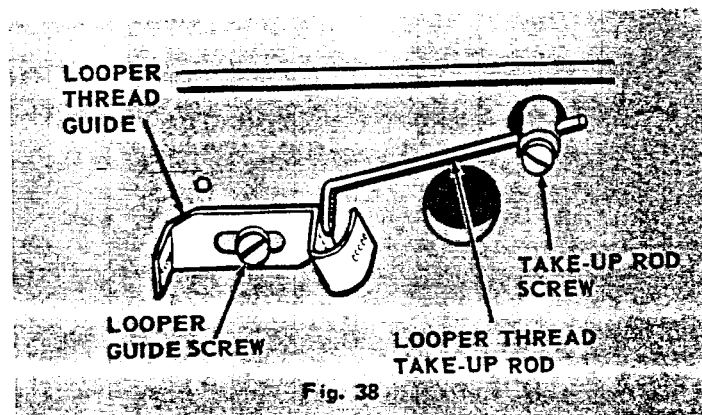
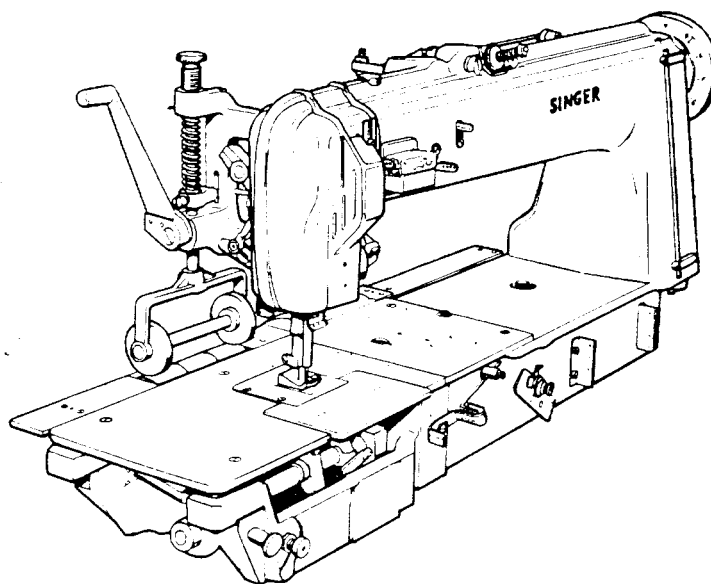


Fig. 38

Form 21490 (167)
Supplement to
Form 21331 and 21488

PARTS LIST AND INSTRUCTIONS FOR ADJUSTING
SINGER*
PULLER FEED KIT No. 32709
FOR USE WITH 320W194 MACHINE



THE SINGER COMPANY

Copyright © 1967 The Singer Company
All Rights Reserved Throughout the World

*A Trademark of THE SINGER COMPANY

**NUMERICAL LIST OF PARTS
FOR PULLER FEED KIT NO. 32709**

PART NO.	DESCRIPTION	PART NO.	DESCRIPTION
913(803)	Puller Feed Roll (upper) Bar Spring Adjusting Thumb Screw	200202(806)	Puller Feed Roll (upper) Bar Lifter Roller Screw Stud
1149(830)	Puller Feed Clutch Sleeve Set Screw (2)	200335(803)	Puller Feed Driving Lever Hinge Stud Set Screw (2)
1257(803)	Puller Feed Driving Link Hinge Screw	200354(803)	Puller Feed Roll (upper) Bracket Set Screw
1620(819)	Puller Feed Driving Link Hinge Screw Nut	200355(819)	Puller Feed Driving Connection Hinge Pin Set Screw
29481	Anti-Reversing Roller Clutch Releasing Latch Hinge Pin	200362(803)	Puller Feed Clutch Driving Flange Set Screw (2)
29482	Anti-Reversing Roller Clutch Releasing Latch Stud Pin	200362(803)	Puller Feed Clutch Retaining Flange Set Screw (2)
32466	Puller Feed Cover Plate (center)	200378(803)	Puller Feed Roll (upper) Shaft Collar Set Screw (4)
32467	Puller Feed Cover Plate (left)	200378(803)	Puller Feed Roll (lower) Shaft Collar Set Screw (8)
32468	Puller Feed Roll (upper) Bar Bracket with 268433	200382(803)	Puller Feed Driving Eccentric Adjusting Disc Spring Collar Set Screw (2)
32469	Puller Feed Roll (upper) Bracket with 200354(803)	200386(803)	Puller Feed Clutch Retaining Flange Holding Screw (2)
32472	Puller Feed Roll (upper) Shaft	200393(803)	Puller Feed Driving Lever Hinge Stud Collar Set Screw (2)
32708	Puller Feed Roll (upper, nylon) with two 141418(869) (2)	200397(819)	Puller Feed Driving Link Hinge Pin Set Screw
32710	Anti-Reversing Roller Clutch Releasing Latch Stud Socket Support	200571(804)	Puller Feed Cover Plate Screw (6)
58611	Puller Feed Clutch Roller Wear Plate (6)	200584(804)	Puller Feed Cover Plate (right) Screw (2)
68151	Puller Feed Clutch Roller (6)	201011(819)	Puller Feed Roll (upper) Bar Lifter Cap Screw
68152	Puller Feed Clutch Roller Plunger (6)	201524(805)	Puller Feed Roll (upper) Bar Bracket Support Screw Nut (2)
68153	Puller Feed Clutch Roller Spring (6)	201892	Puller Feed Roll (upper) Bar Lifter Roller
68155	Puller Feed Clutch Sleeve with two 1149(830)	203244	Puller Feed Driving Lever Hinge Stud Collar with two 200393(803)
131176	Puller Feed Roll (lower) Clutch Brake	232866	Bed Hinge Connection Bracket Position Pin (8)
131979	Puller Feed Roll (lower) with two 140279(830) (3)	241763	Puller Feed Driving Eccentric Friction Plate Screw Set Screw Packing (2)
140279(830)	Puller Feed Roll (lower) Set Screw (6)	267623	Puller Feed Driving Eccentric Friction Plate
141418(869)	Puller Feed Roll (upper, nylon) Set Screw (4)	268060	Puller Feed Driving Connection
141426(805)	Puller Feed Roll (upper) Bar Bracket Support Screw (2)	268061	Puller Feed Driving Connection 268060 with 268063
200017(803)	Puller Feed Roll (upper) Bar Bracket Screw		
200017(803)	Bed Hinge Connection Bracket Screw (8)		
200050(803)	Puller Feed Roll (upper) Bar Lifter Cam Plate Screw (2)		
200078(806)	Anti-Reversing Roller Clutch Releasing Latch Stud Socket Support Screw (2)		

TO ADJUST THE PULLER FEED:

The Puller Feed Kit installed on the SINGER 320W194 long arm; alternating presser machine is factory-set to feed material slightly faster than does the compound feed of the machine so that the resultant "pulling" action of the feed rolls produces a slight tension on the material between these rolls and the compound feed itself.

The puller feed mechanism is actuated by an eccentric on the bed shaft. When changing stitch length, the amount of its feeding movement can be regulated automatically in relation to the compound feed movement as follows:

Press in on the knurled plunger at the top of the machine and, at the same time, turn the machine hand-wheel over toward the operator until the plunger

enters a notch in the adjustable eccentric on the arm shaft.

Turn plunger to right or left to lock it in position.

Press buttons A and B simultaneously (shown in the bed of the machine) and **HOLD**. At the same time, turn the hand-wheel over toward the operator to increase stitch length, away from the operator to shorten stitch length as desired. The letter-designation on the stitch indicator plate opposite the arrow shows stitch length attained.

Release button A and B and turn the knurled plunger to the left or right until it springs outward and releases the eccentric. The machine is then ready for operation.

